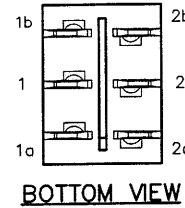
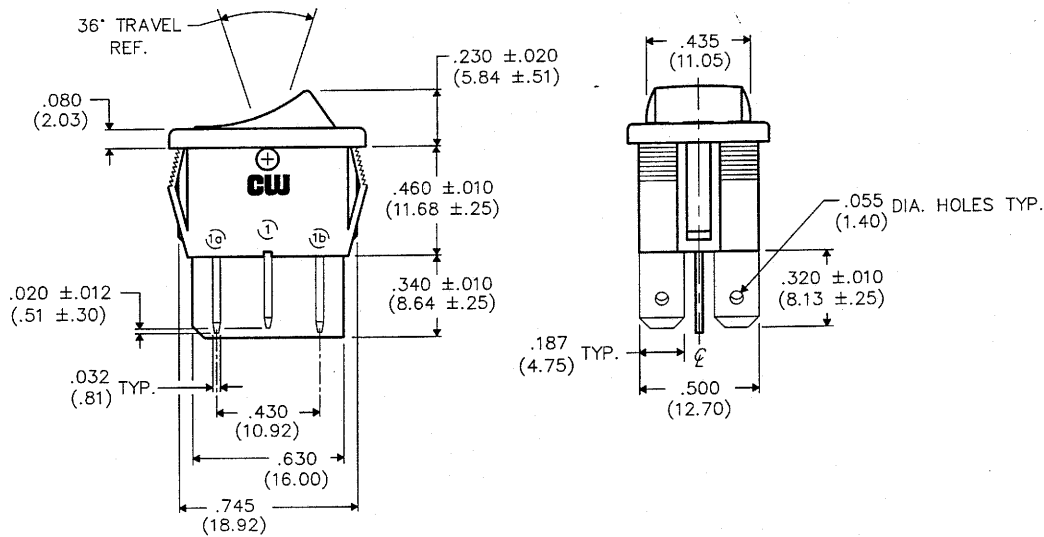
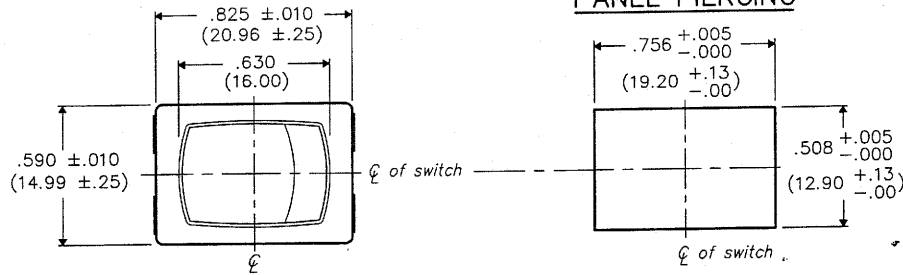


DIMENSIONS IN INCHES (MILLIMETERS)
DO NOT SCALE DRAWING

Dwg. No.

GRS-4022-0010

PANEL PIERCING



E
D
C
B
A

1 2 3 4 5 6 7 8 9 10

FORM-B4
REVISIONS
RELEASED: DGW 8/29/2005
SEP 20 2005

PDF File Made (QR)	CW INDUSTRIES Southampton, Pa. 18966		Title: ROCKER SWIDGET ASSEMBLY (POP IN) D.P.- D.T.	
	TOLERANCES UNLESS OTHERWISE SPECIFIED		METRIC	
	2 Place Decimal ±.010	1 Place Dec. ±.25mm		
	3 Place Decimal ±.005	2 Place Dec. ±.13mm		
Angles ±1'				Division: SWITCH
Made for: CW IND.		Dwg. No. GRS-4022-0010		
Drawn by: DGW 8/29/2005				
Checked by: <i>G. Guld</i> 9/19/05				
Approval: <i>A. Kama</i> 9/19/05				