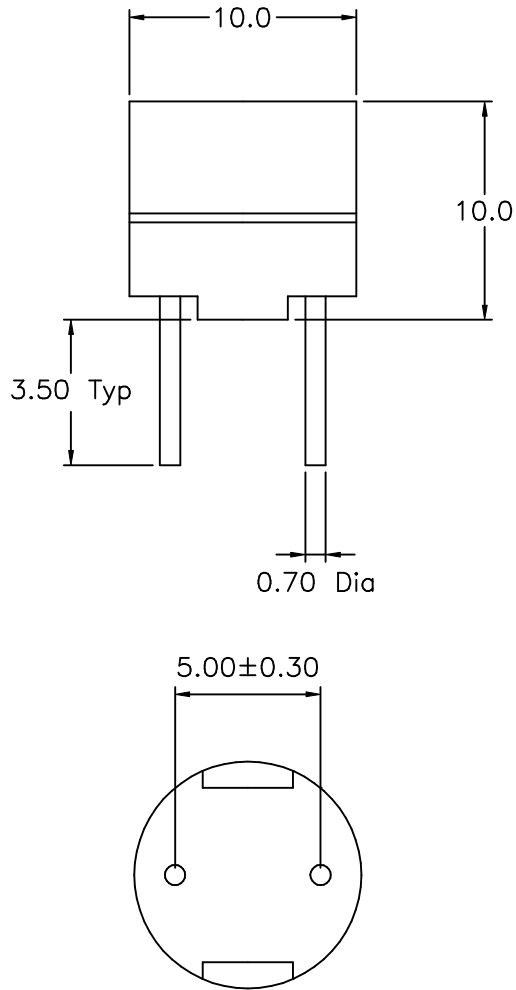
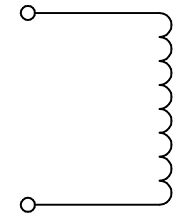


**1. Mechanical Dimensions:**



**2. Schematic:**



**3. Electrical Specifications:**

INDUCTANCE: 1mH ±20% @1KHz

IDC: 390mA Max

DC RESISTANCE: 1.50 Ohms Max

**Note:**

1. Solderability: Leads shall meet MIL-STD-202, Method 208D for solderability.
2. Flammability: UL94V-0,
3. ASTM oxygen index: > 28% ,
4. Temperature rating: 155°C. UL file E151556,
5. Operating Temperature Range: -30°C to +100°C

Doc. Rev. A/1

<b>XFMRs Inc.</b>	Title: Power Inductor		
	UNLESS OTHERWISE SPECIFIED	P/N: XFRCR110D-102M	REV. A
TOLERANCES: .xx ±0.25	DWN.	廖玉坤	Feb-15-01
Dimensions in MM	CHK.	李清儿	Feb-15-01
SHEET 1 OF 1	APP.	Isaiah M	Feb-15-01