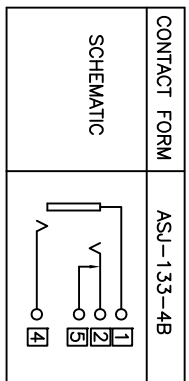
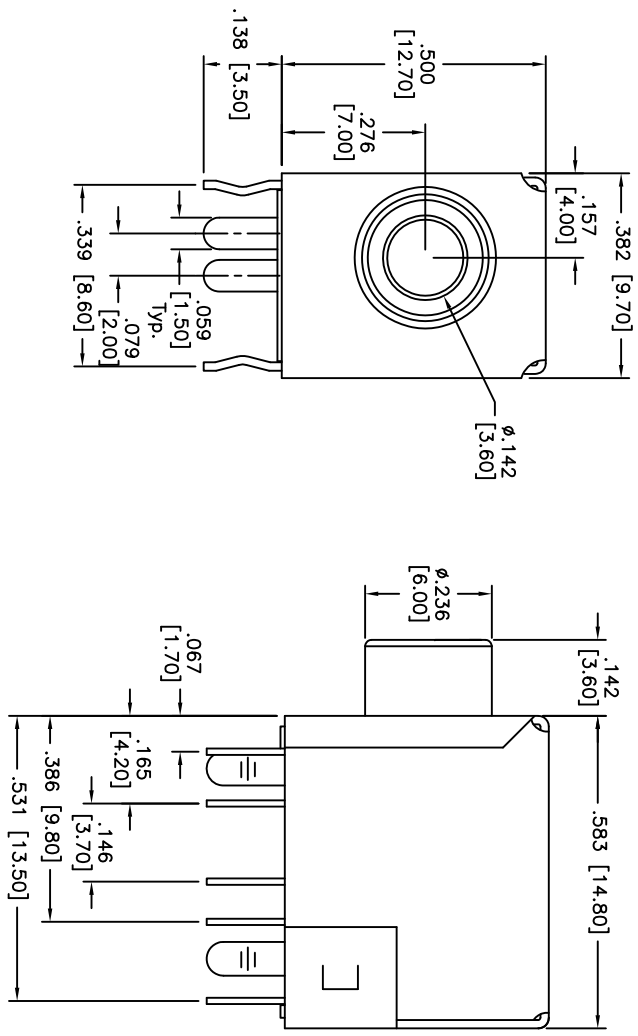


Rev	AWO #	Description	Date	Appr
-		RELEASED	10/28/10	

APPROVED: \_\_\_\_\_  
 DATE: \_\_\_\_\_ TITLE: \_\_\_\_\_



**SPECIFICATIONS:**

Material: \_\_\_\_\_  
 Housing: PBT, rated UL94V-0  
 Contacts: Copper Alloy  
 Shell: Steel, Nickel plated  
 Plating: \_\_\_\_\_  
 Tin over Copper underplate  
 Electrical:  
 Rating: DC 30V, 1A max.  
 Contact Resistance: 30 mOhm Max  
 Insulation Resistance: 100 Mohm Min@ DC 250V  
 Dielectric Withstanding Voltage: 500V AC For 1 Minute.  
 Temperature range:  
 Operating temperature: -25°C to +70°C  
 Environmental:  
 Lead free, RoHS compliant.  
 Recommended soldering temp: 235°C for 5 sec.

**RECOMMENDED**

UNLESS OTHERWISE SPECIFIED ALL DIMENSIONS ARE INCHES [MM] TOLERANCES: EXCEPT AS NOTED	
INCHES	± .10
.XX	± .020
.XXX	± .015
.XXX	± .010
APPROVALS	
DRAWN	DY
CHECKED	
APPROVED	

TITLE		3.5MM STEREO PHONE JACK	
ADAM TECH		909 Railway Avenue, Union, NJ 07083 Phone: 908-687-5000 Fax: 908-687-5710	
SIZE	PART NO.	ASJ-133-4B	REV.
X			-
REF:	SCALE:	NTS	SHEET 1 OF 1