



## FEATURES

- RoHS compliant
- Radial format
- Up to 16.2A I<sub>DC</sub>
- 1.0µH to 1.0mH
- Low DC resistance
- PCB mounting
- Fully tinned leads
- Compatible with RoHS soldering systems
- Backward compatible with Sn/Pb soldering systems
- Custom parts available

## DESCRIPTION

The 1500 Series is a general purpose range of inductors suitable for low to medium current applications such as power supply and other general purpose filtering designs. The central hole allows mechanical fixing with a non-magnetic screw.

## SELECTION GUIDE

| Order Code | Inductance,<br>(10kHz, 0.1V <sub>AC</sub> ) | DC Current <sup>1</sup> | DC<br>Resistance | Q @ f kHz |      | SRF  | Lead Dimensions<br>(See Package<br>Specifications) |        |
|------------|---|-------------------------|------------------|-----------|------|------|--|--------|
|            | ± 10%<br>µH                                 | Max.<br>A               | Max.<br>Ω        | Nom.      |      | Nom. | Dim. A   | Dim. B |
|            |   |                         |                  | Q         | f    | MHz  | mm   | mm     |
| 15102C     | 1.0 ± 20%                                   | 16.2                    | 2.76             | 151       | 1000 | 142  | 1.18   | 13.6   |
| 15152C     | 1.5 ± 20%                                   | 14.9                    | 3.48             | 155       | 1000 | 108  | 1.18   | 13.6   |
| 15222C     | 2.2 ± 20%                                   | 15.0                    | 4.20             | 127       | 1000 | 82   | 1.18   | 13.6   |
| 15332C     | 3.3 ± 20%                                   | 11.8                    | 5.76             | 128       | 1000 | 68   | 1.18   | 13.6   |
| 15472C     | 4.7 ± 20%                                   | 11.7                    | 6.48             | 131       | 1000 | 60   | 1.18   | 13.6   |
| 15682C     | 6.8 ± 20%                                   | 10.2                    | 8.04             | 133       | 1000 | 46   | 1.18   | 14.0   |
| 15103C     | 10  | 9.01                    | 10.6             | 112       | 1000 | 30   | 1.18   | 14.5   |
| 15153C     | 15  | 7.44                    | 15.5             | 109       | 1000 | 19   | 1.06   | 14.2   |
| 15223C     | 22  | 6.80                    | 18.8             | 102       | 1000 | 11   | 1.06   | 13.6   |
| 15333C     | 33  | 5.08                    | 31.2             | 107       | 1000 | 8    | 0.90   | 13.8   |
| 15473C     | 47  | 4.04                    | 45.6             | 104       | 1000 | 5    | 0.80   | 14.2   |
| 15683C     | 68  | 3.33                    | 70.3             | 100       | 1000 | 4    | 0.71   | 13.6   |
| 15104C     | 100   | 2.62                    | 110              | 89        | 1000 | 3    | 0.63   | 13.8   |
| 15154C     | 150   | 2.28                    | 149              | 126       | 800  | 2    | 0.60   | 13.6   |
| 15224C     | 220   | 2.08                    | 185              | 69        | 20   | 2    | 0.60   | 14.0   |
| 15334C     | 330   | 1.71                    | 263              | 68        | 20   | 1.6  | 0.56   | 13.8   |
| 15474C     | 470   | 1.40                    | 389              | 76        | 20   | 1.3  | 0.50   | 14.2   |
| 15684C     | 680   | 1.12                    | 574              | 86        | 25   | 1.0  | 0.45   | 14.0   |
| 15105C     | 1000  | 0.91                    | 887              | 96        | 30   | 0.8  | 0.40   | 13.6   |

## ABSOLUTE MAXIMUM RATINGS

|                                      |                 |
|--------------------------------------|-----------------|
| Operating free air temperature range | -40°C to +85°C  |
| Storage temperature range            | -40°C to +125°C |

## SOLDERING INFORMATION<sup>2</sup>

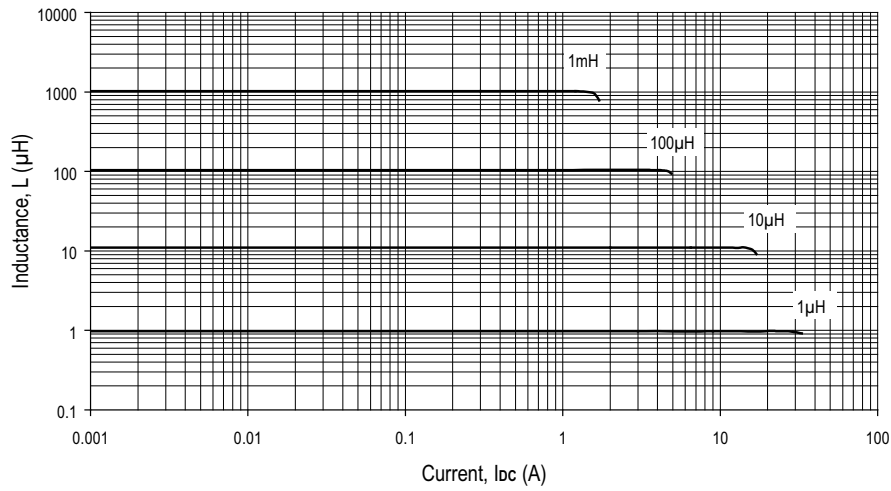
|                              |                      |
|------------------------------|----------------------|
| Peak wave solder temperature | 260°C for 10 seconds |
| Pin finish                   | Pure tin dip         |

All specifications typical at T<sub>A</sub>=25°C

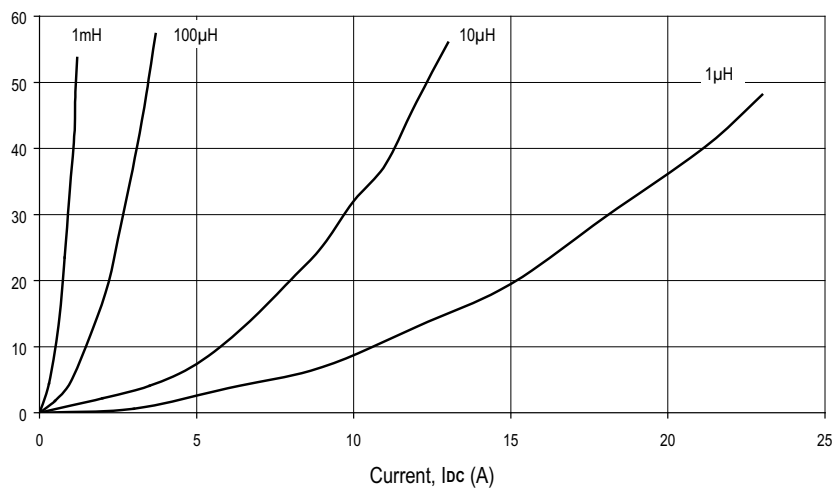
- 1 Maximum DC current occurs when either the inductance falls to 75% of its nominal value or when its temperature rise reaches 40°C, whichever is sooner.
- 2 For further information, please visit [www.murata-ps.com/rohs](http://www.murata-ps.com/rohs)



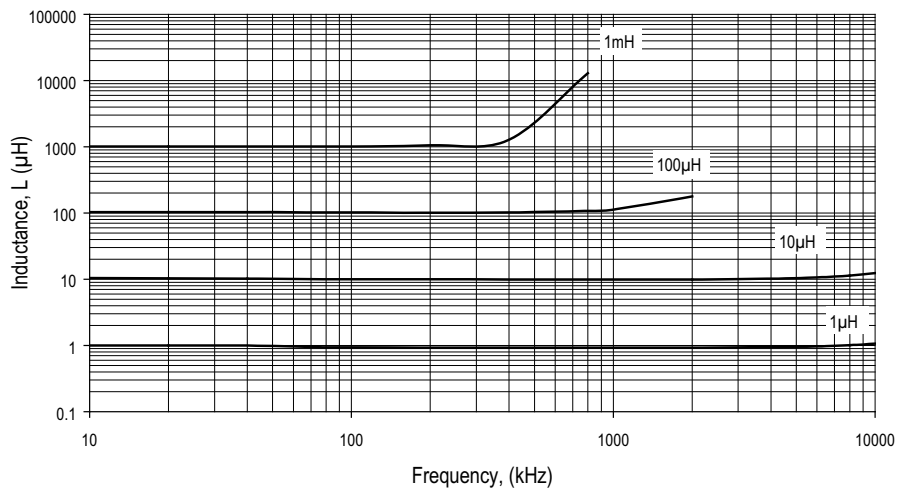
**INDUCTANCE Vs CURRENT**



**TEMPERATURE Vs CURRENT**

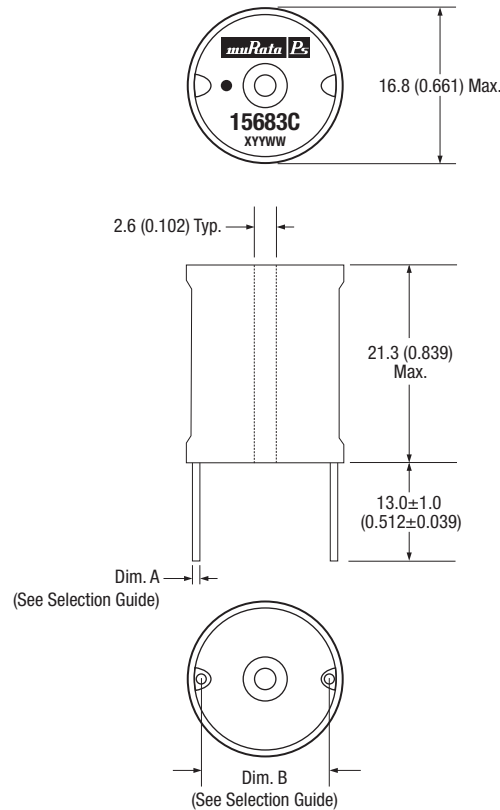


**INDUCTANCE Vs FREQUENCY**



**PACKAGE SPECIFICATIONS**

**MECHANICAL DIMENSIONS**



All dimensions in mm (inches). Package weight 13-18g Typ.  
Dot signifies the innermost turn of the winding.

**PACKAGING DETAILS**

Supplied in cartons (40 pieces per carton)