

Linear Systems replaces discontinued Siliconix SST175

The SST175 is a single P-Channel JFET switch

This p-channel analog switch is designed to provide low on-resistance and fast switching. When used in combination with the complimentary J/SST111 n-channel family, the SST175 simplifies series-shunt switching applications

SST175 Benefits:

- Low Error Voltage
- High-Speed Analog Circuit Performance
- Negligible "Off-Error," Excellent Accuracy
- Good Frequency Response
- Eliminates Additional Buffering

SST175 Applications:

- Analog Switches
- Choppers
- Sample-and-Hold
- Normally "On" Switches
- Current Limiters

FEATURES

DIRECT REPLACEMENT FOR SILICONIX SST175

LOW ON RESISTANCE $r_{DS(on)} \leq 125\Omega$

LOW GATE OPERATING CURRENT $I_{D(off)} = 10pA$

FAST SWITCHING $t_{(ON)} 25ns$

ABSOLUTE MAXIMUM RATINGS
@ 25°C (unless otherwise noted)

Maximum Temperatures

Storage Temperature -55°C to +150°C

Operating Junction Temperature -55°C to +135°C

Maximum Power Dissipation

Continuous Power Dissipation 350mW

MAXIMUM CURRENT

Gate Current (Note 1) $I_G = -50mA$

MAXIMUM VOLTAGES

Gate to Drain Voltage $V_{GDS} = 30V$

Gate to Source Voltage $V_{GSS} = 30V$

SST175 ELECTRICAL CHARACTERISTICS @ 25°C (unless otherwise noted)

SYMBOL	CHARACTERISTIC	MIN	TYP.	MAX	UNITS	CONDITIONS
BV_{GSS}	Gate to Source Breakdown Voltage	30	--	--	V	$I_G = -1\mu A, V_{DS} = 0V$
$V_{GS(F)}$	Gate to Source Forward Voltage	--	-0.7	--		$I_G = -1mA, V_{DS} = 0V$
$V_{GS(off)}$	Gate to Source Cutoff Voltage	3	--	6		$V_{DS} = -15V, I_D = -10nA$
I_{DSS}	Drain to Source Saturation Current	-7	--	-70	nA	$V_{DS} = -15V, V_{GS} = 0V$
I_{GSS}	Gate Reverse Current	--	0.01	1		$V_{GS} = 20V, V_{DS} = 0V$
I_G	Gate Operating Current	--	0.01	--		$V_{DG} = -15V, I_D = -1mA$
$I_{D(off)}$	Drain Cutoff Current	--	-0.01	-1		$V_{DS} = -15V, V_{GS} = 0V$
$r_{DS(on)}$	Drain to Source On Resistance	--	--	125		$V_{GS} = 0V, V_{DS} = -0.1V$

SST175 SWITCHING CHARACTERISTICS @ 25°C (unless otherwise noted)

SYMBOL	CHARACTERISTIC	UNITS	CONDITIONS
$t_{d(on)}$	Turn On Time	10	ns
t_r	Turn On Rise Time	15	
$t_{d(off)}$	Turn Off Time	10	
t_f	Turn Off Fall Time	20	
			See Switching Circuit

Note 1 - Absolute maximum ratings are limiting values above which SST175 serviceability may be impaired.

SST175 SWITCHING CIRCUIT PARAMETERS

V_{DD}	-6V
V_{GG}	12V
R_L	750Ω
R_G	220Ω
$I_{D(on)}$	-7mA

Micross Components Europe

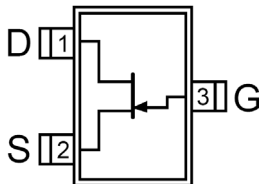


Tel: +44 1603 788967

Email: chipcomponents@micross.com

Web: <http://www.micross.com/distribution>

SOT-23 (Top View)

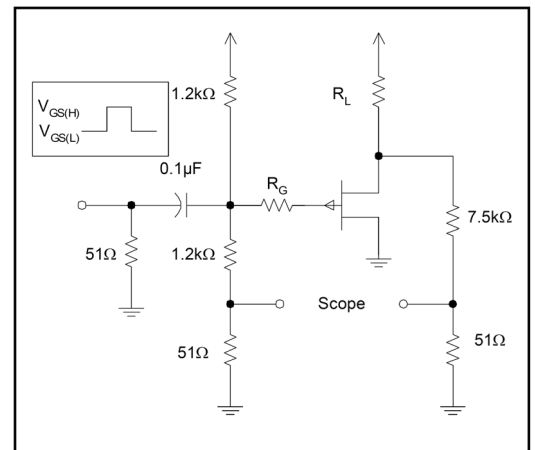


Available Packages:

SST175 in SOT-23
SST175 in bare die.

Please contact Micross for full package and die dimensions

SWITCHING CIRCUIT



Information furnished by Linear Integrated Systems and Micross Components is believed to be accurate and reliable. However, no responsibility is assumed for its use; nor for any infringement of patents or other rights of third parties which may result from its use. No license is granted by implication or otherwise under any patent or patent rights of Linear Integrated Systems.