

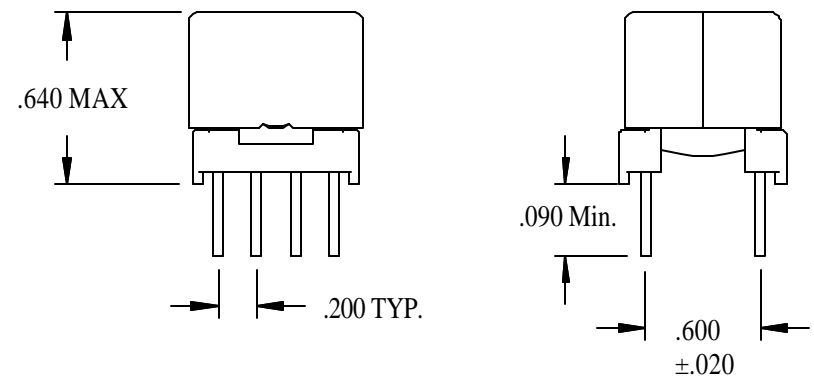
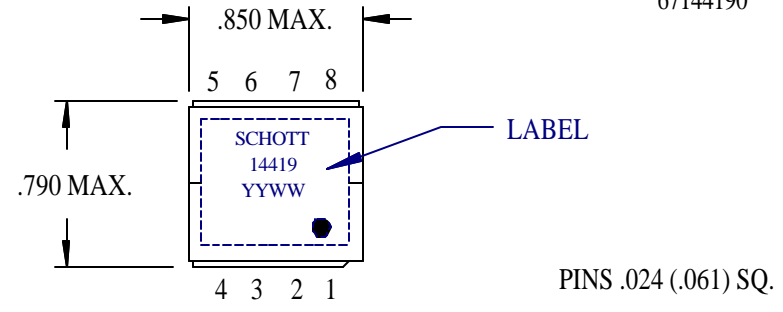
TITLE LM259X Inductor 100 uHY 2.50 ADC	SCHOTT CORPORATION 1000 PARKERS LAKE ROAD WAYZATA, MN 55391	Agency Approval N/A	PART NUMBER 34565	
		REV C	PAGE 1	

Catalog Number :
67144190

I) ELECTRICAL CHARACTERISTICS

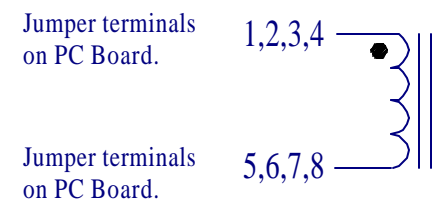
Specifications at room temperature (ref. 25°C)

1. INDUCTANCE: @ 10 kHz, 0.1 Vrms,
(1 thru 4 to 5 thru 8) = 100 - 130 μH
2. CURRENT RATING 2.50 Amps peak
3. DC RESISTANCE: Ohms
(1 thru 4 to 5 thru 8) = 0.07 Ohms Max.
4. SRF: 2.0 MHZ Min.
5. HIPOT: 500 VDC
WINDING TO CORE
2 SEC., 5 mA MAX



GENERAL NOTES:

1. Current rating is the current at which the inductance is a minimum of 90% of the rated value.
2. All pins may not be used electrical schematic is based on the standard footprint.



TOLERANCES UNLESS OTHERWISE NOTED	2 PLACE	3 PLACE	ANGLE
	+ .03	+ .010	+ °