

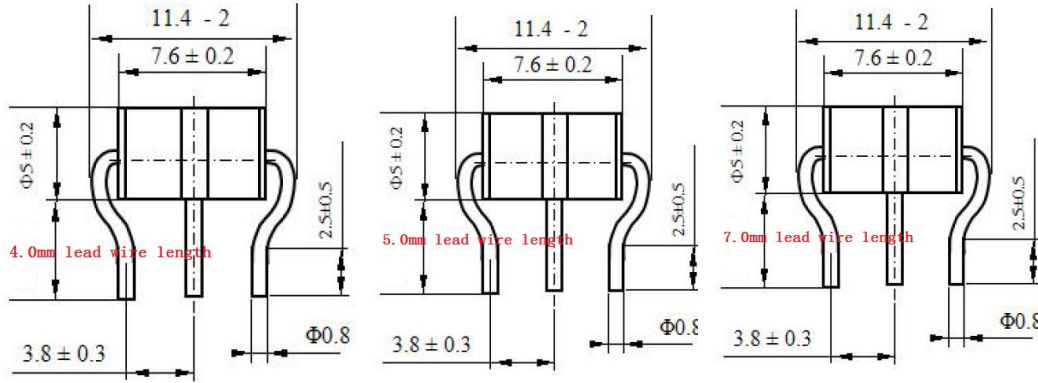
3-Electrode Gas Discharge Tubes

5KA

Radial Lead wire



1: Dimension(mm)



2: Main Applications

- PCI Cards protection
- Telephone/Fax/Modem protection
- single line protection
- ADSL/XDSL Splitter, Power Supply
- Surge Protection Device/Surge Protector

3: Features

- 100% Lead-Free (RoHS Compliant)
- Non-Radioactive
- Low capacitance: ≤1pF
- Small size : Φ5x7.6mm
- Safety certification: File number: E505240

4 Electrical Characteristics

Part Number	DC Spark-over Voltage	Impulse Spark-over Voltage	Impulse Spark-over Voltage	Insulation Resistance	Impulse discharge current	Impulse Life	AC discharge current	Delivery time	UL Certificate
	@100V/S	@100V/μs	@1KV/μs	GΩ	8/20μs 10 Times	300 hits 10x1000μs	50Hz, 1s 10times	days	UL497B
HA3R5-75	75V ±20%	≤500V	≤ 600V	>1GΩ	5KA	100A	5A	15days	E505240
HA3R5-90	90V ±20%	≤500V	≤ 600V	>1GΩ	5KA	100A	5A	15days	E505240
HA3R5-140	140V±20%	≤500V	≤ 600V	>1GΩ	5KA	100A	5A	15days	E505240
HA3R5-150	150V±20%	≤500V	≤ 600V	>1GΩ	5KA	100A	5A	15days	E505240
HA3R5-200	200V±20%	≤600V	≤ 700V	>1GΩ	5KA	100A	5A	15days	E505240
HA3R5-230	230V±20%	≤600V	≤ 700V	>1GΩ	5KA	100A	5A	15days	E505240
HA3R5-250	250V±20%	≤600V	≤ 700V	>1GΩ	5KA	100A	5A	15days	E505240
HA3R5-300	300V±20%	≤800V	≤ 900V	>1GΩ	5KA	100A	5A	15days	E505240
HA3R5-350	350V±20%	≤900V	≤ 1000V	>1GΩ	5KA	100A	5A	15days	E505240
HA3R5-400	400V±20%	≤900V	≤ 1000V	>1GΩ	5KA	100A	5A	15days	E505240
HA3R5-420	420V±20%	≤900V	≤ 1000V	>1GΩ	5KA	100A	5A	15days	E505240
HA3R5-470	470V±20%	≤1100V	≤ 1200V	>1GΩ	5KA	100A	5A	15days	E505240
HA3R5-500	500V±20%	≤1100V	≤ 1200V	>1GΩ	5KA	100A	5A	15days	E505240
HA3R5-550	550V±20%	≤1300V	≤ 1400V	>1GΩ	5KA	100A	5A	15days	E505240
HA3R5-600	600V±20%	≤1300V	≤1400V	>1GΩ	5KA	100A	5A	15days	E505240
HA3R5-800	800V±20%	≤1500V	≤1600V	>1GΩ	5KA	100A	5A	15days	E505240

3-Electrode Gas Discharge Tubes

5KA



1:At delivery AQL 0.65 leave II Military Standard 105 E

2:In ionized mode

3:Test according to ITU-T Rec.k.12

Environmental resistance

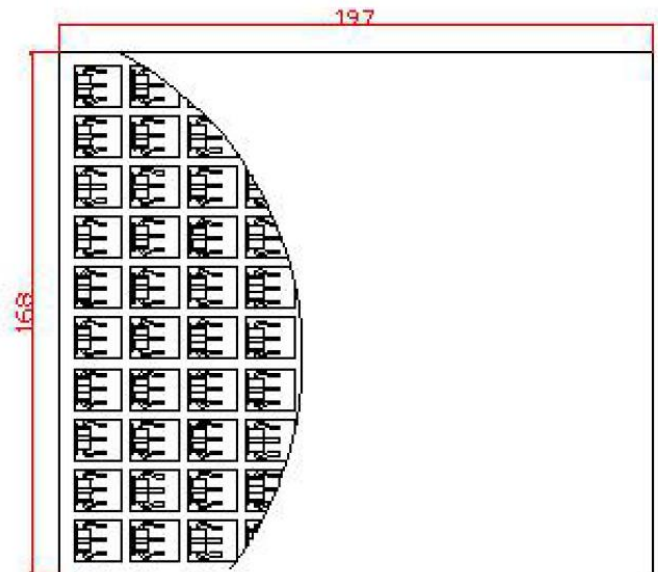
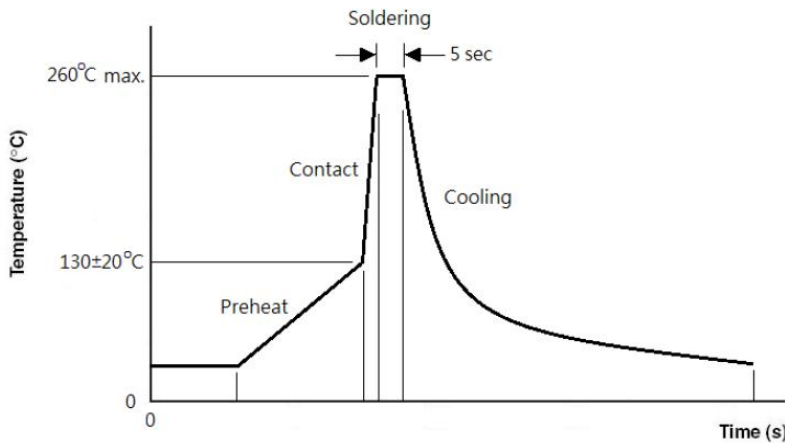
Storage temperature:	-40°C---+90°C
Operating temperature:	-40°C---+90°C
Electrode:	Tin Plated

Example Part Number: HA3R5-90

HA	=	HUAAN
3	=	3 Electrode device
R	=	Gas Discharge Tube
5	=	5mm Diameter
90	=	90V
Blank	=	Axial Lead Wire

Reflow Soldering Curve

Packaging Information



Packaging Quantity

Part Number	Quantity	
	Per Tray	Per Carton
HA3R5-xxx Series	100PCS	5000PCS