

# PNP Series Sealed Pushbutton Switch



Pushbutton

## Features/Benefits

- IP68 sealed to endure harsh environments
- 1,000,000 life cycle
- Longer solder leads for ease of wire installation
- Multiple housing styles
- Up to 5A resistive load
- Wirelead options available
- RoHS compliant

## Typical Applications

- Control Grips
- Off-Road Panels
- Heavy Equipment
- Industrial Instruments
- Lifts
- Conveyor Controls



## Specifications

FUNCTION: SPST, SPDT Double Break (Form Z) Momentary  
 CONTACT ARRANGEMENT: N.O. and N.C.  
 MOUNTING TYPE: Threaded front mount  
 TORQUE SPEC FOR THREADED BODY: Do not exceed 10 in-lbs (1.35 N-m)

DIELECTRIC STRENGTH: 1000 V AC for 1 min.  
 INSULATION RESISTANCE: 1 G  $\Omega$  @ 500 VDC  
 INITIAL CONTACT RESISTANCE 50 m $\Omega$  max (without wire leads)  
 BOUNCE TIME: <5 ms

## Mechanical

OPERATING LIFE: 1,000,000 cycles  
 TOTAL TRAVEL: 2 mm max.  
 OPERATING POINT 0.9  $\pm$  0.25 mm  
 OVER TRAVEL: 0.25 mm min.  
 OPERATING FORCE: 8N  $\pm$  1.5N  
 VIBRATION: 10-500 Hz 10g Max  
 SHOCK: 50g 11ms sawtooth wave

## Materials

HOUSING: PBT/PC  
 BASE: PBT  
 CAP: PBT  
 ACTUATOR: PBT  
 INTERNAL SEAL: Silicone rubber  
 TERMINALS: Copper with silver nickel inlay, silver plating  
 MOVABLE CONTACT: Copper alloy, gold over silver plating  
 TERMINAL SEAL: Epoxy

## Electrical

CONTACT RATING:  
 Option "Q" Silver  
 5A/32 VDC resistive (25,000 cycles)  
 3A/32 VDC resistive (25,000 cycles)  
 Option "G" Gold over Silver  
 10mA/5 VDC resistive (1,000,000 cycles)

## Operating Environment

OPERATING TEMPERATURE: -40°C to +85°C  
 ESD PROTECTION: 15KV min.

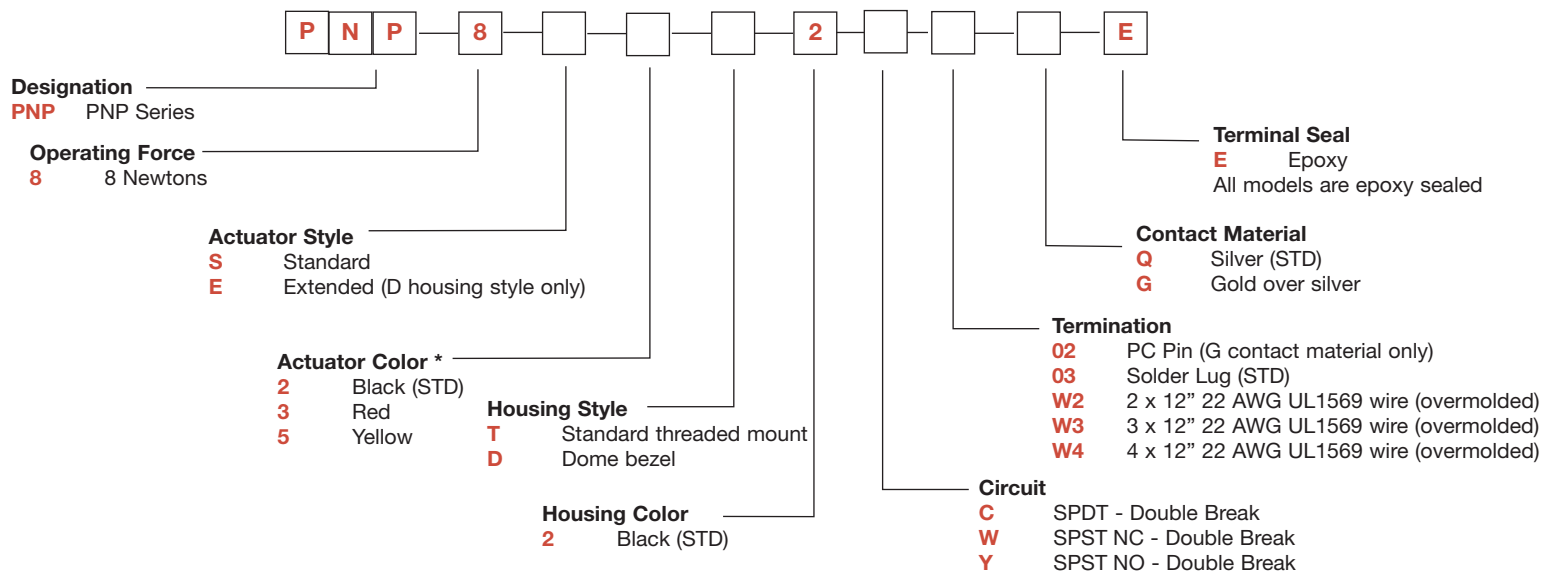
## Process Environment

SEALING: IP68

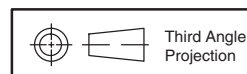
**NOTE:** Specifications and materials listed above are for switches with standard options. For information on specific and custom switches, please contact Customer Service.

## Build-A-Switch

To order, simply select desired option from each category and place in the appropriate box.



\* Additional colors available, please contact Customer Service



Dimensions are shown: mm (inches)  
 Specifications and dimensions subject to change

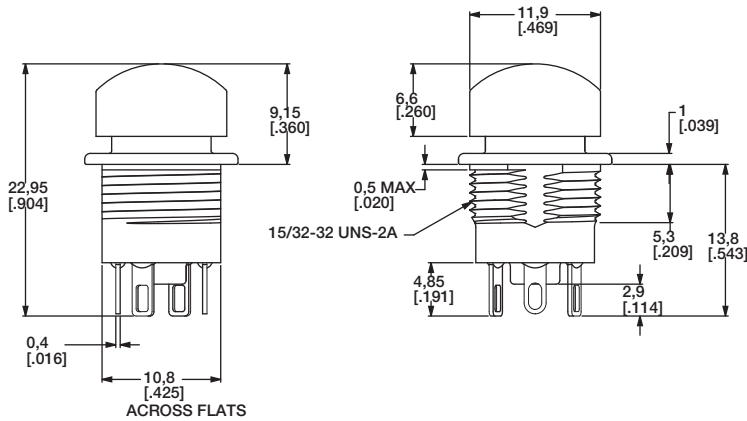


# PNP Series Sealed Pushbutton Switch

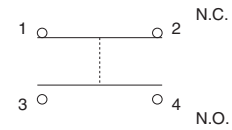
A

Pushbutton

## STANDARD VIEW



### ELECTRICAL SCHEMATIC



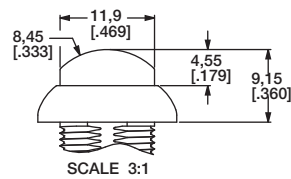
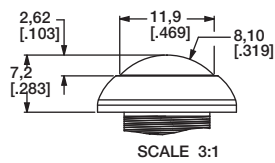
## OPERATING FORCE

| OPTION CODE | OPERATING FORCE |
|-------------|-----------------|
| <b>8</b>    | 8 N             |

## ACTUATOR STYLE

**S** STANDARD

**E** EXTENDED (D HOUSING STYLE ONLY)



## ACTUATOR COLOR

| OPTION CODE | ACTUATOR COLOR |
|-------------|----------------|
| <b>2</b>    | Black          |
| <b>3</b>    | Red            |
| <b>5</b>    | Yellow         |

# PNP Series Sealed Pushbutton Switch

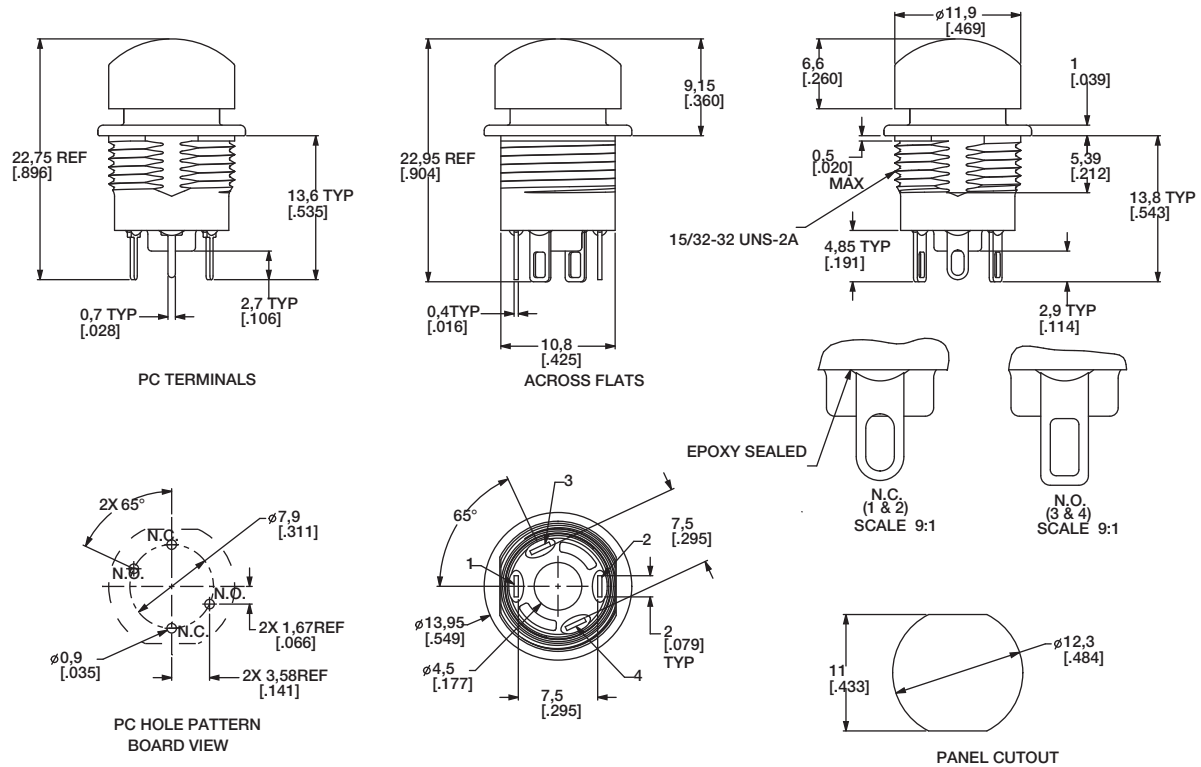


A

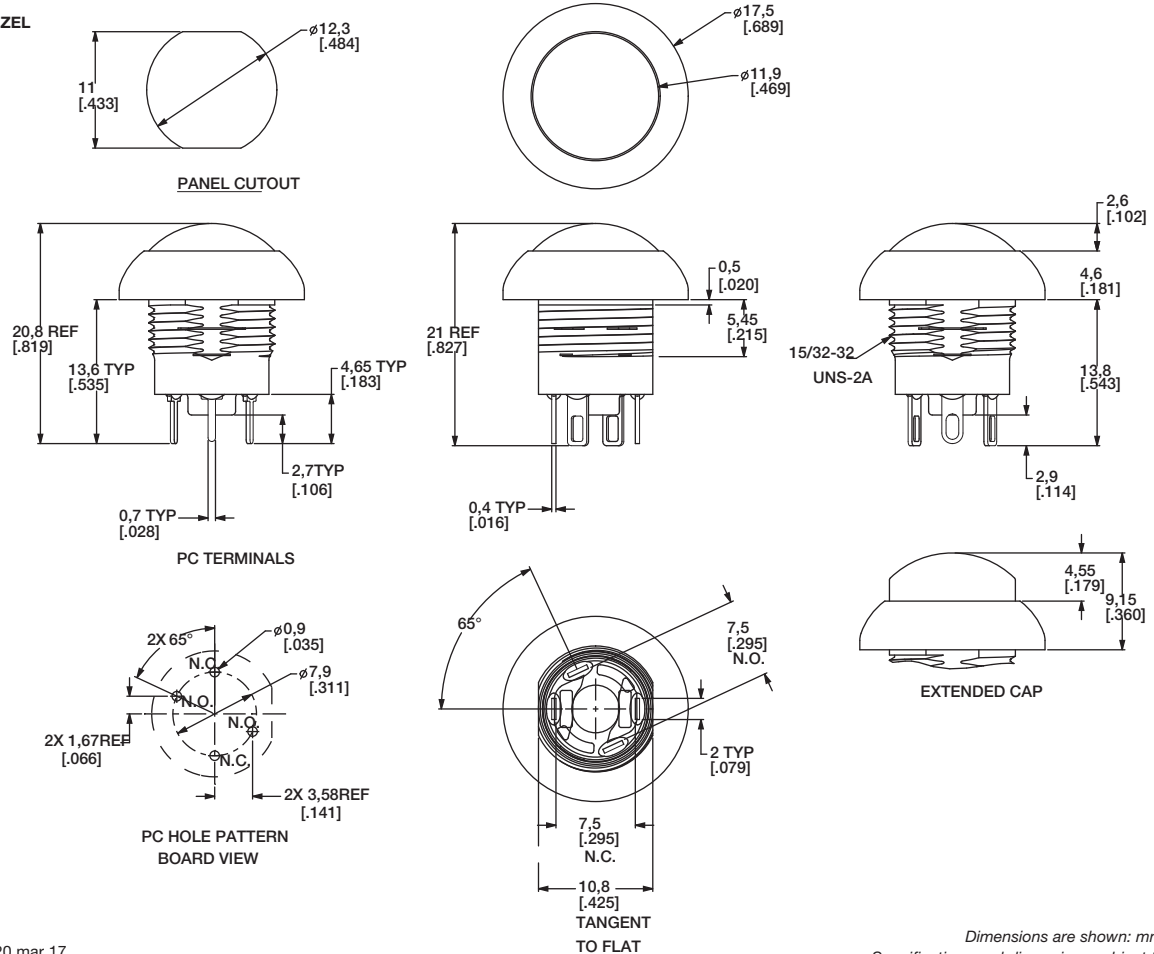
Pushbutton

## HOUSING STYLE

### T STANDARD THREADED MOUNT



### D DOME BEZEL





# PNP Series Sealed Pushbutton Switch

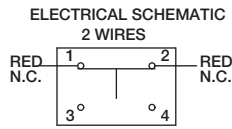
Pushbutton  
A

## HOUSING COLOR

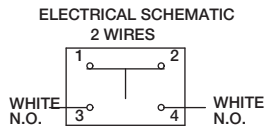
| OPTION CODE | COLOR       |
|-------------|-------------|
| <b>2</b>    | Black (STD) |

## CIRCUIT

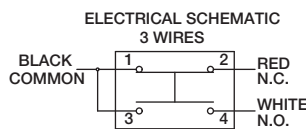
**W** SPST NC - Double Break



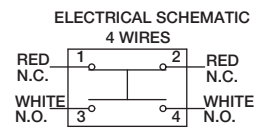
**Y** SPST NO - Double Break



**C** SPDT - Double Break

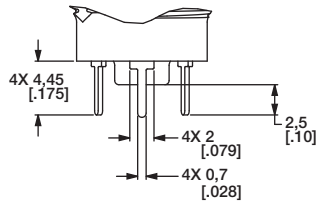


**C** SPDT - Double Break

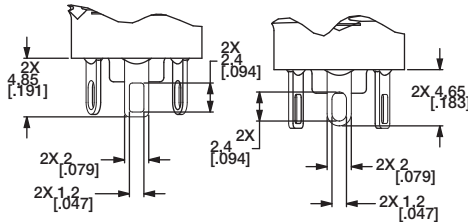


## TERMINATION

**02** PC PIN



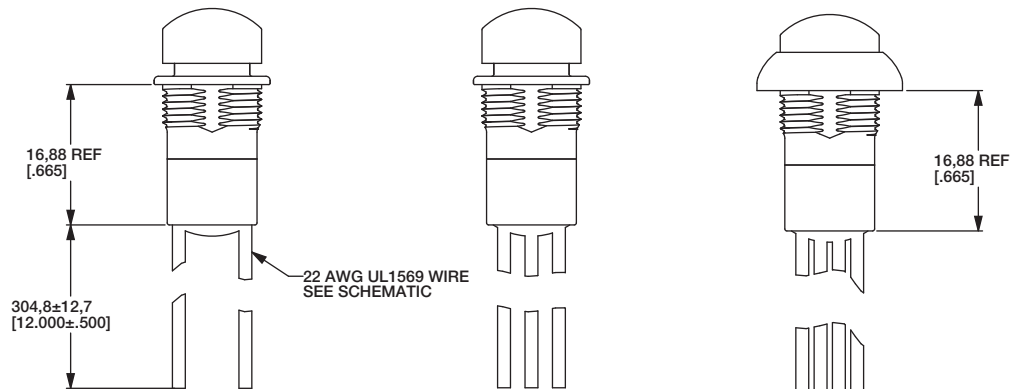
**03** SOLDER LUG (STD)



**W2** 2 x 12" 22 AWG UL1569 wire (overmolded)

**W3** 3 x 12" 22 AWG UL1569 wire (overmolded)

**W4** 4 x 12" 22 AWG UL1569 wire (overmolded)



# PNP Series Sealed Pushbutton Switch



A

Pushbutton

## CONTACT MATERIAL

| OPTION CODE | CONTACT MATERIAL |
|-------------|------------------|
| <b>Q</b>    | Silver (STD)     |
| <b>G</b>    | Gold over silver |

## TERMINAL SEAL

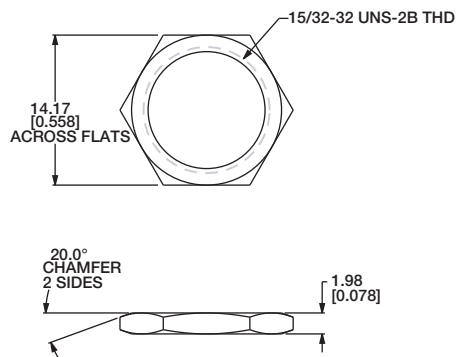
### **E** EPOXY

All models are epoxy sealed

## HARDWARE

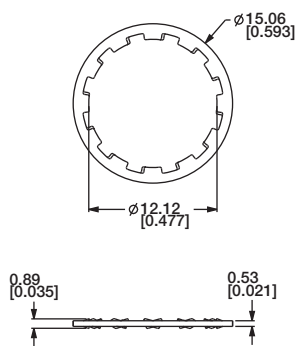
### HEX NUT

707100201 Nickel-plated



### LOCKWASHER

700302202



### PANEL GASKET

851D02000

