

PLEASE CHECK WWW.MOLEX.COM FOR LATEST PART INFORMATION

Part Number: [0082245909](#)
Status: **Active**
Description: 2.54mm (.100") Pitch Round Conductor Flat Cable - 24 AWG (7 x 32) Stranded, Topcoat, 9 Circuits, Reel 30.48m (100.0') Length

Documents:

[Drawing \(PDF\)](#) [RoHS Certificate of Compliance \(PDF\)](#)

Agency Certification

CSA LR61126
 UL E61522

General

Product Family Cable
 Series [8997](#)
 Crimp Quality Equipment Yes
 Geographic Area Asia
 Product Name Ribbon

Physical

Cable Length 30.48m (100.0')
 Circuits (Loaded) 9
 Insulation PVC
 Packaging Type Reel
 Pitch - Term. Interface (in) 0.100 In
 Pitch - Term. Interface (mm) 2.54 mm
 Temperature Range - Operating -20°C to +105°C
 Wire Size AWG 24
 Wire/Cable Type (7x32) Stranded, Topcoat

Electrical

Current - Maximum per Contact N/A
 Voltage - Maximum 300V

Material Info

Old Part Number 8997-09-100B

Reference - Drawing Numbers

Sales Drawing SD-8997-001



EU RoHS

**ELV and RoHS
 Compliant**
REACH SVHC
 Not Reviewed
**Halogen-Free
 Status**
 Not Reviewed

China RoHS



**Need more information on product
 environmental compliance?**

Email productcompliance@molex.com
 For a multiple part number RoHS Certificate of
 Compliance, [click here](#)

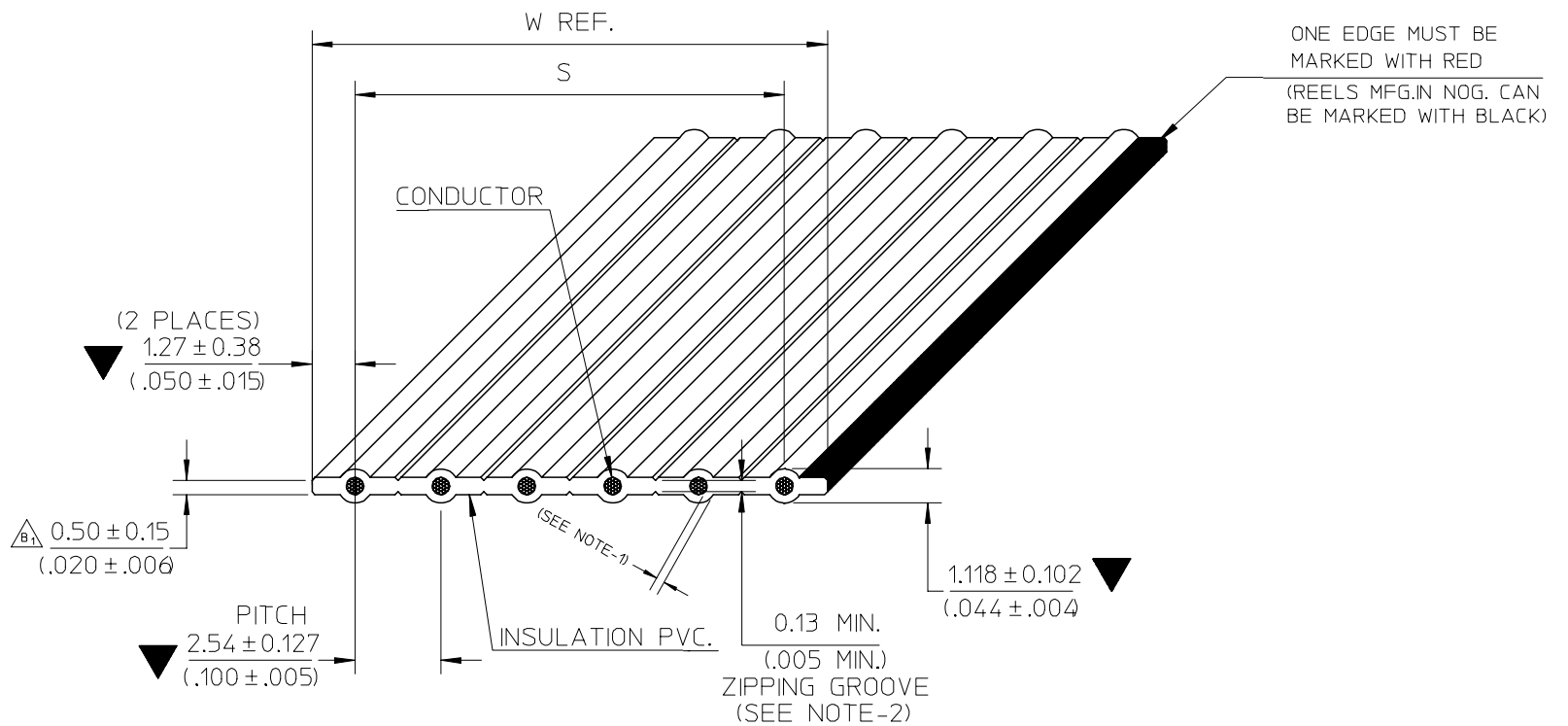
Please visit the [Contact Us](#) section for any
 non-product compliance questions.

Search Parts in this Series

[8997Series](#)

Use With

[70400](#) C-Grid SL™ IDT Connector
 Assembly. [70475](#) SL™ IDT Connector
 Assembly. [7720](#) KK® IDT Double Cantilever
 Contact



- NOTE :**
1. THE CABLE SHALL HAVE A MINIMUM OF 0.178mm. (.007") THICKNESS INSULATION AT ANY POINT
 2. RIP TEST:
- THE 0.13mm. (.005") ZIPPING GROOVE SHALL BE CAPABLE OF BEING RIPPED BY HAND WITHIN THE RECESS, WITHOUT EXPOSING THE ADJACENT CONDUCTORS
 3. RoHS AND LEAD FREE COMPLIANT
 4. SPECIAL REQUIREMENT: N/A

B	E-07-0748	B ₄ : ADD NON-OPERATING TEMP. B ₃ : ADD SOLDERING CONDITION B ₂ : CHANGE ELECTRICAL B ₁ : CHANGE WEB THICKNESS	07/09/26
A	N/A	NEW RELEASE	06/07/18
REV. HISTORY	EC NO.	DETAIL	DATE

SEE CHANGE DETAIL EC NO: THL2008-0015 DRWN: CPANSAKHOM 2007/11/28 CHKD: DNARINTARA 2007/11/29 APPR: SVIRATJAPOL 2007/12/04	DESCRIPTION
B	REV

QUALITY SYMBOLS
▽=3
▽=0

GENERAL TOLERANCES (UNLESS SPECIFIED)	
	mm
4 PLACES	± ---
3 PLACES	± ---
2 PLACES	± ---
1 PLACE	± ---
ANGULAR ± ---°	
DRAFT WHERE APPLICABLE MUST REMAIN WITHIN DIMENSIONS	

DIMENSION STYLE	
MM/IN	
DRAWN BY	DATE
CPANSAKHOM	2006/07/18
CHECKED BY	DATE
PMEECHAI	2006/07/18
APPROVED BY	DATE
SVIRATJAPOL	2006/07/18
MATERIAL NO.	SEE CHART
SIZE	4

SCALE	NTS	DESIGN UNITS	INCH	THIRD ANGLE PROJECTION
TITLE		FCB ROUND CONDUCTOR 2.54MM(.100)CENTER PVC. 24AWG STRANDED TOPCOATED		
APPROVED BY		MOLEX INCORPORATED		
DATE		DOCUMENT NO.	SHEET NO.	
2006/07/18		SD-8997-001	1 OF 3	
THIS DRAWING CONTAINS INFORMATION THAT IS PROPRIETARY TO MOLEX INCORPORATED AND SHOULD NOT BE USED WITHOUT WRITTEN PERMISSION				

SPECIFICATIONS

PHYSICAL

CONDUCTOR SPACING ----- 2.54 (.100") \bar{C} TO \bar{C}
 WIRE GAUGE ----- 24 AWG(7/32) STRANDED TOPCOATED
 INSULATION ----- P.V.C GRAY (LEAD FREE)

AGENCY

U.L. STYLE NO. ----- 2651
 TEMPERATURE RATING ----- -20°C TO 105°C
 VOLTAGE RATING ----- 300V.MAX.
 FLAMMABILITY RATING ----- VW-1

\triangle_{B_2} ELECTRICAL

CONDUCTOR RESISTANCE (D.C.) ----- 27m. OHMS/FT. MAX.
 CHARACTERISTIC IMPEDANCE ----- 134 OHMS NOM. (GS)
 114 OHMS NOM. (GSG)
 CAPACITANCE ----- 6.6 pF/FT. NOM. (GS)
 12.0 pF/FT. NOM. (GSG)
 PROPAGATION DELAY ----- 1.4 ns/FT. NOM.
 INSULATION RESISTANCE ----- 10M OHMS (10FT. SAMPLE)
 DIELECTRIC WITHSTAND VOLTAGE ----- 2000 VRMS/MINUTE

GENERAL

\triangle_{B_4} NON-OPERATING TEMPERATURE ----- -20°C TO 105°C
 FAULTS AND/OR SPLICES ----- 1/REEL MAX. 100 \pm ₀³ FT. (30.48 \pm ₀^{0.914} M.)/REEL
 20FT. (6.096M.) MIN. LENGTH

\triangle_{B_3} SOLDERING CONDITION

SOLDER TEMPERATURE ----- 260°C. MAX.
 SOLDERING TIME ----- 3 SECOND, MAX.
 INSULATION SHRINK ----- 2MM. NOM.

SEE CHANGE DETAIL EC NO: THL2008-0015 DRWN: CPANSAKHOM 2007/11/28 CHKD: DNARINTARA 2007/11/29 APPR: SVIRATJAPOL 2007/12/04	DESCRIPTION REV	QUALITY SYMBOLS	GENERAL TOLERANCES (UNLESS SPECIFIED)		DIMENSION STYLE		SCALE	DESIGN UNITS	THIRD ANGLE PROJECTION			
		\blacktriangledown = \triangle =	mm	INCH	MM/IN	NTS	INCH	DRAWN BY DATE CPANSAKHOM 2006/07/18 CHECKED BY DATE PMEECHAI 2006/07/18 APPROVED BY DATE SVIRATJAPOL 2006/07/18 MATERIAL NO. SEE CHART DOCUMENT NO. SD-8997-001 SHEET NO. 2 OF 3				
			4 PLACES \pm ----	\pm ----								
				3 PLACES \pm ----	\pm ----			TITLE FCB ROUND CONDUCTOR 2.54MM(.100)CENTER PVC. 24AWG STRANDED TOPCOATED MOLEX INCORPORATED				
		2 PLACES \pm ----	\pm ----									
		1 PLACE \pm ----	\pm ----			DRAFT WHERE APPLICABLE MUST REMAIN WITHIN DIMENSIONS						
		ANGULAR \pm ----°										

7 6 5 4 3 2 1

E

E

CHART A				
DIMENSIONS MM. (INCHES)				
ENGINEERING NO.	ORDER NO.	NO. OF CONDUCTOR	DIMENSION S	DIM. W (REF.)
8997-02-100B	82-24-5902	2	2.54±0.127(.100±.005)	5.08 (.200)
↑ -03- ↑	↑ 03	3	5.08±0.20 (.200±.008)	7.62 (.300)
-04-	04	4	7.62±0.30 (.300±.012)	10.16 (.400)
-05-	05	5	10.16±0.33 (.400±.013)	12.70 (.500)
-06-	06	6	12.70±0.33 (.500±.013)	15.24 (.600)
-07-	07	7	15.24±0.33 (.600±.013)	17.78 (.700)
-08-	08	8	17.78±0.33 (.700±.013)	20.32 (.800)
-09-	09	9	20.32±0.33 (.800±.013)	22.86 (.900)
-10-	10	10	22.86±0.33 (.900±.013)	25.40 (1.000)
-11-	11	11	25.40±0.33 (1.000±.013)	27.94 (1.100)
-12-	12	12	27.94±0.33 (1.100±.013)	30.48 (1.200)
-13-	13	13	30.48±0.33 (1.200±.013)	33.02 (1.300)
-14-	14	14	33.02±0.33 (1.300±.013)	35.56 (1.400)
-15-	15	15	35.56±0.33 (1.400±.013)	38.10 (1.500)
-16-	16	16	38.10±0.33 (1.500±.013)	40.64 (1.600)
-17-	17	17	40.64±0.33 (1.600±.013)	43.18 (1.700)
-18-	18	18	43.18±0.33 (1.700±.013)	45.72 (1.800)
↓ -19- ↓	↓ 19	19	45.72±0.33 (1.800±.013)	48.26 (1.900)
8997-20-100B	82-24-5920	20	48.26±0.33 (1.900±.013)	50.80 (2.000)

ENGINEERING NO.

8997-XX-XXXX

A B C D

A : CABLE 2.54mm. (.100") CENTERS 24AWG STRANDED TOPCOATED

B : CONDUCTOR SIZE (AVAILABILITY 2 THROUGH 20)

C : CABLE LENGTH 100FT. (30.48M.)

D : A = INCHES

B = FEET

D

D

C

C

B

B

A

A

SEE CHANGE DETAIL EC NO: THL2008-0015 DRWN: CPANSAKHOM 2007/11/28 CHKD: DNARINTARA 2007/11/29 APPR: SVIRATJAPOL 2007/12/04	QUALITY SYMBOLS	GENERAL TOLERANCES (UNLESS SPECIFIED)		DIMENSION STYLE	SCALE	DESIGN UNITS	THIRD ANGLE PROJECTION
	= =	mm	INCH	MM/IN	NTS	INCH	DRAWN BY CPANSAKHOM 2006/07/18 CHECKED BY PMEECHAI 2006/07/18 APPROVED BY SVIRATJAPOL 2006/07/18 MATERIAL NO. SEE CHART DOCUMENT NO. SD-8997-001 SHEET NO. 3 OF 3
		4 PLACES ± ---	± ---				
		3 PLACES ± ---	± ---				
		2 PLACES ± ---	± ---				
	1 PLACE ± ---	± ---					
	ANGULAR ± ---°		DRAFT WHERE APPLICABLE MUST REMAIN WITHIN DIMENSIONS		TITLE: FCB ROUND CONDUCTOR 2.54MM(.100)CENTER PVC. 24AWG STRANDED TOPCOATED MOLEX INCORPORATED		

6

5

4

3

2

1