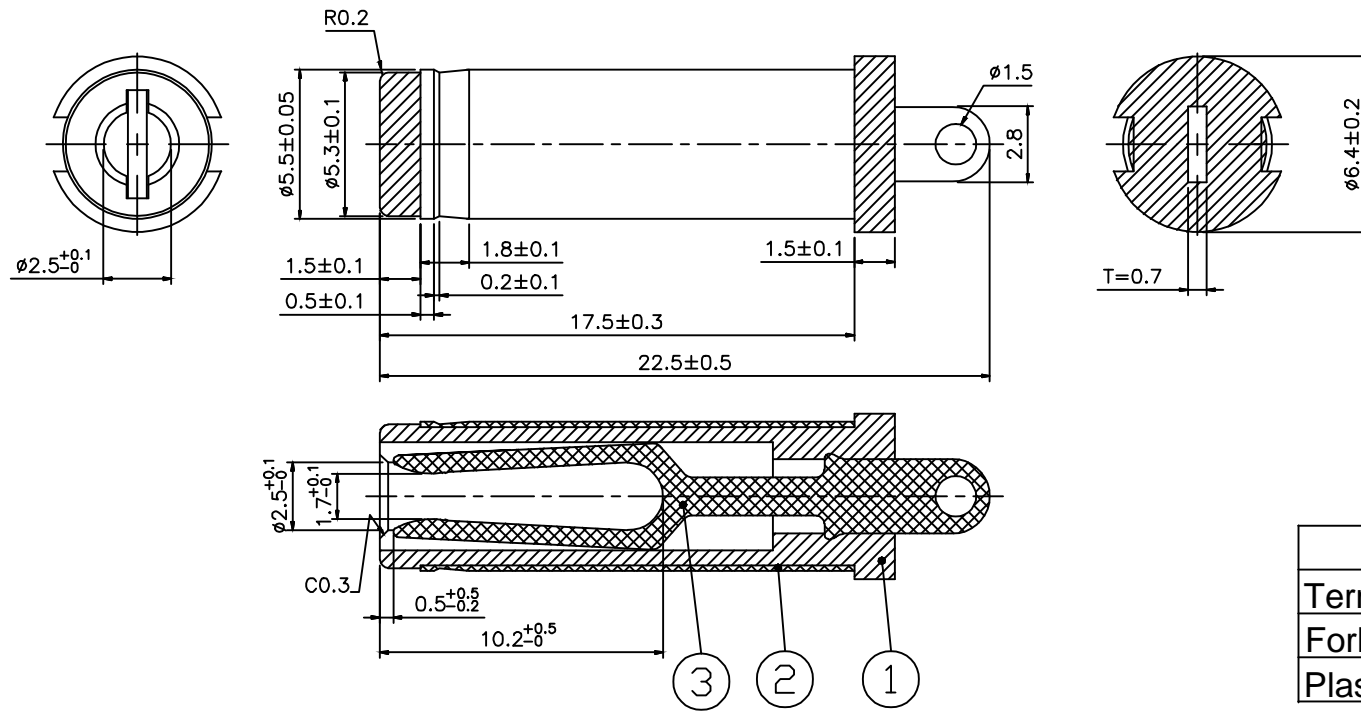


Technology Request:

- 1.Outlook:No burr, no hurt.
- 2.Electronic performance:
  - a:Insulation resistance: Above DC500V/100MΩ;
  - b:Endure voltage:AC500V at 1 minute;
  - c:Contact resistance:Under 30mΩ;
- 3.Insertion force & withdrawal force:0.3-3kgf.
- 4.Salt spray test:24H.
- 5.Meet RoHS.
- 6.Remark \* is important specification.



	MATERIAL	PLATING
Terminal	phosphor bronze	NI
Fork hook tube	H65	NI
Plastic	Pbt	Black

					DSND	DATE	SCALE: N/A	MODEL TYPE:		
$\Delta X$					ANGLAR		VIEW:	DC PIUG		
$\Delta X$					$\pm 5^\circ$		UNIT: mm	PART NO.: DT-2255525		
$\Delta X$					$\pm 0.2mm$		SIZE: A4	DWG NO.:		
MARK	DESCRIPTION	DATE	REVISED	APPROVED	$\pm 0.1mm$					
	REVISIONS				$\pm 0.05mm$					
					UNSPECIFIED TOLERANCES					
					XKB INDUSTRIAL PRECISION CO.,LIMITED			WEIGHT	SHEET	REVISION
								1.0g	1/1	A0