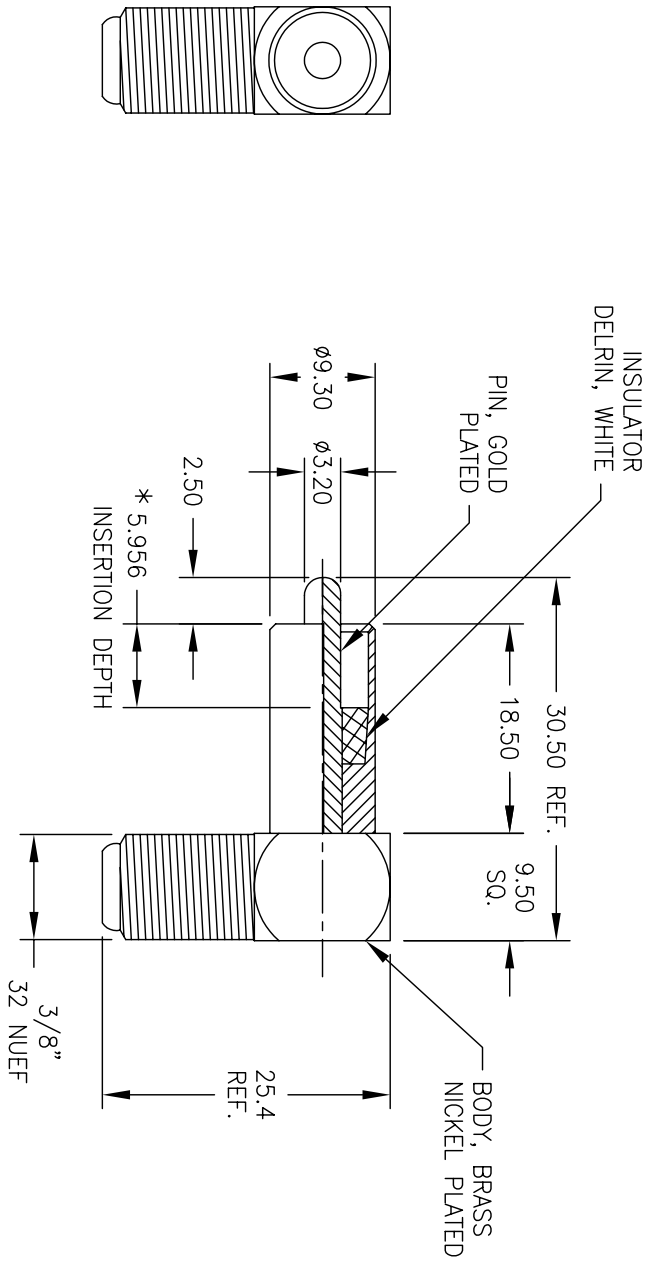


Rev	AWO #	Description	Date	Appr
-		RELEASED	7/25/05	

APPROVED: \_\_\_\_\_ TITLE: \_\_\_\_\_  
 DATE: \_\_\_\_\_



NOTE:  
 DIMENSION MARKED WITH \* ARE CRITICAL

DESCRIPTION	MATERIAL	COLOR
BODY	BRASS	NICKEL
PIN	BRASS	GOLD
INSULATOR	DELRIN	WHITE

**SPECIFICATIONS:**

- Material:*  
 Insulator: Delrin, color White  
 Pin: Brass, Gold plated  
 Body: Brass, Nickel plated
- Electrical:*  
 Nominal Impedance: 75 ohms  
 Frequency range: 0-4 GHz  
 Maximum peak voltage: 500V  
 Insulation resistance: 5000 Mohm min @ 500 VDC  
 Dielectric withstanding voltage: 1500 VAC rms  
 Environmental:  
 Lead free, RoHS compliant.



**ADAM TECH**

909 Rahway Avenue, Union, NJ 07083  
 Phone: 908-687-5000 Fax: 908-687-5710

R/A ADAPTER, F JACK TO RCA PLUG, 75 OHM  
 GOLD CENTER PIN, DELRIN INSULATOR

UNLESS OTHERWISE SPECIFIED ALL DIMENSIONS ARE INCHES [MM] TOLERANCES: EXCEPT AS NOTED INCHES		HOLES		DATE	
.X	± .10	ØX	± .10		
.XX	± .020	ØXX	± .015		
.XXX	± .015	ØXXX	± .010		
APPROVALS		DATE		TITLE	
DRAWN	SS	7/25/05		R/A ADAPTER, F JACK TO RCA PLUG, 75 OHM GOLD CENTER PIN, DELRIN INSULATOR	
CHECKED				SIZE PART NO. REV.	
APPROVED				X RF4-21-D-XX-75 -	

SCALE: NTS SHEET 1 OF 1