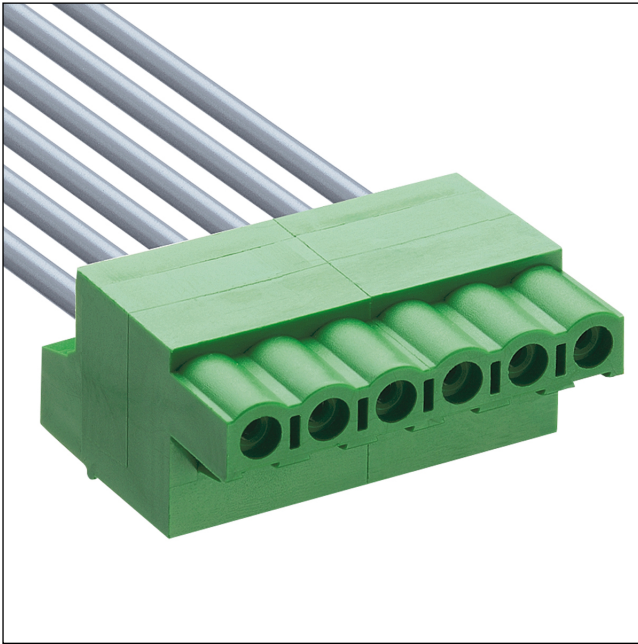


67 MC 310-508

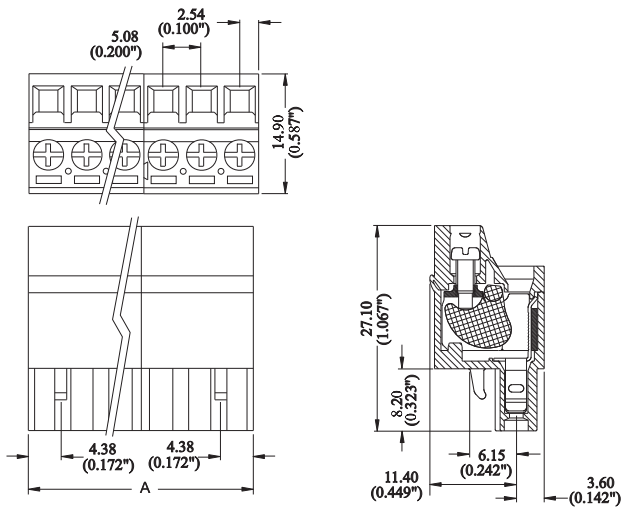
Pluggable terminal blocks on pin headers, pitch 5.08 mm



Pluggable screw terminal block, clamp with wire protection, with locking, cable departure and screws 180° to plugging direction, stringable without loss of pitch, with combined screw (cross recession/slot)

Approvals:  

67 MC 310-508



Environmental conditions

Temperature range -40 °C/+105 °C

Materials

Insulating body PA, V-0 according to UL94
 Contact spring CuSn, tin-plated
 Clamp steel, zinc-plated
 Screw steel, zinc-plated

Mechanical data

Screw size M2,6
 Tightening torque screw 0,5 Nm

Connectable conductors for screw clamp

Section AWG 24-14 (0,25-2,5 mm²)
 Stripping length 4-5 mm

Electrical data (at T_{amb} 20 °C)

Rated current 16 A
 Rated voltage 300 V AC
 Rated impulse voltage ≥ 2 kV
 Insulation resistance > 5 GΩ

Associated products

Counterparts
 ☞ ME 010-508 ☞ ME 020-508 ☞ ME 030-508
 ☞ ME 040-508

67

MC 310-508

Designation	Pole Number	PU (Pieces)	MDQ (Pieces)	Dimensions A (mm)
MC 310-508 02	2	500	600	10.16
MC 310-508 03	3	500	600	15.24
MC 310-508 04	4	300	600	20.32
MC 310-508 06	6	250	600	30.48
MC 310-508 08	8	200	600	40.64

Packaging:

in bulk, in a plastic bag