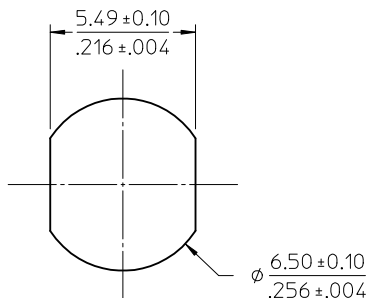
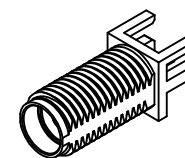


MATERIALS AND FINISHES

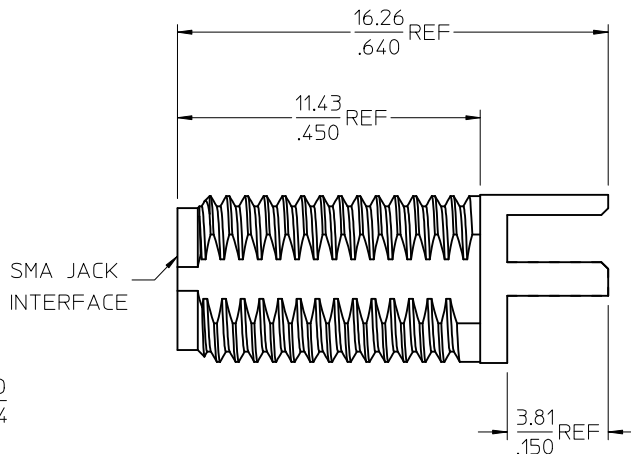
BODY: BRASS  
PLATED: GOLD

CENTER CONTACT: BeCu  
PLATED: GOLD

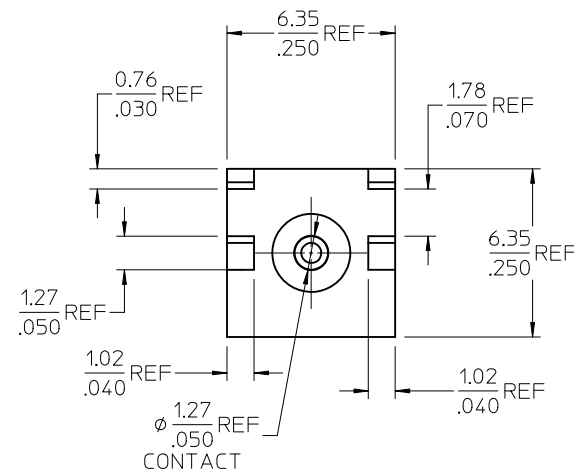
INSULATOR: TEFLON



RECOMMENDED PANEL CUTOUT



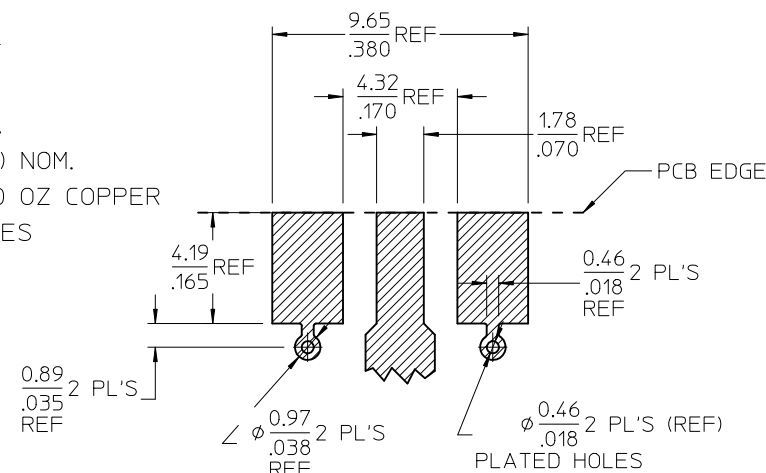
SMA JACK  
INTERFACE



CONTACT

RECOMMENDED PAD LAYOUT

BASE WIDTH: 6.35(.250) NOM.  
BOARD THICKNESS: 1.57(.062) NOM.  
BOARD MATERIAL: FR4 W/1.0 OZ COPPER  
BOTH SIDES



SEE PAGE 2 FOR OTHER PART NUMBERS

73251-2123	ONE PIECE 73251-2120 PER BAG
73251-2120	TRAY
PART NO.	PACKAGING

PS-89675-3460	PRODUCT SPECIFICATION
MIL-STD-348A, FIG. 310.2	INTERFACE
SPECIFICATION	DESCRIPTION

CHG: ADD -2123

EC NO: URF2011-0619  
DRAWN: JWIENER 2011/04/19  
CHKD: SSS 2011/04/20  
APPR: JWIENER 2011/04/20

DESCRIPTION  
REV

QUALITY SYMBOLS  
▽=0  
▽=0

GENERAL TOLERANCES (UNLESS SPECIFIED)

	mm	INCH
4 PLACES ±	---	± ---
3 PLACES ±	---	± ---
2 PLACES ±	---	± ---
1 PLACE ±	---	± ---

ANGULAR ± 2 °

DRAFT WHERE APPLICABLE  
MUST REMAIN  
WITHIN DIMENSIONS

DIMENSION STYLE  
MM/IN

DRAWN BY  
SSS

DATE  
2003/07/09

CHECKED BY  
TEF

DATE  
2003/07/09

APPROVED BY  
JWIENER

DATE  
2010/10/27

MATERIAL NO.  
SEE TABLE

SIZE  
C

SCALE  
METRIC

DESIGN UNITS  
METRIC

THIRD ANGLE PROJECTION

TITLE  
SMA JACK, EDGE MOUNT  
.062 BOARD, 50 OHMS,  
EWR-2074 SMA-J/PCB

MOLEX MOLEX INCORPORATED

DOCUMENT NO.  
SD-73251-212

SHEET NO.  
1 OF 2

THIS DRAWING CONTAINS INFORMATION THAT IS PROPRIETARY TO MOLEX INCORPORATED AND SHOULD NOT BE USED WITHOUT WRITTEN PERMISSION

MATERIALS AND FINISHES

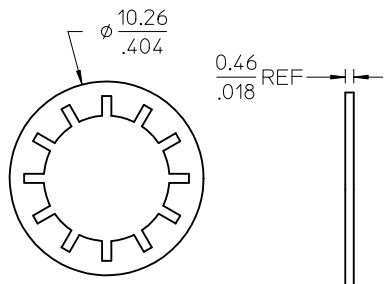
BODY, JAM NUT, FLAT WASHER: BRASS  
PLATED: GOLD

CENTER CONTACT: BeCu  
PLATED: GOLD

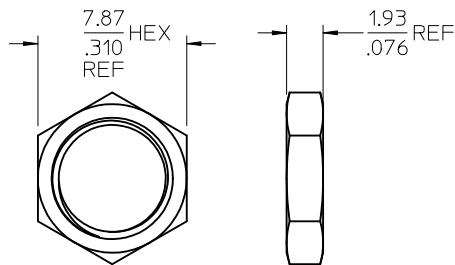
INSULATOR: TEFLON

LOCKWASHER: PHOSPHOR BRONZE  
PLATED: GOLD

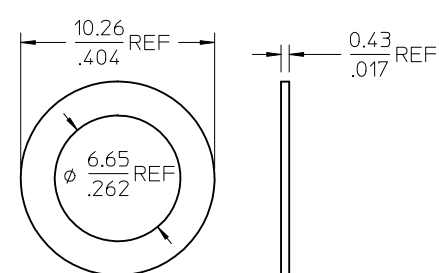
PACKAGING: TRAY



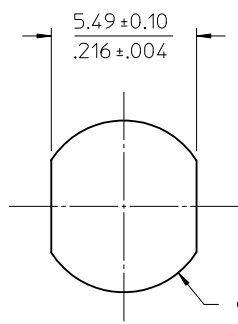
LOCKWASHER  
(73251-2121 ONLY)



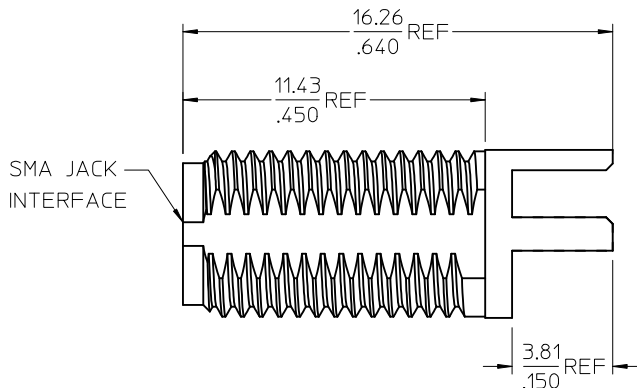
JAM NUT  
73251-2121 AND -2122



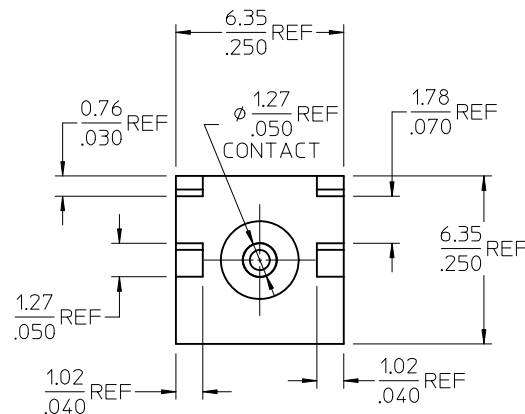
FLAT WASHER  
(73251-2122 ONLY)



RECOMMENDED PANEL CUTOUT

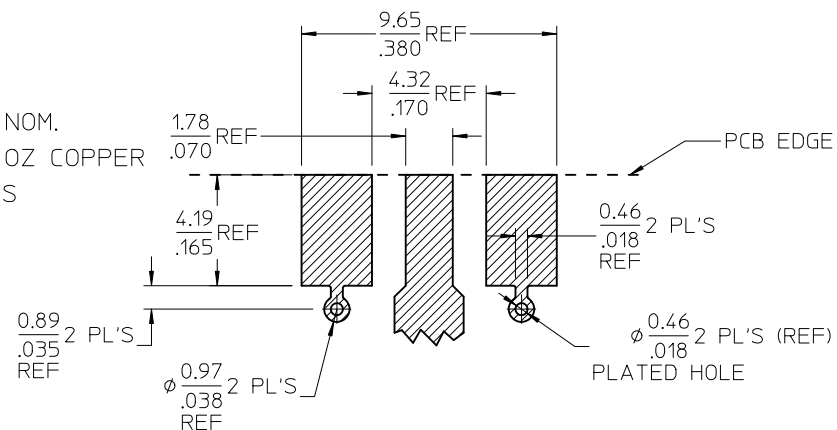


SMA JACK  
INTERFACE



RECOMMENDED PAD LAYOUT

BASE WIDTH: 6.35(.250) NOM.  
BOARD THICKNESS: 1.57(.062) NOM.  
BOARD MATERIAL: FR4 W/1.0 OZ COPPER  
BOTH SIDES



PART # 73251-2122 (WITH FLAT WASHER/JAM NUT)

PART # 73251-2121 (WITH LOCKWASHER/JAM NUT)

PS-89675-3460	PRODUCT SPECIFICATION
MIL-STD-348A, FIG. 310.2	INTERFACE
SPECIFICATION	DESCRIPTION

CHG: SEE SHEET 1 EC NO: URF2011-0619 DRWN: JWIENER 2011/04/19 CHKD: SSS 2011/04/20 APPR: JWIENER 2011/04/20	QUALITY SYMBOLS ▽=0 ▽=0	GENERAL TOLERANCES (UNLESS SPECIFIED) 4 PLACES ± --- ± --- 3 PLACES ± --- ± --- 2 PLACES ± --- ± --- 1 PLACE ± --- ± --- ANGULAR ± 2 °	DIMENSION STYLE MM/IN DRAWN BY DATE SSS 2003/07/09 CHECKED BY DATE TEF 2003/07/09 APPROVED BY DATE JWIENER 2010/10/27	SCALE DESIGN UNITS METRIC THIRD ANGLE PROJECTION	TITLE SMA JACK, EDGE MOUNT .062 BOARD, 50 OHMS, EWR-2074 SMA-J/PCB	MOLEX INCORPORATED	MATERIAL NO. SEE TABLE	DOCUMENT NO. SD-73251-212	SHEET NO. 2 OF 2
							DRAFT WHERE APPLICABLE MUST REMAIN WITHIN DIMENSIONS		