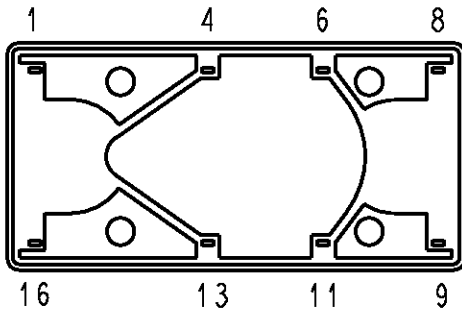
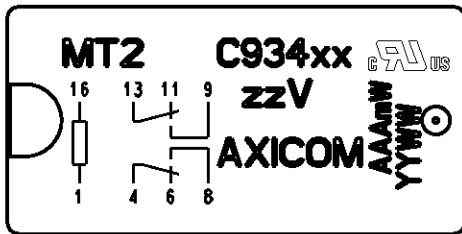
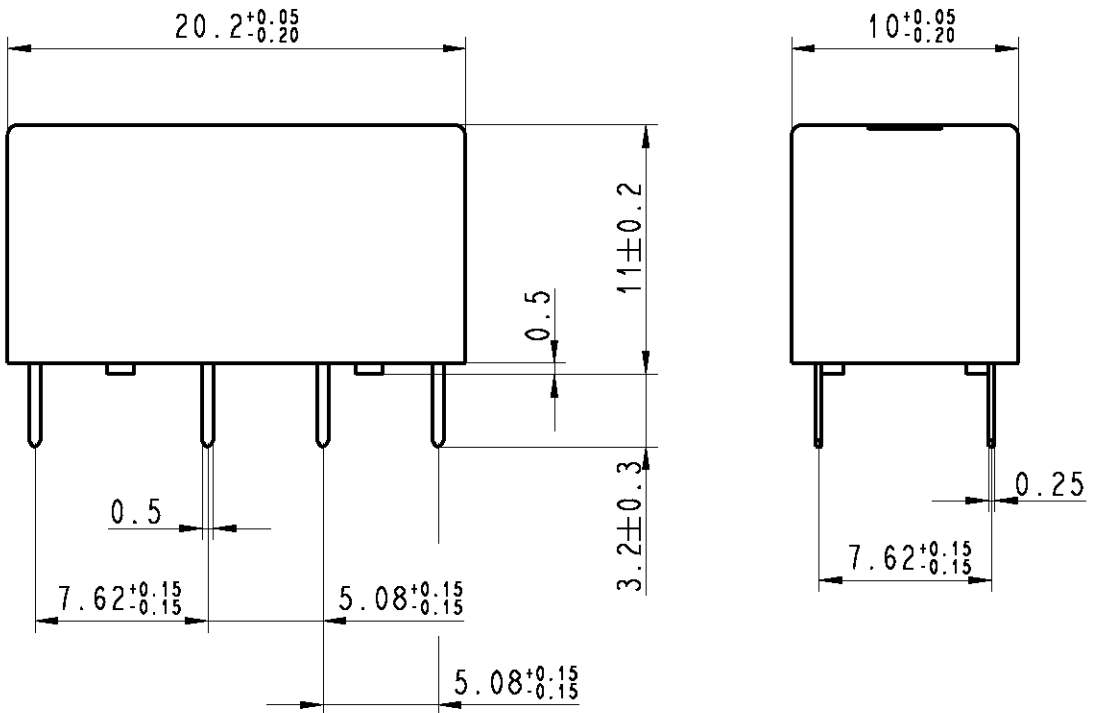


LOC	DIST	REVISIONS					
HJ	-	P	LTR	DESCRIPTION	DATE	DWN	APVD
		A6		REVISED PER ECO-11-005150	25MAR11	RK	HMR



Relay - bottom view



xx = Relay type
 zz = nominal voltage
 AAA = power
 YYWW = Date code

DRAWING ALIAS C93400-599-Dok03

RELEASED FOR PUBLICATION

ALL RIGHTS RESERVED.

THIS DRAWING IS UNPUBLISHED.

© COPYRIGHT BY -

DIMENSIONS: mm	DWN	28Jun2004	MATERIAL	FINISH
	Vyskocil		-	-
TOLERANCES UNLESS OTHERWISE SPECIFIED: DIN 7168-m	CHK	28Jun2004		
	HD 9121			
0 PLC ±- 1 PLC ± 2 PLC ± 3 PLC ± 4 PLC ± ANGLES ±-	APVD	28Jun2004	NAME	
	HD 9121		MT2-Relay Dimensions	
PRODUCT SPEC -	APPLICATION SPEC	-	SIZE	CAGE CODE
			A4	00779
WEIGHT -			DRAWING NO	RESTRICTED TO
			C-1462000-2	-
CUSTOMER DRAWING			SCALE	3:1
			SHEET	1 OF 1
			REV	A6

