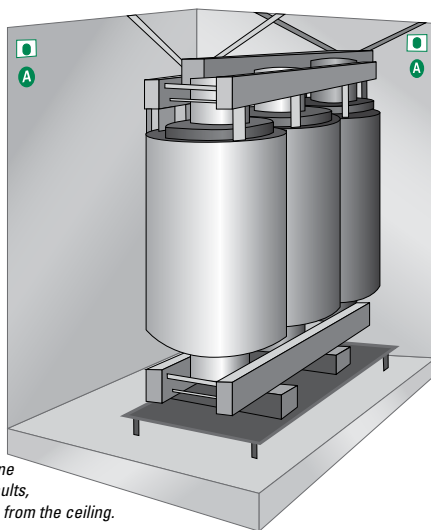


# D0100 SERIES & D0900 SERIES

## Arc-Flash Relay



### Installation Diagram



Place sensors in direct line of sight to possible arc faults, preferably pointing down from the ceiling.

### Ordering Information

ORDERING NUMBER	CONTROL POWER
D0100.0010	48-220 Vdc
D0100.0020	24 Vdc
D0900.0010	220-250 Vac

ACCESSORIES	REQUIREMENT
A0033.0010 Detector cable 2 x 0.25 mm w/screen. 100 m	Optional
A0200.0010 Light Sensor 180°; 5 m cable	Required: At least 1 sensor per cubicle or drawer
A0200.0020 Light Sensor 180°; 10 m cable	
A0200.0030 Light Sensor 180°; 15 m cable	
A0300.0010 Light Sensor 360°; 5 m cable	
A0300.0020 Light Sensor 360°; 10 m cable	
A0300.0030 Light Sensor 360°; 15 m cable	
D0400.0010 Junction Box. For 8 sensors, without indication	Optional
D0500.0010 Junction Box. For 8 sensors, with indication	Optional
D1100.0010 Diode Logic Unit	Optional

### Description

The D0100/D0900 Arc-Flash relays provide a simple and cost-effective solution for Arc-Flash monitoring. Two light sensors can be connected directly to one relay, or optional junction boxes allow up to 16 sensors per relay.

**Light Sensors** react to light and are available with 180° or 360° detection area. Sensors are supplied with 5, 10 or 15 m of cable and a mounting bracket. 1-2 sensors are recommended per cubicle or drawer.

### Features & Benefits

FEATURES	BENEFITS
<b>Compact module</b>	Fits into wide range of Arc-Flash applications
<b>Trip time &lt;1 ms</b>	Limits Arc-Flash damage and risk of injury
<b>Two optical sensor types</b>	Point sensors with 180° or 360° detection area depending on specific installation
<b>Dual sensor input</b>	Single Arc-Flash relay can monitor 2 sensors or junction boxes
<b>Sensor expansion option</b>	Junction box allows for up to 16 sensors per Arc-Flash relay (8 sensors/box)
<b>Adjustable light sensitivity</b>	Allows for operation in bright environments and maximum sensitivity in dark environments
<b>Service mode</b>	Allows for system test without tripping

### Accessories



#### A0200 (180°)/A0300 (360°) Light Sensors

Line-of-sight light sensor detects an arc as small as 3 kA within a 2-m half-sphere. Available in 180° or 360°; 5, 10, or 15 m cable.



**D0400/D0500 Junction Box** for parallel connection of more than 2 sensors for one relay. Designed to connect up to 8 sensors, and is available with and without indication. Max. 2 junction boxes can be connected to one Arc-Flash relay.

### Specifications

<b>Voltage Supply</b>	D0100.0010: 48-220 Vdc D0100.0020: 24 Vdc D0900.0010: 220-250 Vac D0900.0020: 220-250 Vac D0900.0030: 110 Vac
<b>Thyristor Output Sensitivity</b>	250 Vac/Vdc, 8 A cont., 25 A. for 0.1 s, min. load 50 mA
<b>Number of Sensors</b>	Adjustable 2,000-24,000 lux Max. 16 pcs. with 2 junction boxes
<b>Response Time</b>	Less than 1 ms
<b>Power Consumption</b>	D0100: 4.3 W; D0900: 3.5 W
<b>Ambient Temperature</b>	-25°C to +70°C
<b>EMC</b>	EN50081-1/2 and EN50082-1/2
<b>Dimensions</b>	<b>H</b> 90 mm (3.5"); <b>W</b> 105 mm (4.1"); <b>D</b> 75 mm (3.0")