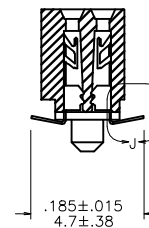
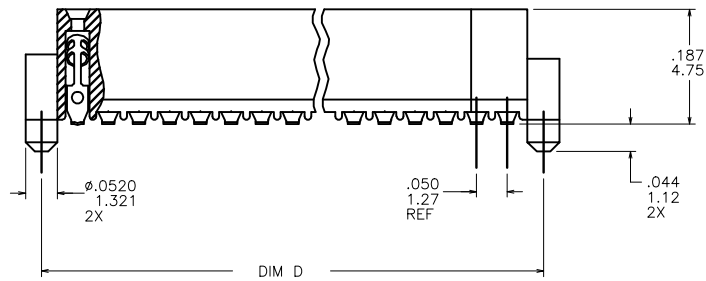
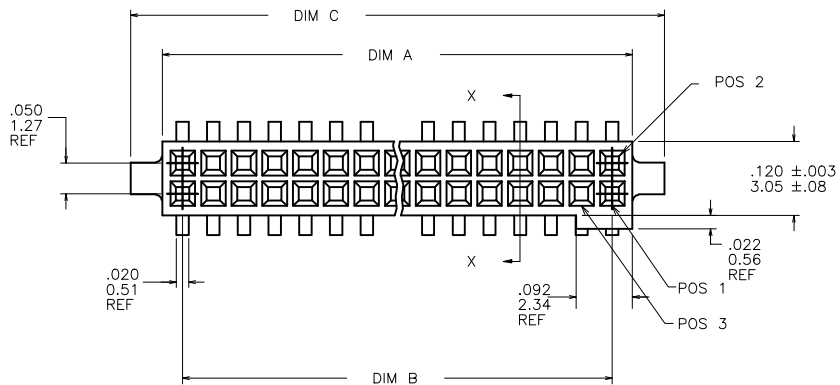
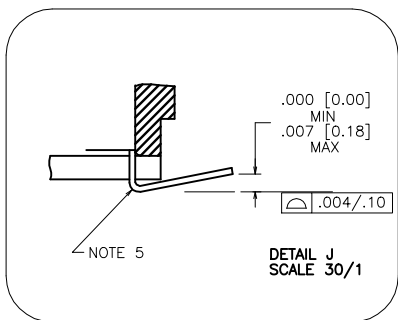


PRODUCT NUMBER  
SEE TABLE



SECTION X-X



mat'l. code		surface		tolerance	projection	product family	
-		ISO 1302		ISO 406 ISO 1101	ISO 1001	RIB CAGE	
lir	ecm no	dr	date	tolerances unless otherwise specified		title	
X	V11674	CRG	02/28/02	linear	XX±.01/XX±0.3	.050cc VERT. SMT.	
Y	V20420	CRG	2/28/02	linear	XXX±.005/XXX±0.13	W/LOC. & POL. FEATURE	
AA	M05-0123	MHT	6/06/05	σ±z	XXXX1.0020/XXX±0.051	scale	1:1
AB	M06-0284	AEA	7/27/06	dr	M. CLOUSER	6/26/91	
AC	M08-0053	CMR	2/27/08	eng	B. BARUFFALO	6/26/91	
AD	M09-0058	CMR	4/06/09	chr	B. BARUFFALO	6/26/91	
AE	M09-0071	MHT	4/30/09	app	B. BARUFFALO	6/26/91	
sheet	revision	AE	AE	AE			
index	sheet	1	2	3			



Copyright FCI

form A3

PRODUCT NO. NOTE 9	SIZE	DIM A	DIM B	DIM C	DIM D	SPECIAL PACKAGING	TAPE WIDTH PITCH	PIECES PER REEL
87024-605	2 X 5	.266/6.756	.200/5.08	.370/9.398	.3200/8.128	NOTE 6	24mm 12mm	750
-610	2 X 10	.516/13.106	.450/11.43	.620/15.748	.5700/14.478	NOTE 6	24mm 12mm	750
-610P	2 X 10	.516/13.106	.450/11.43	.620/15.748	.5700/14.478	NOTE 8	24mm 16mm	500
-615	2 X 15	.766/19.456	.700/17.78	.870/22.098	.8200/20.828	NOTE 6	44mm 12mm	500
-620	2 X 20	1.016/25.806	.950/24.13	1.120/28.448	1.0700/27.178	NOTE 7	-----	
-625	2 X 25	1.266/32.156	1.200/30.48	1.370/34.798	1.3200/33.528	NOTE 6	56mm 12mm	500
-630	2 X 30	1.516/38.506	1.450/36.83	1.620/41.148	1.5700/39.878	NOTE 6 & 7	56mm 12mm	500
-635	2 X 35	1.766/44.856	1.700/43.18	1.870/47.498	1.8200/46.228	NO	-----	
-640	2 X 40	2.016/51.206	1.950/49.53	2.120/53.848	2.0700/52.578	NOTE 6 & 7	56mm 12mm	500
-645	2 X 45	2.266/57.556	2.200/55.88	2.370/60.198	2.3200/58.928	NO	-----	
87024-650	2 X 50	2.516/63.906	2.450/62.23	2.620/66.548	2.5700/65.278	NOTE 7	-----	
87024-605LF	2 X 5	.266/6.756	.200/5.08	.370/9.398	.3200/8.128	NOTE 6	24mm	750

NOTES:

- ① HOUSING MATERIAL:  
LCP GLASS FILLED FLAME RETARDANT PER UL 94V-0  
COLOR: NATURAL
- ② TERMINAL MATERIAL: BeCu
- ③ TERMINAL PLATING:  
30u"/.76u MIN HARD GOLD OVER Ni ON CONTACT ZONES,  
100u"/2.54u MIN TIN LEAD OVER Ni IN SOLDERING ZONES,  
OTHERWISE GOLD FLASH OR UNPLATED.  
LEAD FREE OPTION:  
30u"/.76u MIN HARD GOLD OVER Ni ON CONTACT ZONES,  
100u"/2.54u MIN TIN OVER Ni IN SOLDERING ZONES,  
OTHERWISE GOLD FLASH OR UNPLATED.
- 4 APPLICATION INFORMATION:  
A. RECOMMENDED MOUNTING PAD PATTERN IS  
SHOWN IN FIGURE "A".  
B. MATING PINS TO BE .0176/-.447 TO .0181/-.459 DIA.  
C. MATING PIN TIPS TO BE IN TRUE POSITION TO MATING  
GRID WITHIN .006/-.15 DIA.  
D. SUGGESTED MATING PIN LENGTH .130/3.30  
±.010/-.25.
- ⑤ LEAD TIPS TO BE ABOVE HEEL UP TO .007/0.18 MAX.  
COPLANARITY TO BE MEASURED AT LOWEST POINT (HEEL).
- ⑥ ADD "TR" TO END OF DASH NUMBER FOR TAPE AND  
REEL PACKAGING WITH CAP.  
TOOLED ONLY FOR NOTED CONNECTORS.
- ⑦ ADD "CT" TO END OF DASH NUMBER FOR CONNECTOR WITH CAP FOR  
VACUUM PICKUP IN TUBE.
- ⑧ CUSTOMER SPECIAL, TAPE AND REEL PACKAGING, TOOLED  
ONLY FOR NOTED CONNECTOR.
- ⑨ ADD "LF" SUFFIX AT THE END OF PART NUMBER FOR LEAD FREE OPTION.
10. IF LF P/N THE PRODUCT MEETS EUROPEAN UNION DIRECTIVES AND OTHER  
COUNTRY REGULATION AS DESCRIBED IN GS-22-008.
11. THE HOUSING WILL WITHSTAND EXPOSURE TO 260°C PEAK TEMPERATURE  
FOR 20 SECONDS IN A CONVECTION, INFRA-RED OR VAPOR PHASE REFLOW  
OVEN. SEE APPLICATION NOTES/PROCEDURES IF THEY ARE AVAILABLE.

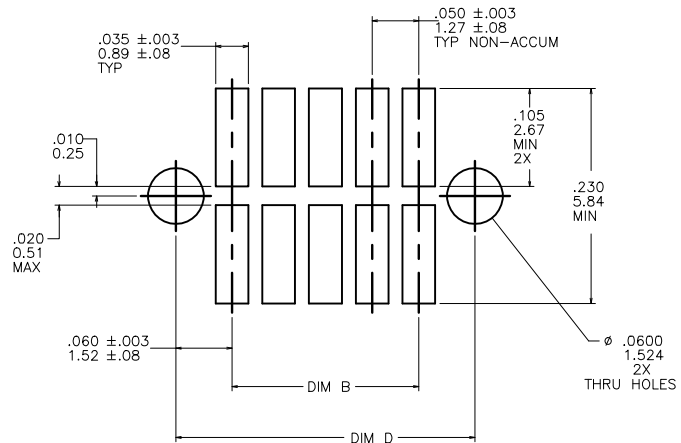


FIGURE A  
RECOMMENDED  
P.C.B. LAYOUT

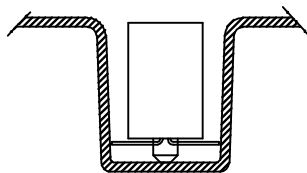
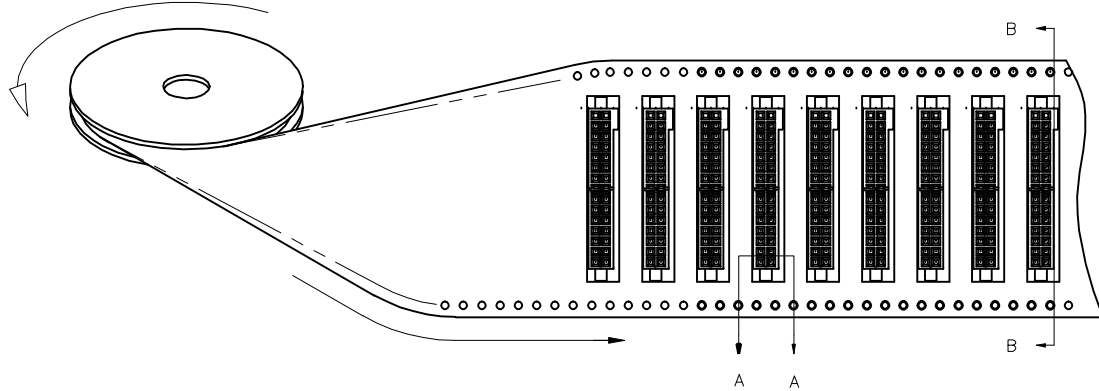
mat'l. code	surface ISO 1302	tolerance ISO 406 ISO 1101	projection	product family RIB CAGE
file	tolerances unless otherwise specified		INCH/MM	title .050cc VERT. SMT. W/LOC. & POL. FEATURE
AE	angles	linear	scale 1:1	dwg no 87024 sheet 2 of 3 size A3
	dr	eng	chr	appd
	M. CLOUSER	B. BARUFFALO	B. BARUFFALO	B. BARUFFALO
	6/26/91	6/26/91	6/26/91	6/26/91
sheet	revision			
index	sheet			

1 | 2 | 3 | 4 | 5 | 6

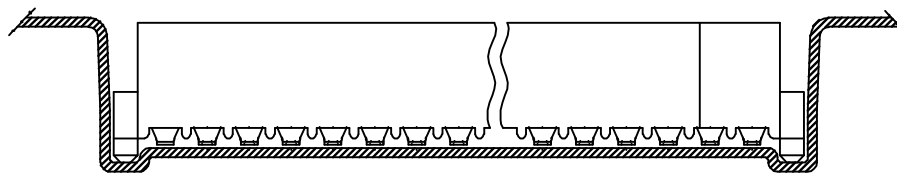
UNREELING  
DIRECTION

REFERENCE ONLY

TAPE WIDTH'S 32mm AND ABOVE HAS BOTH FEED TRACKS,  
BELOW 32mm HAS TOP FEED TRACK ONLY.



SECTION A-A



SECTION B-B



FCIconnect.com

Copyright FCI

mat'l. code		surface		tolerance		projection		product family	
-		ISO 1302		ISO 406 ISO 1101				RIB CAGE	
Int' ecn no		dr		date		INCH/MM		file	
								.050cc VERT. SMT. W/LOC. & POL. FEATURE	
AE						scale 1:1		dwg no	
								sheet 3 of 3 size	
								87024 A3	
								type	
								Product Customer Drawing	
sheet		revision							
index		sheet							

form: A3

1 | 2 | 3 | 4 | 5 | 6