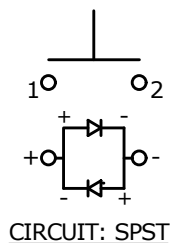
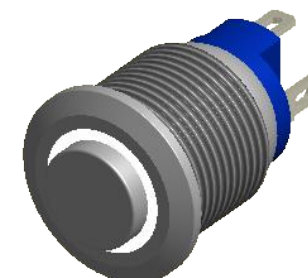
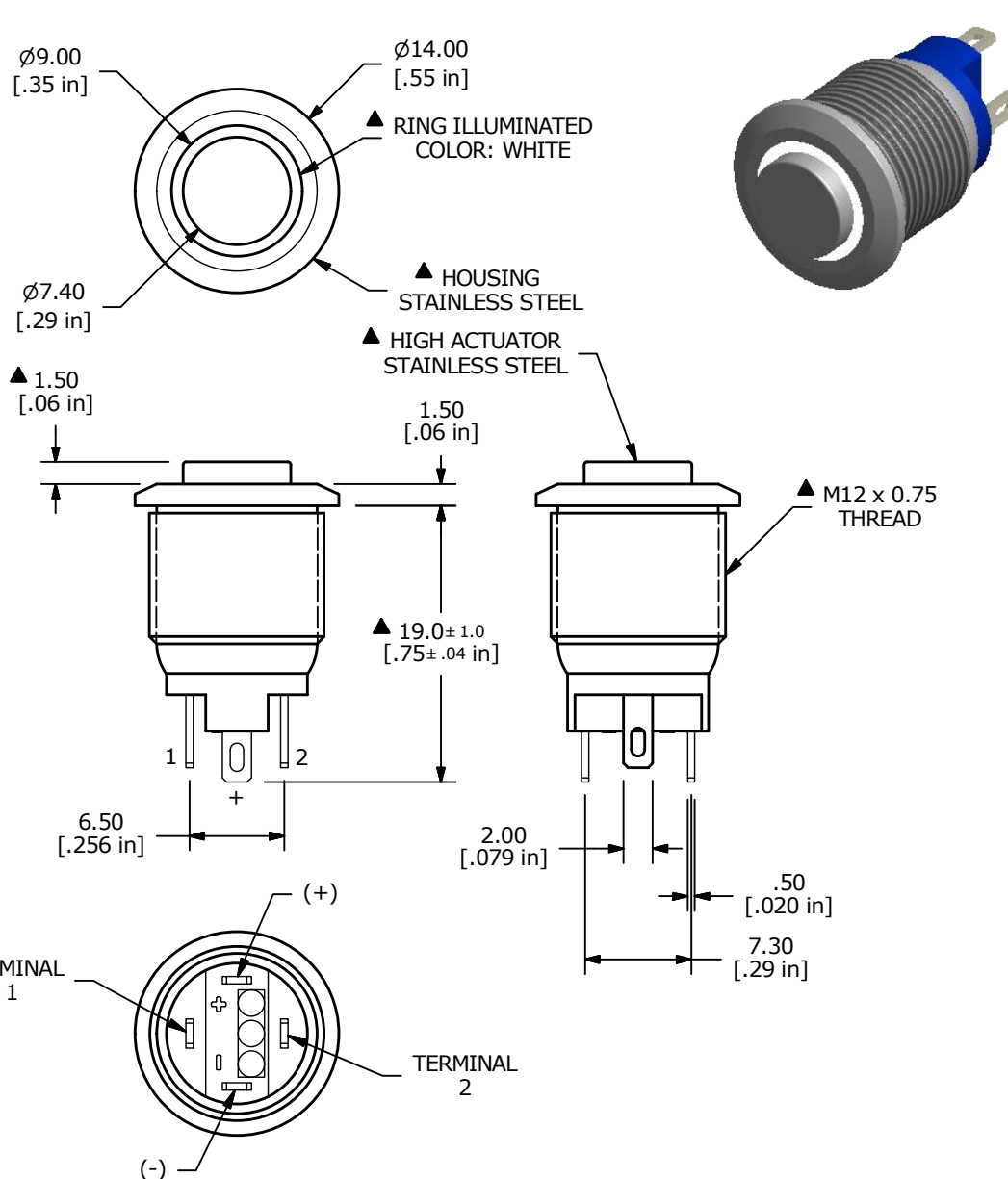


SWITCH FUNCTION	
POS. 1	POS. 2
OFF	(ON)
OPEN	1-2

(ON) = MOMENTARY



- NOTE:
- ALL DIMENSIONS IN MM [INCH]
 - GENERAL TOLERANCE: X.X = ± 0.4
X.XX = ± 0.25
 - TERMINAL NOS. FOR REF. ONLY
 - RATING: 2A @ 36VDC
 - CONTACT RESISTANCE: 50mΩ MAX. @ 1A 12VDC
 - INSULATION RESISTANCE: 1,000MΩ @ 500VDC
 - DIELECTRIC STRENGTH: 2,000VAC MIN. FOR 1 MINUTE
 - ELECTRICAL LIFE: 200,000 CYCLES
 - CONTACT MATERIAL: SILVER
 - OPERATING TEMPERATURE: -20°C to 55°C
 - INGRESS PROTECTION: IP65
 - LED VOLTAGE: BASE VOLTAGE 2.8V TYP.
 - ▲ DENOTES CRITICAL PARAMETER
 - 2011/65/EU (ROHS) COMPLIANT
 - HARDWARE INCLUDED: HEX NUT AND O-RING (NOT SHOWN)



B	23192	UPDATED THREAD FROM ..0.5 TO ..0.75	1/29/18	MJR
A	22789	New Release	3/31/17	MW
REV	PCR NO	DESCRIPTION	DATE	BY

TITLE PV0H240SS-301				
SCALE 2:1	DATE 3/31/2017	DR MW	DWG 52-PV0H240SS301	REV B

THE INFORMATION CONTAINED IN THIS DOCUMENT IS PROPRIETARY TO E-SWITCH AND IS NOT TO BE COPIED OR TRANSFERRED