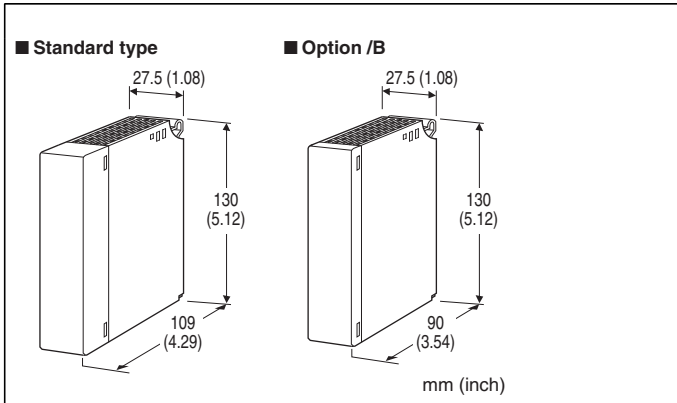


Remote I/O R3 Series

BLANK FILLER MODULE



MODEL: R3-DM[1]

ORDERING INFORMATION

- Code number: R3-DM[1]
- Specify a code from below for [1].
(e.g. R3-DM/B)

[1] OPTIONS

Housing (refer to the external dimensions)

- blank: Standard type
/B: Type B

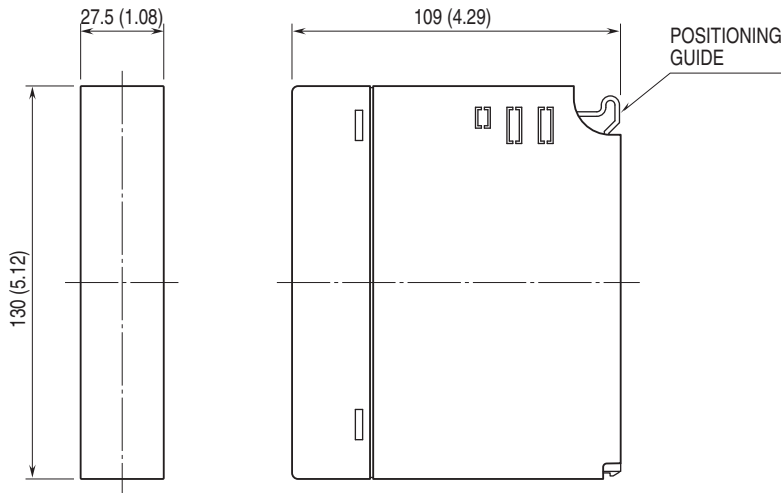
INSTALLATION

Mounting: Installation Base (model: R3-BSx)

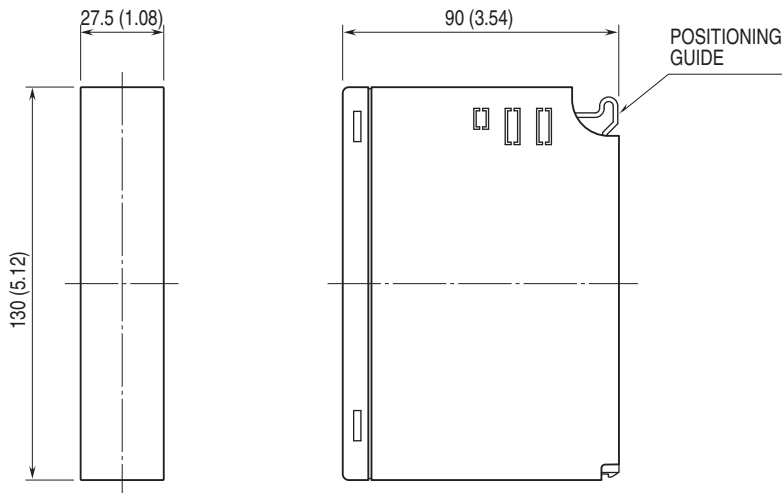
Weight: 150 g (0.33 lb)

EXTERNAL DIMENSIONS unit: mm (inch)

■ STANDARD TYPE



■ OPTION /B



Specifications are subject to change without notice.