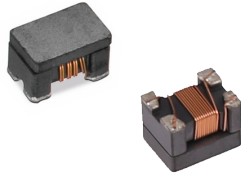


**SCM Series**  
Common Mode Filter  
Size 3225



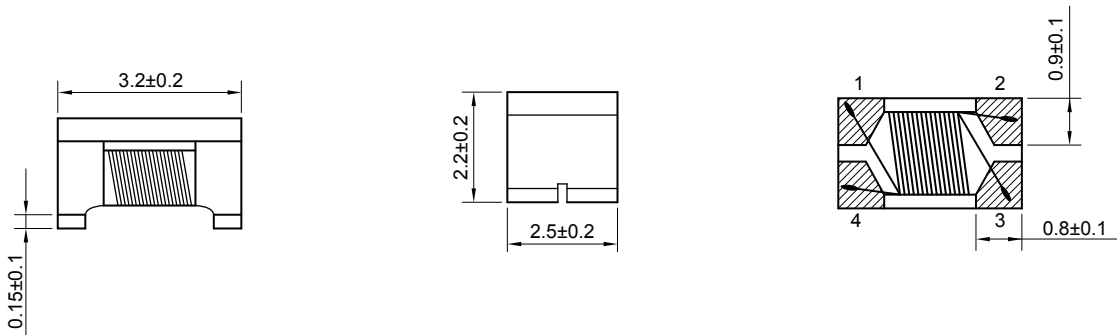
**FEATURES**

- High common mode impedance for outstanding noise suppression performance.
- Small influence on high speed signals through good coupling.
- Operating temperature -40~+125 C (Including self - temperature rise)
- Excellent solderability

**FEATURES**

- USB2.0 lines for PC, TV, Peripheral equipments
- Standard signal lines
- Audio lines
- Power lines

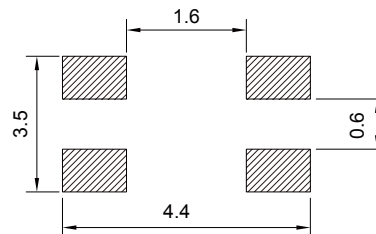
**Dimensions: [mm]**



**Schematic:**



**Land Pattern: [mm]**



**Electrical Properties:**

Part No	Impedance @ 100 MHz (Ω)	Tolerance	DC Resistance Max. (Ω)	Rated Current Max. (mA)	Rated Volt Max. (V)	Withstand Volt Max. (V)	IR Min. (MΩ)
SCM3225-900-10	90	±25%	0.05	1000	50	125	10
SCM3225-601-10	600	±25%	0.20	1000	50	125	10
SCM3225-102-04	1000	±25%	0.30	400	50	125	10

Typical Electrical Characteristics:

Impedance VS Frequency

