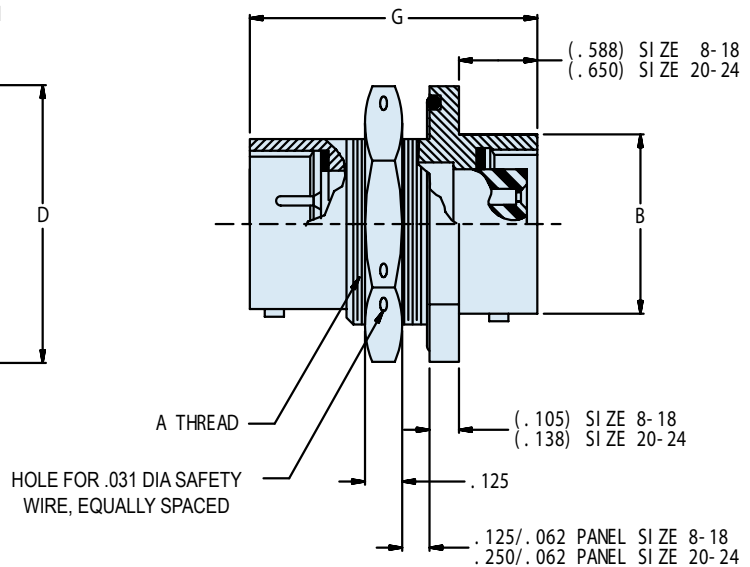
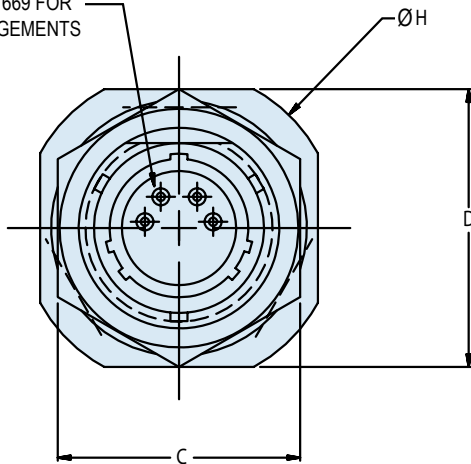


D

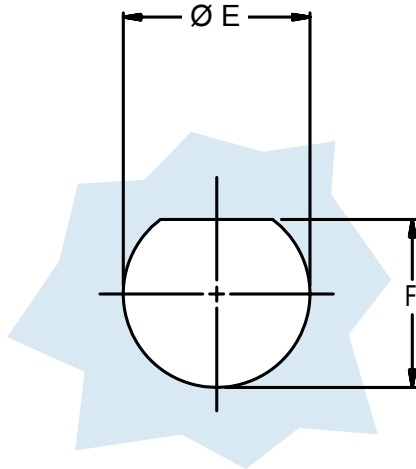
SEE MIL-STD-1669 FOR INSERT ARRANGEMENTS



947-292
**MIL-DTL-26482 Series II Type Hermetic
 Bayonet Coupling Jam Nut Mount
 Pin-Socket Bulkhead Feedthrough Receptacle**



MIL-DTL
 26482 Type



Panel Cut Out

HERMETIC LEAK RATE MOD CODES	
Designator	Required Leak Rate
-585A	1 x 10 ⁻¹⁰ cc's Helium per second
-585B	1 x 10 ⁻⁹ cc's Helium per second
-585C	1 x 10 ⁻⁸ cc's Helium per second

D

TABLE I: CONNECTOR AND CUT-OUT DIMENSIONS

Shell Size	A Thread Class 2A	B Dia Max	C Hex	D Flats	E Dia +.010 -.005 (+.03 -.01)	F Dim +.010 -.005 (+.03 -.01)	G Max	H Dia ± .016 (0.4)
8	9/16-24 UNEF	.474 (12.0)	.750 (19.1)	.954 (24.2)	.572 (14.5)	.536 (13.6)	1.420 (36.1)	1.062 (27.0)
10	11/16-24 UNEF	.591 (15.0)	.875 (22.2)	1.078 (27.4)	.697 (17.7)	.661 (16.8)	1.420 (36.1)	1.187 (30.1)
12	7/8-20 UNEF	.751 (19.1)	1.062 (27.0)	1.266 (32.2)	.895 (22.7)	.824 (20.9)	1.420 (36.1)	1.375 (34.9)
14	1-20 UNEF	.876 (22.3)	1.188 (30.2)	1.391 (35.3)	1.010 (25.7)	.948 (24.1)	1.420 (36.1)	1.500 (38.1)
16	1 1/8-18 UNEF	1.001 (25.4)	1.312 (33.3)	1.516 (38.5)	1.135 (28.8)	1.072 (27.2)	1.420 (36.1)	1.625 (41.3)
18	1 1/4-18 UNEF	1.126 (28.6)	1.438 (37.0)	1.641 (41.7)	1.260 (32.0)	1.197 (30.4)	1.420 (36.1)	1.750 (44.5)
20	1 3/8-18 UNEF	1.251 (31.8)	1.562 (39.7)	1.828 (46.4)	1.385 (35.2)	1.322 (33.6)	1.580 (40.1)	1.938 (49.2)
22	1 1/2-18 UNEF	1.376 (35.0)	1.688 (42.9)	1.954 (49.6)	1.510 (38.0)	1.447 (36.8)	1.580 (40.1)	2.062 (52.4)
24	1 5/8-18 UNEF	1.501 (38.1)	1.812 (46.0)	2.087 (53.0)	1.635 (41.5)	1.572 (39.9)	1.620 (41.1)	2.187 (55.5)

APPLICATION NOTES

- To be identified with manufacturer's name, part number and date code, space permitting.
 - Hermeticity: <1x10⁻⁷ cc/sec @ 1 ATM differential
 - Material/Finish:
 Shell and jam-nut: Z1 - CRES/nickel plated.
 Titanium and Inconel® available. Consult factory.
 - Metric Dimensions (mm) are indicated in parentheses.
- Contacts - Alloy 52/gold plate.
 Bayonets - CRES/passivated.
 Insulator - Vitreous glass seal
 Seals - Fluorosilicone/N.A.
 Spacer - High grade rigid dielectric/N.A.