

PLEASE CHECK WWW.MOLEX.COM FOR LATEST PART INFORMATION

Part Number: [0905712109](#)
Status: **Active**
Description: 2.54mm (.100") Pitch QF-50™ Header, Vertical, Dual Row, Shrouded, DIN Keying, 10 Circuits, Tin

Documents:

[Drawing \(PDF\)](#) [RoHS Certificate of Compliance \(PDF\)](#)

Agency Certification

CSA	LR19980
UL	E29179

General

Product Family	Ribbon Cable / Wire Trap Connectors
Series	90571
Comments	Eject Levers
Component Type	PCB Header
Glow-Wire Compliant	No
Product Name	QF-50™

Physical

Circuits (Loaded)	10
Circuits (maximum)	10
Color - Resin	Black
Durability (mating cycles max)	50
Entry Angle	Vertical
Flammability	94V-0
Lock to Mating Part	None
Material - Metal	Brass
Material - Plating Mating	Tin
Material - Plating Termination	Tin
Material - Resin	Polyester
Number of Rows	2
PCB Locator	No
PCB Retention	None
PCB Thickness Recommended (in)	0.062 In
PCB Thickness Recommended (mm)	1.60 mm
Packaging Type	Tray
Pitch - Mating Interface (in)	0.100 In
Pitch - Mating Interface (mm)	2.54 mm
Pitch - Term. Interface (in)	0.100 In
Pitch - Term. Interface (mm)	2.54 mm
Plating min: Termination (µin)	120
Plating min: Termination (µm)	3
Polarized to Mating Part	Yes
Polarized to PCB	No
Shrouded	Closed Ends
Stackable	Yes
Surface Mount Compatible (SMC)	No
Temperature Range - Operating	-25°C to +85°C
Termination Interface: Style	Through Hole
Wire Insulation Diameter	N/A
Wire Size AWG	N/A
Wire/Cable Type	Ribbon Cable

Electrical

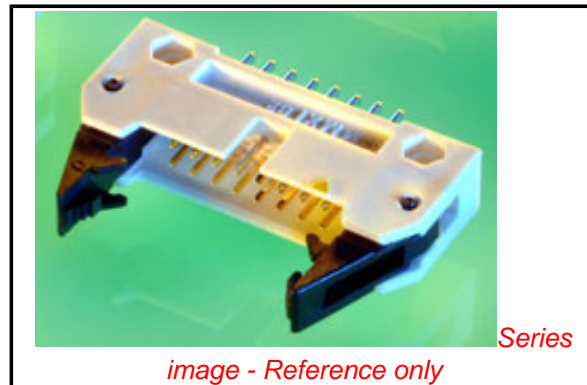


image - Reference only

EU RoHS

China RoHS

Compliance Status

Not Reviewed

REACH SVHC

Not Reviewed

Halogen-Free

Status

Not Reviewed

Need more information on product environmental compliance?

Email productcompliance@molex.com
 For a multiple part number RoHS Certificate of Compliance, [click here](#)

Please visit the [Contact Us](#) section for any non-product compliance questions.

Search Parts in this Series

[90571Series](#)

Mates With

[90635 QF-50™ Female Housing](#)

Current - Maximum per Contact
Voltage - Maximum

1A
250V

Material Info

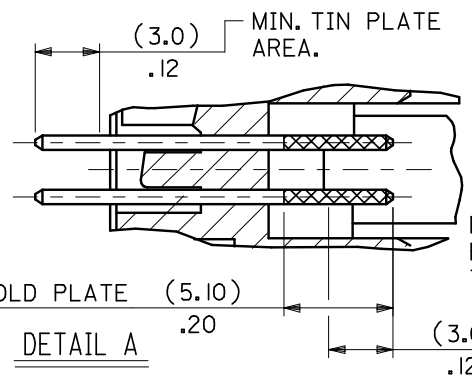
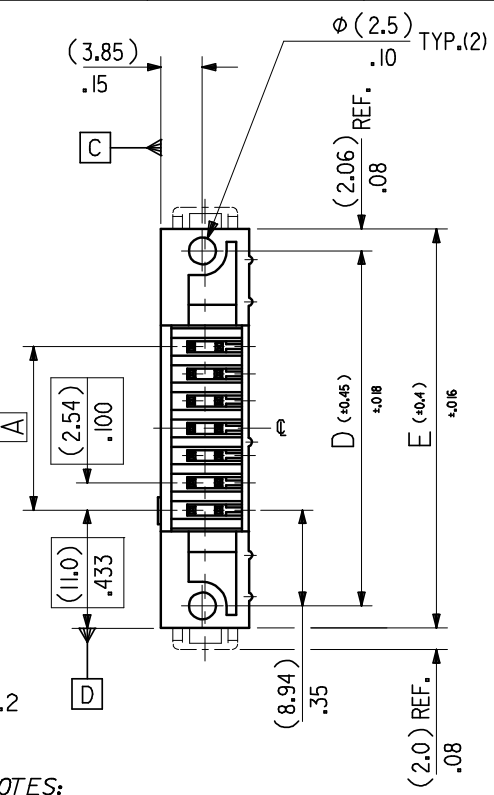
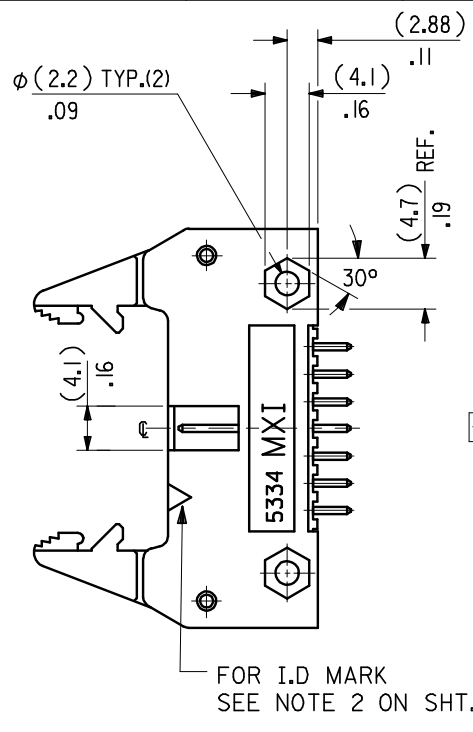
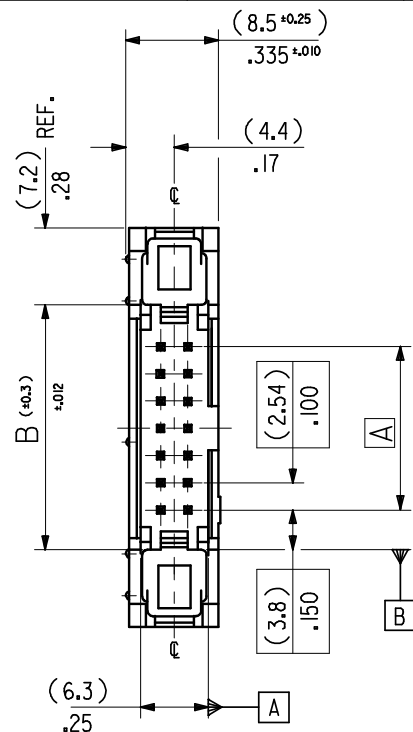
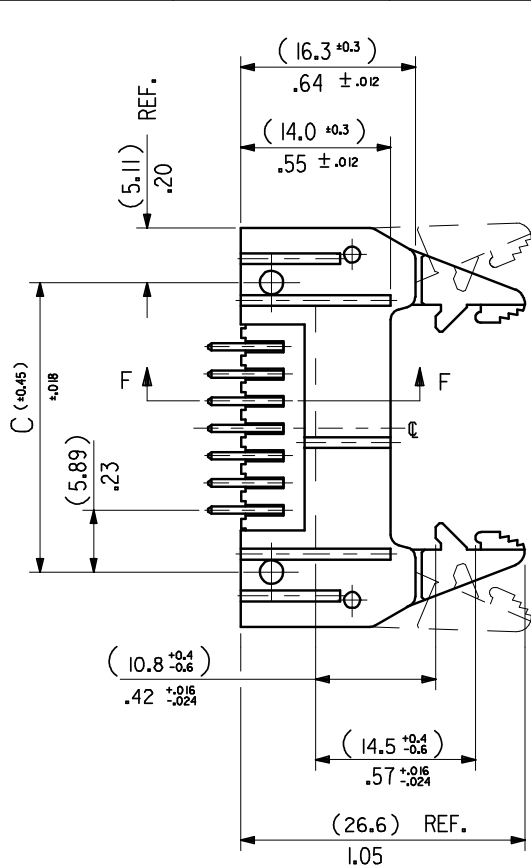
Reference - Drawing Numbers

Sales Drawing

SDA-90571

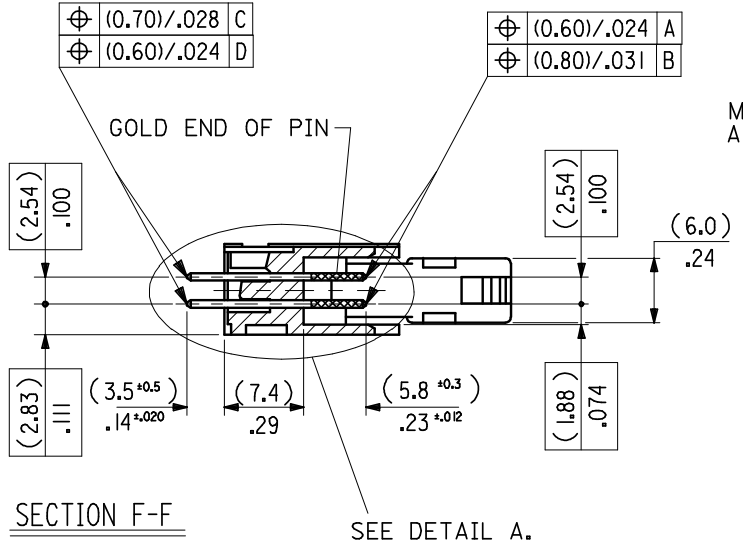
This document was generated on 06/08/2010

PLEASE CHECK WWW.MOLEX.COM FOR LATEST PART INFORMATION

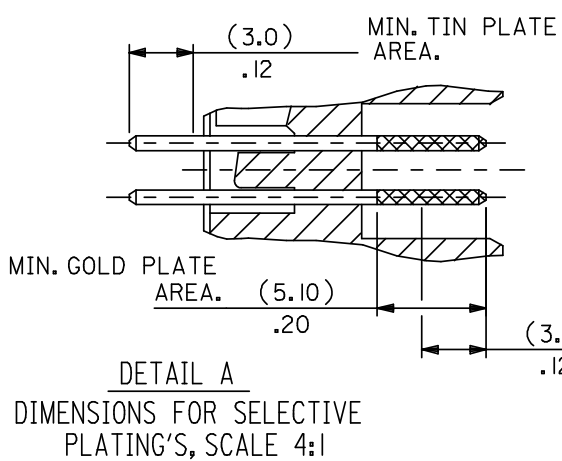
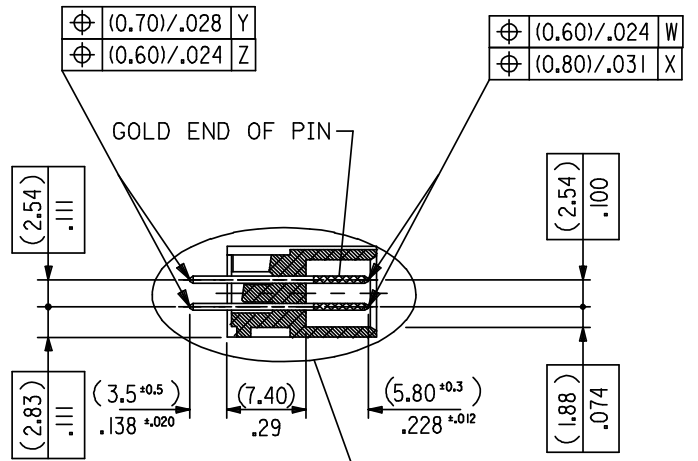
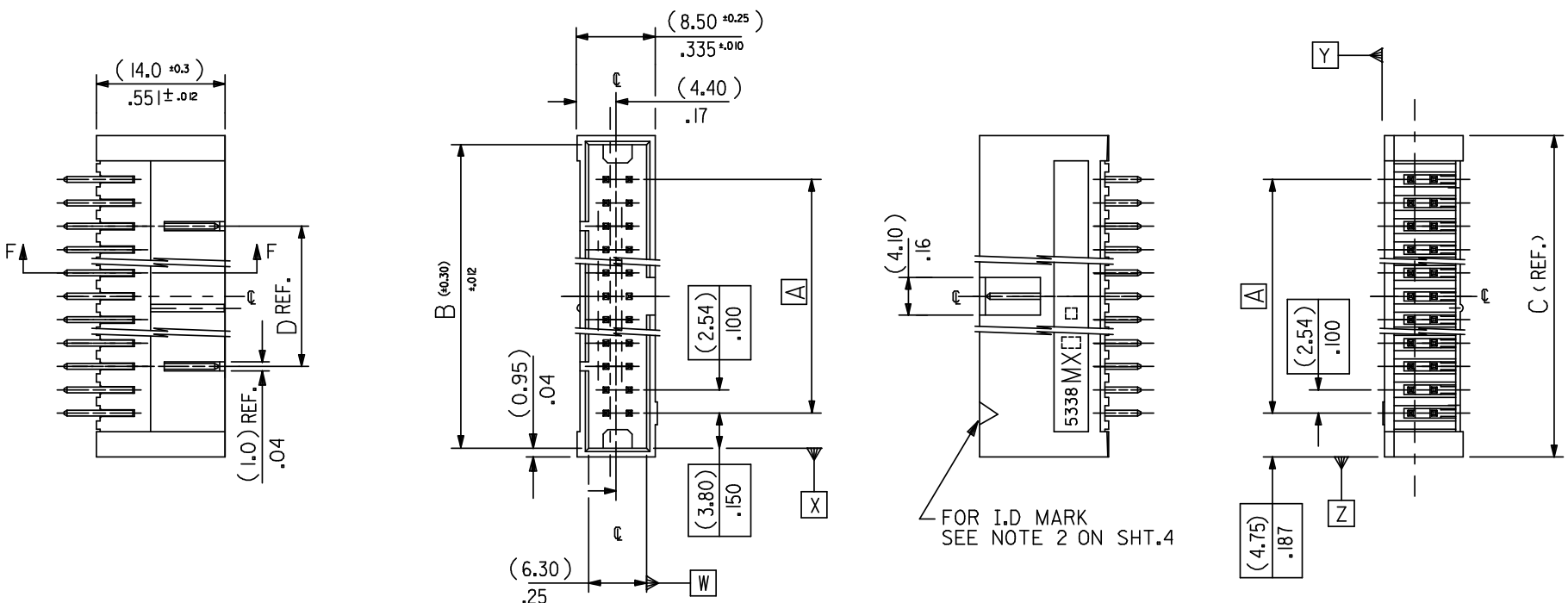


DIMENSIONS FOR SELECTIVE PLATING'S, SCALE 4:1

- NOTES:
- 1: FOR MATERIAL SPECIFICATION SEE NOTE 1. ON SHEET 2.
 - 2: FOR RECOMMENDED P.C.B.HOLE PATTERN, PART No's AND UNSTATED DIMENSIONS SEE SHEET 2.
 - 3: PRODUCT SPEC. No. :PS 99020-0015



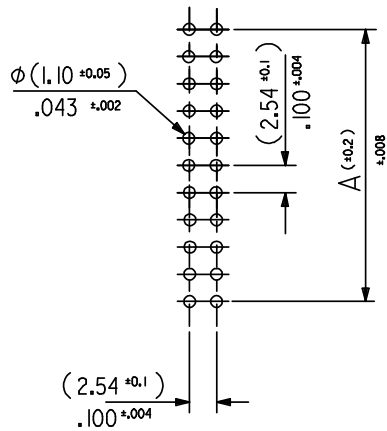
CHANGED GEN TOL. EC NO: E2008-0461 DRWN: NIKI ERNAN 2008/03/05 CHKD: 2008/03/06 APPR: BMAGUIRE 2008/03/06	QUALITY SYMBOLS ▼ = ▽ =	GENERAL TOLERANCES (UNLESS SPECIFIED)		DIMENSION STYLE IN/MM		SCALE 2:1	DESIGN UNITS INCH	THIRD ANGLE PROJECTION	
		4 PLACES ± --- ±	3 PLACES ± ±	2 PLACES ±0.15 ±.005	1 PLACE ±0.02 ±.008	ANGULAR ±1/2°	DRAWN BY SM	DATE 3 /8/90	CHECKED BY X
DRAFT WHERE APPLICABLE MUST REMAIN WITHIN DIMENSIONS		MATERIAL NO.		DOCUMENT NO. SDA-90571		TITLE QIK FLECS WIPE FEMALE MOLEX INCORPORATED		SHEET NO. 1 OF 4	
THIS DRAWING CONTAINS INFORMATION THAT IS PROPRIETARY TO MOLEX INCORPORATED AND SHOULD NOT BE USED WITHOUT WRITTEN PERMISSION									



- NOTES:
- FOR MATERIAL SPECIFICATION SEE NOTE 1. ON SHEET 4.
 - FOR RECOMMENDED P.C.B.HOLE PATTERN, PART No's AND UNSTATED DIMENSIONS SEE SHEET 4.
 - PRODUCT SPEC. No. : PS-99020-0015

CHANGED GEN TOL. EC NO: E2008-0461 DRWN:KJERNAN 2008/03/05 CHKD: 2008/03/06 APPR:BYAGUIRE 2008/03/06	QUALITY SYMBOLS	GENERAL TOLERANCES (UNLESS SPECIFIED)	DIMENSION STYLE	SCALE	DESIGN UNITS	THIRD ANGLE PROJECTION															
	$\nabla =$ $\sphericalangle =$	<table border="1"> <thead> <tr> <th></th> <th>mm</th> <th>INCH</th> </tr> </thead> <tbody> <tr> <td>4 PLACES</td> <td>± .---</td> <td>±</td> </tr> <tr> <td>3 PLACES</td> <td>±</td> <td>±</td> </tr> <tr> <td>2 PLACES</td> <td>± 0.15</td> <td>± .005</td> </tr> <tr> <td>1 PLACE</td> <td>± 0.20</td> <td>± .008</td> </tr> </tbody> </table>		mm	INCH	4 PLACES	± .---	±	3 PLACES	±	±	2 PLACES	± 0.15	± .005	1 PLACE	± 0.20	± .008	IN/MM	2:1	INCH	
		mm	INCH																		
	4 PLACES	± .---	±																		
3 PLACES	±	±																			
2 PLACES	± 0.15	± .005																			
1 PLACE	± 0.20	± .008																			
REV	DESCRIPTION	DRAFT WHERE APPLICABLE MUST REMAIN WITHIN DIMENSIONS	DRAWN BY: SM DATE: 3/8/90 CHECKED BY: _____ DATE: _____ APPROVED BY: _____ DATE: _____	TITLE	QIK FLECS HEADER FOR IMPROVED WIPE FEMALE MOLEX INCORPORATED																
			MATERIAL NO. SEE CHART	DOCUMENT NO. SDA-90571	SHEET NO. 3 OF 4																

(78.74)/3.100	(86.34)/3.400	(88.24)/3.474	(63.50)/2.500	90571-2641	90571-2642	90571-2643	—————	64
(73.66)/2.900	(81.26)/3.200	(83.16)/3.274	(50.80)/2.000	↑ -2601	↑ -2602	↑ -2603	—————	60
(60.96)/2.400	(68.56)/2.700	(70.46)/2.774	(38.10)/1.500	-2501	-2502	-2503	90571-2509	50
(48.26)/1.900	(55.86)/2.200	(57.76)/2.274	(33.02)/1.300	-2401	-2402	-2403	↑ -2409	40
(40.64)/1.600	(48.24)/1.900	(50.14)/1.974	(30.48)/1.200	-2341	-2342	-2343	-2349	34
(35.56)/1.400	(43.16)/1.700	(45.06)/1.774	(25.40)/1.000	-2301	-2302	-2303	-2309	30
(30.48)/1.200	(38.08)/1.500	(39.98)/1.574	—————	-2261	-2262	-2263	-2269	26
(22.86)/.900	(30.46)/1.200	(32.36)/1.274	—————	-2201	-2202	-2203	-2209	20
(17.78)/.700	(25.38)/1.000	(27.28)/1.074	—————	-2161	-2162	-2163	-2169	16
(15.24)/.600	(22.84)/.900	(24.74)/.974	—————	↓ -2141	↓ -2142	↓ -2143	↓ -2149	14
(10.16)/.400	(17.76)/.700	(19.66)/.774	—————	90571-2101	90571-2102	90571-2103	90571-2109	10
A	B	C	D	ENG. NO. GS1 PLATING	ENG. NO. GS2 PLATING	ENG. NO. GS3 PLATING	ENG. NO. PRE TIN	NO.OF CKTS.



RECOMMENDED P.C.B. HOLE PATTERN.

NOTES

1. MATERIAL

HEADER : GLASS FILLED POLYESTER (UL 94V0), COLOUR - BLACK.
PINS : BRASS SIZE \square (0.635)/.025 .

2. COLOUR IDENTIFICATION MARK FOR PLATING OPTIONS.

90571-2**1, (1um)/39uin MIN. NICKEL UNDERPLATE. CONTACT AREA
GS1 PLATING (0.1um)/4uin MIN. GOLD. SOLDER AREA (3um)/118uin MIN.
TIN. COLOUR MARK: YELLOW.

90571-2**2, (1um)/39uin MIN. NICKEL UNDERPLATE. CONTACT AREA
GS2 PLATING (0.76um)/30uin MIN. GOLD. SOLDER AREA (3um)/118uin MIN.
TIN. COLOUR MARK: BROWN.

90571-2**3, (1um)/39uin MIN. NICKEL UNDERPLATE. CONTACT AREA
GS3 PLATING (0.25um)/10uin MIN. GOLD. SOLDER AREA (3um)/118uin MIN.
TIN. COLOUR MARK: BLUE.

90571-2**9, (0.5-1um)/20-40uin NICKEL UNDER (1.0-3.0um)/39-118uin TIN.
PRE-TIN COLOUR MARK: BLACK, (NO MARK).

3. RECOMMENDED PCB THICKNESS 1.6mm

CHANGED GEN TOL EC NO: E2008-0461 DRWN: ILK/ERNAN 2008/03/05 CHKD: 2008/03/06 APPR: BMAGUIRE 2008/03/06	QUALITY SYMBOLS = =	GENERAL TOLERANCES (UNLESS SPECIFIED)		DIMENSION STYLE	SCALE	DESIGN UNITS	THIRD ANGLE PROJECTION	
		mm	INCH	IN/MM	2:1	INCH		
		4 PLACES ± ---	±	DRAWN BY	DATE	TITLE	QIK FLECS HEADER FOR IMPROVED WIPE FEMALE MOLEX INCORPORATED	
		3 PLACES ±	±	SM	3/8/90	SDA-90571		
2 PLACES ± 0.15	± .005	CHECKED BY	DATE	APPROVED BY	DATE	MATERIAL NO.	DOCUMENT NO.	SHEET NO.
1 PLACE ± 0.20	± .008	ANGULAR ± 1/2°		SEE CHART	SDA-90571	THIS DRAWING CONTAINS INFORMATION THAT IS PROPRIETARY TO MOLEX INCORPORATED AND SHOULD NOT BE USED WITHOUT WRITTEN PERMISSION	4 OF 4	
DRAFT WHERE APPLICABLE MUST REMAIN WITHIN DIMENSIONS								