

PLEASE CHECK WWW.MOLEX.COM FOR LATEST PART INFORMATION

Part Number: [0834219042](#)
Status: **Active**
Overview: [commercial_microd](#)
Description: Comercial Micro-D, CMD Single Ended, 9 Circuits, Female - Pigtail, 0.46m (1.50') Length

Documents:

[Drawing \(PDF\)](#) [RoHS Certificate of Compliance \(PDF\)](#)
[Product Specification PS-83421-001 \(PDF\)](#)

General

Product Family	Cable Assemblies
Series	83421
Connector to Connector	Commercial Micro-D-to-Pigtail
Overview	commercial_microd
Product Literature Order No	USA-063
Product Name	Commercial Micro-D

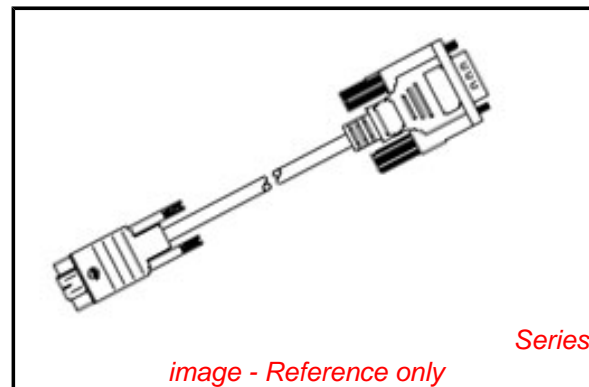
Physical

Cable Length	0.46m (1.50')
Circuits (Loaded)	9
Gender	Female-Pigtail
Lock to Mating Part	None
Material - Plating Mating	Gold
Material - Plating Termination	Tin
Packaging Type	Bag
Plating min: Mating (µin)	5
Plating min: Mating (µm)	0.125
Plating min: Termination (µin)	50
Plating min: Termination (µm)	1.25
Single Ended	Yes
Termination Interface: Style	Crimp or Compression
Wire Insulation Diameter	.225mm (5.720") max.
Wire Size AWG	28
Wire/Cable Type	N/A

Material Info

Reference - Drawing Numbers

Packaging Specification	PK-83422-001
Product Specification	PS-83421-001
Sales Drawing	SD-83421-9023



EU RoHS

**ELV and RoHS
Compliant**
REACH SVHC
 Not Reviewed
**Halogen-Free
Status**

China RoHS



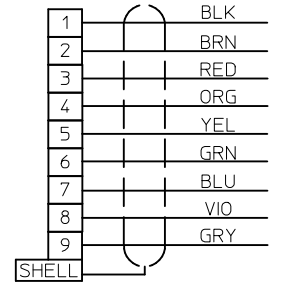
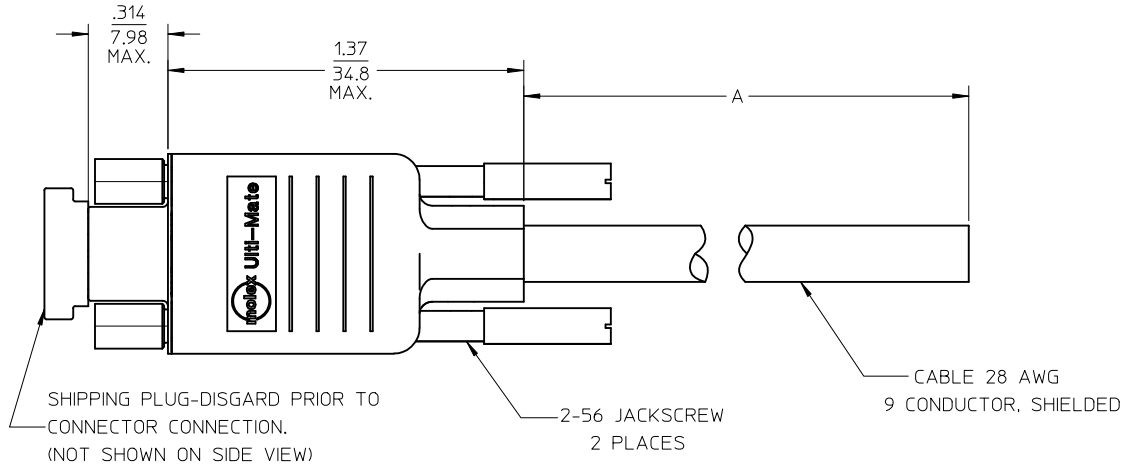
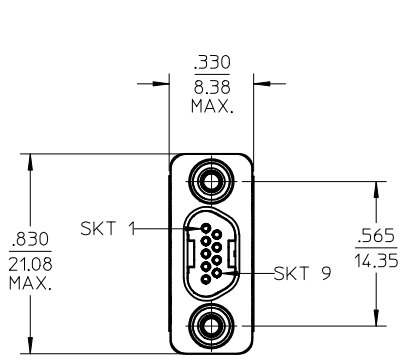
**Need more information on product
environmental compliance?**

Email productcompliance@molex.com
 For a multiple part number RoHS Certificate of Compliance, [click here](#)

Please visit the [Contact Us](#) section for any non-product compliance questions.

Search Parts in this Series
[83421Series](#)

PART NUMBER	A (inch)	LENGTH TOL.
834219023	4.5"	+5 -0
834219042	18.5"	+5 -0
834219043	36.5"	+75 -0
834219044	72.5"	+150 -0
834219060	300.0"	+6.25 -0



NOTES:
 1) OVERMOLD ASSEMBLY
 2) RoHS COMPLIANT

ADD PART NUM. EC NO: WNA2010-0391 DRWN:BRUPERT 2010/01/29 CHKD:BRUPERT 2010/03/29 APPR: JFMURPHY 2010/03/29	QUALITY SYMBOLS ▽=0 ◻=0	GENERAL TOLERANCES (UNLESS SPECIFIED)		DIMENSION STYLE IN/MM		SCALE 2:1	DESIGN UNITS INCH	THIRD ANGLE PROJECTION			
			mm	INCH	DRAWN BY D.URBACH	DATE 2AUG99	TITLE CMD CONNECTOR ASSEMBLY 9 CIRCUIT				
		4 PLACES ± --- ± ---	3 PLACES ± --- ± .005	2 PLACES ± --- ± .01	1 PLACE ± --- ± ---	CHECKED BY F.VAN WYK	DATE	MOLEX INCORPORATED			
		ANGULAR ± 2 °				APPROVED BY JFMURPHY	DATE 2010/03/29	DOCUMENT NO. SD-83421-9023		SHEET NO. 1 OF 1	
DRAFT WHERE APPLICABLE MUST REMAIN WITHIN DIMENSIONS				SEE CHART		THIS DRAWING CONTAINS INFORMATION THAT IS PROPRIETARY TO MOLEX INCORPORATED AND SHOULD NOT BE USED WITHOUT WRITTEN PERMISSION					