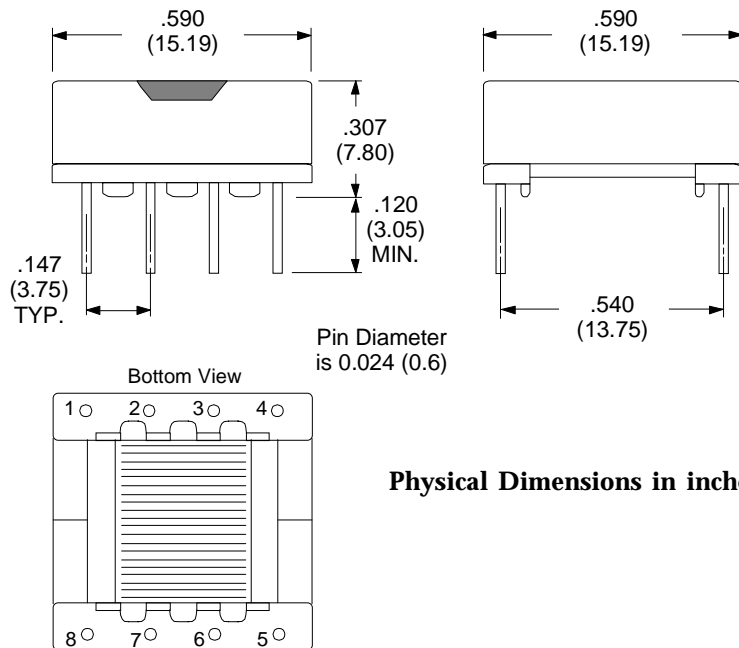
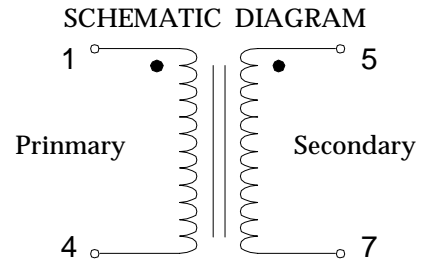


T-1470

Telecommunication Transformer

PARAMETER		UNITS
Turns Ratio	1 : 1 $\pm 3\%$	
Primary Impedance	600	Ω
Secondary Impedance	600	Ω
Power Level	-45 to +7	dBm
Insertion Loss @ 1 kHz, 0 dBm	1.4 Typ.	dB
Frequency Response 0.3 - 4 kHz, 0 dBm	± 0.5	dB
DC Unbalance	0	mA
Longitudinal Balance 0.200 to 4 kHz	60 Min.	dB
Primary DCR (Pins 1-4)	76 $\pm 20\%$.	Ω
Secondary DCR (5-7)	135 $\pm 20\%$.	Ω
THD @ 300 Hz, 0dBm	-0.5 Max.	%
Isolation (HI-POT) (Pri. to Sec.)	1500	V_{RMS}
Isolation (HI-POT) (Pri. to Core.)	1500	V_{RMS}
Isolation (HI-POT) (Sec. to Core.)	1000	V_{RMS}



10/25/01