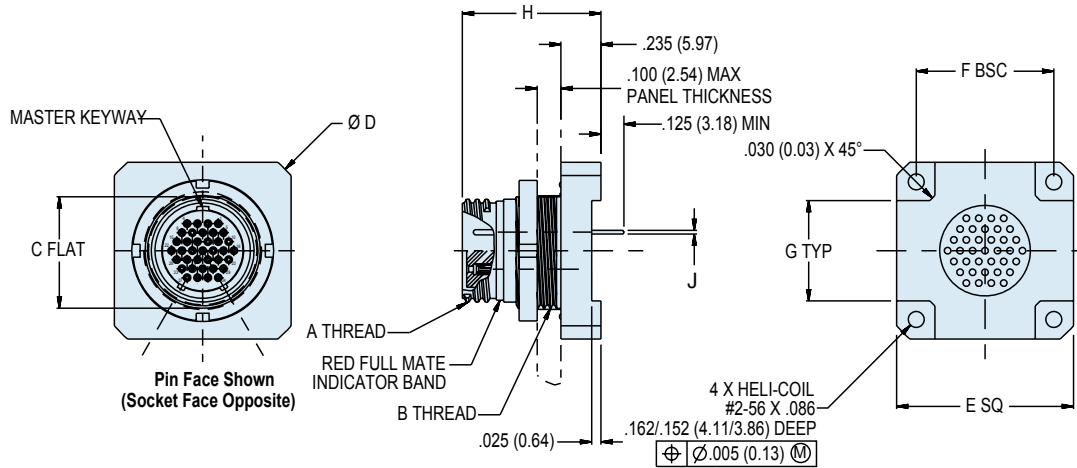


Series 801 Mighty Mouse Double-Start ACME Thread Square Flange Jam Nut PCB Receptacle 801-075-07 Dimensions



Series 801

Square flange jam nut PCB connector - shell style 07



Dimensions

Shell Size	A Thread	B Thread	C Flat		Ø D		E SQ		F BSC		G Typ		H	
			In.	mm.	In.	mm.	In.	mm.	In.	mm.	In.	mm.	In.	mm.
5	.3125-.05P-.1L-2A	.3750-28 UN-2A	.348	8.84	.720	18.29	.545	13.84	.363	9.22	.143	3.63	.772	19.61
6	.375-.05P-.1L-2A	.4375-28 UNEF-2A	.408	10.36	.800	20.32	.595	15.11	.423	10.74	.203	3.63	.772	19.61
7	.4375-.05P-1L2A	.5625-32 UN-2A	.534	13.56	.900	22.86	.723	18.36	.483	12.27	.263	3.63	.772	19.61
8	.5000-.05P-1L-2A	.5625-32 UN-2A	.534	13.56	.980	24.89	.723	18.36	.545	13.84	.325	3.63	.772	19.61
9	.5625-.05P-.1L-2A	.6250-28 UN-2A	.594	15.09	1.080	27.43	.790	20.06	.607	15.42	.387	3.63	.772	19.61
10	.6250-.05P-1L-2A	.6875-28 UN-2A	.656	16.66	1.160	29.46	.855	21.72	.670	17.02	.450	11.43	.772	19.61
11	.6875-.05P-1L-2A	.7500-28 UN-2A	.716	18.19	1.220	30.99	.925	21.72	.715	18.16	.495	12.57	.772	19.61
13	.8125-.1P-.2L-2A	.8750-28 UN-2A	.843	21.41	1.370	34.80	1.044	26.52	.812	20.62	.592	15.04	.881	22.38
16	1.0000-.1P-.2L-2A	1.0625-20 UN-2A	1.020	25.91	1.620	41.15	1.230	31.24	.981	24.92	.751	19.08	.881	22.38
17	1.0625-.1P-.2L-2A	1.1250-28 UN-2A	1.094	27.79	1.720	43.69	1.290	32.77	1.060	26.92	.840	21.34	.881	22.38
19	1.1875-.1P-.2L-2A	1.2500-28 UN-2A	1.225	31.16	1.920	48.77	1.415	35.94	1.191	30.25	.971	24.66	.881	22.38
21	1.3125-.1p-.2l-2a	1.3750-28 UN-2A	1.345	34.16	2.100	53.34	1.577	40.06	1.322	33.58	1.102	27.99	.881	22.38

PC Tails Dimensions

Contact Size	Ø J
#23	Ø .018/.022
#20	Ø .028/.024
#16	Ø .060/.064
#12	Ø .092/.096

Dimensions in Inches (millimeters) are subject to change without notice.

D