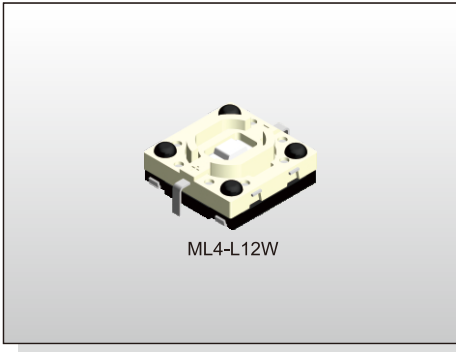


ILLUMINATED SWITCH ML4 SERIES

Tact Switch
Illuminated



FEATURES

- ※ Compact size 4.9x4.9 with LED
- ※ Ultra-thin: a height of 2.0mm

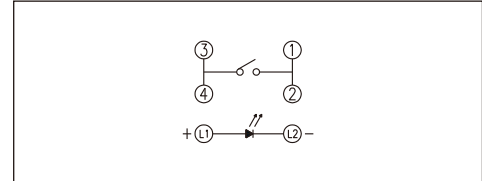
APPLICATION

- ※ NB, Monitor
- ※ Portable device
- ※ Tablet

SPECIFICATION

Contact Rating	50mA, 12V DC
Contact Resistance	100mΩ max.
Insulation Resistance	100MΩ min. 500V DC
Dielectric Strength	250V AC/1 minute
Operating Force	160±50gf
Travel	0.25mm
Operating Life	1,000, 000 cycles
Operating Temp.	-40°C ~ +85°C
Storage Temp.	-40°C ~ +85°C

CIRCUIT

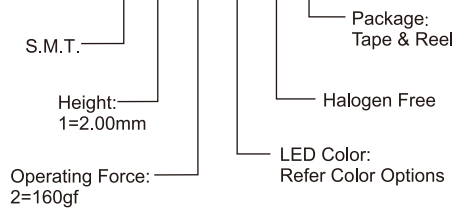


PACKAGE

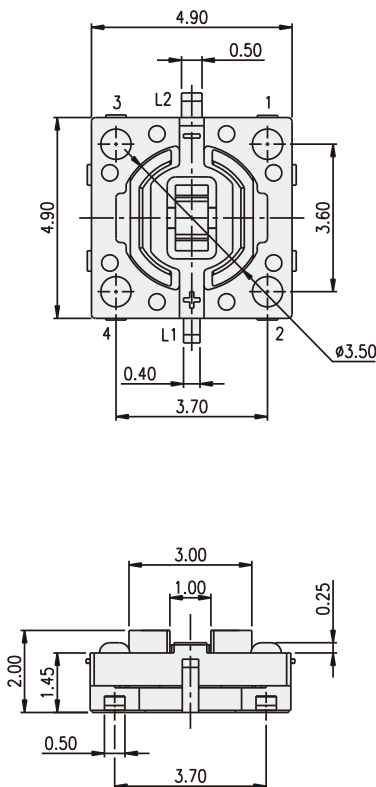
<Tape & Reel>
2500 pcs.

HOW TO ORDER

ML4-L□□QR



ML4



LED Color Options:

Part No.	Color	Dominant Wavelength λ_p Typ.(nm)	Luminous Intensity I_v (mcd)	Forward Voltage V_f (V)		View Angle $2\cdot\theta_{1/2}$ (Degree)
			Typ.	Typ.	Max.	
B	Blue	470	100	3.0	3.6	120°
G	Green	570	30	2.05	2.4	
R	Red	630	50	1.9	2.4	
W	Cold White	X:0.30 / Y:0.30	150	3.0	3.6	

