

# Aluminum Electrolytic Capacitors



**MIH Series**  
(105°C, 7mmL)

**MERITEK**

## FEATURES

- Wide temperature range series with 7mm height.



## SPECIFICATIONS

Item	Characteristic							
Operating Temp Range	- 55 ~ +105°C							
Rated Working Voltage	6.3 ~ 50VDC							
Capacitance Tolerance (120Hz 20°C)	± 20%(M)							
Leakage Current (20°C)	I ≤ 0.01CV or 3 (μA) * Whichever is greater after 2 minutes				I : Leakage Current (μA) C : Rated Capacitance(μF) V : Working Voltage (V)			
Surge Voltage (20°C)	W.V.	6.3	10	16	25	35	50	
	S.V.	8	13	20	32	44	63	
Dissipation Factor ( tan δ ) (120Hz 20°C)	W.V.	6.3	10	16	25	35	50	
	tan δ	0.24	0.21	0.18	0.15	0.13	0.12	
Low Temperature Stability	Impedance ratio at 120Hz							
	Rated Voltage (V)	6.3	10	16	25	35	50	
	-25°C / +20°C	3	2	2	2	2	2	
	-40°C / +20°C	6	5	4	3	3	3	
Load Life	After 1000 hours application of W.V. and +105°C ripple current value , the capacitor shall meet the following limits. ( DC + ripple peak voltage ≤ rated working voltage )							
	Capacitance Change	≤ ±25% of initial.						
	Dissipation Factor	≤ 200% of initial specified value						
	Leakage Current	≤ initial specified value						
Shelf Life	At +105°C no voltage application after 1000 hours the capacitor shall meet the limits for load life characteristics. ( with voltage treatment )							

## PART NUMBER SYSTEM

**MIH 10V 221 M TA 8x7**

Meritek Series

Rated Voltage

Capacitance

Express in micro farad(μF), First two digits are significant figures, Third digit denotes number of zeros. 'R' denotes decimal point for values less than 10μF

Tolerance

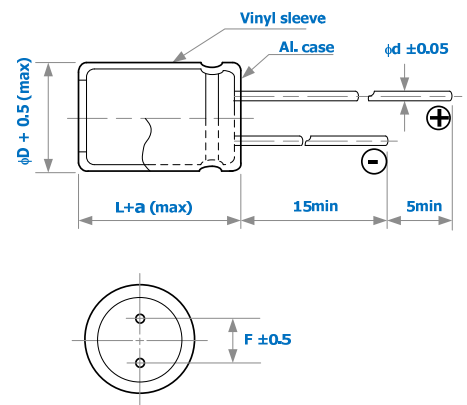
M - ±20%

Package

Code	TA	TR	Blank
	Tape & Ammo	Tape & Reel	

Case size - (D) Diameter x (L) Length in mm (Optional)

## DIMENSIONS (mm)



φD	4	5	6.3	8
F	1.5	2.0	2.5	3.5
d	0.45	0.45	0.45	0.50
a	1.0	1.0	1.0	1.0

# Aluminum Electrolytic Capacitors



**MIH Series**  
(105°C,7mmL)

**MERITEK**

## CASE SIZE & MAX RIPPLE CURRENT

Case size : DxL (mm)  
Max. ripple current : mA(rms) 105°C 120Hz

Cap. (uF)	V Item	6.3		10		16		25		35		50	
		DxL	R.C.	DxL	R.C.	DxL	R.C.	DxL	R.C.	DxL	R.C.	DxL	R.C.
0.1											→	4x7	3
0.22											→	4x7	5
0.33											→	4x7	6
0.47											→	4x7	7
1.0											→	4x7	11
2.2											→	4x7	19
3.3											→	4x7	24
4.7									→	4x7	24	5x7	29
10					→	4x7	29	5x7	33	5x7	36	6.3x7	45
22		4x7	34	5x7	41	5x7	46	6.3x7	51	6.3x7	60	8x7	75
33		5x7	46	5x7	50	6.3x7	65	6.3x7	70	8x7	85		
47		5x7	55	6.3x7	70	6.3x7	75	8x7	95				
100		6.3x7	90	6.3x7	100	6.3x7	110						
220		8x7	160	8x7	170								

All blank voltage on sleeve marking is the same voltage as “→” point to.