

PLEASE CHECK WWW.MOLEX.COM FOR LATEST PART INFORMATION

Part Number: **0471518121**
Status: **Active**
Overview: high definition multimedia interface hdmi
Description: 0.50mm (.020") Pitch HDMI* Receptacle, Right Angle, 0.76µm (30µ") Gold (Au) Plating, Mounted Height 16.08mm (.633"), Shell Nickel (Ni) Plated, with Flange and Back Cover, without Dimples, Black Housing, Tray Packaging, Lead Free

Documents:

[3D Model](#) [Product Specification PS-47152-001 \(PDF\)](#)
[Drawing \(PDF\)](#) [RoHS Certificate of Compliance \(PDF\)](#)

General

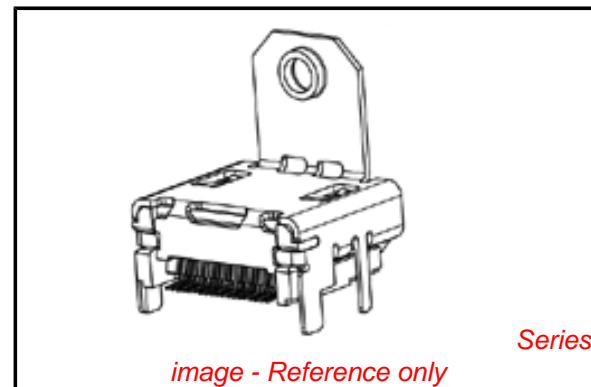
Product Family	I/O Connectors
Series	47151
Application	Wire-to-Board
Component Type	Receptacle
Overview	high definition multimedia interface hdmi
Product Name	HDMI
Type	N/A

Physical

Boot Color	N/A
Circuits (Loaded)	19
Color - Resin	Black
Gender	Male
Keying to Mating Part	Yes
Lock to Mating Part	Yes
Material - Metal	Copper Alloy
Material - Plating Mating	Gold
Material - Plating Termination	Tin-Bismuth
Material - Resin	High Temperature Thermoplastic
Number of Rows	2
Orientation	Right Angle
PCB Locator	No
PCB Retention	Yes
Packaging Type	Tray
Panel Mount	With Flange
Pitch - Mating Interface (in)	0.020 In
Pitch - Mating Interface (mm)	0.50 mm
Pitch - Term. Interface (in)	0.020 In
Pitch - Term. Interface (mm)	0.50 mm
Plating min: Mating (µin)	30
Plating min: Mating (µm)	0.76
Plating min: Termination (µin)	40
Plating min: Termination (µm)	1
Polarized to Mating Part	Yes
Polarized to PCB	Yes
Ports	1
Temperature Range - Operating	-20°C to +85°C
Termination Interface: Style	Surface Mount
Waterproof / Dustproof	No
Wire Size AWG	N/A

Electrical

Current - Maximum per Contact	.5A
Shielded	Yes



EU RoHS

**ELV and RoHS
Compliant**
**REACH SVHC
Contains SVHC: No**
**Halogen-Free
Status**

China RoHS



**Need more information on product
environmental compliance?**

Email productcompliance@molex.com
For a multiple part number RoHS Certificate of Compliance, [click here](#)

Please visit the [Contact Us](#) section for any non-product compliance questions.

Search Parts in this Series

47151Series

Mates With

88768 HDMI cable assembly, 88764 HDMI Adapter, 88767 HDMI Adapter

Voltage - Maximum 40V DC

Solder Process Data

Duration at Max. Process Temperature (seconds)	10
Lead-free Process Capability	Reflow Capable (SMT only)
Max. Cycles at Max. Process Temperature	2
Process Temperature max. C	250

Material Info

Reference - Drawing Numbers

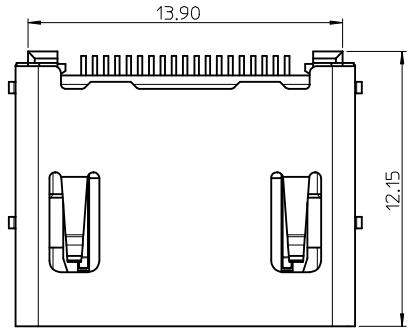
Packaging Specification	PK-47151-002
Product Specification	PS-47152-001, RPS-47632-001
Sales Drawing	SD-47151-101

* High Definition Multimedia Interface and HDMI are trademarks of HDMI Licensing, LLC.

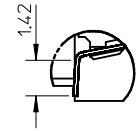
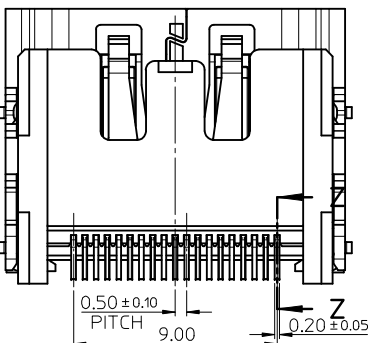
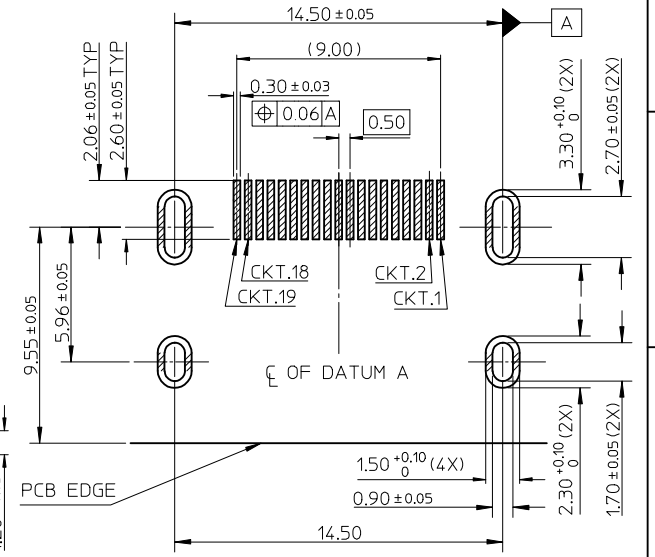
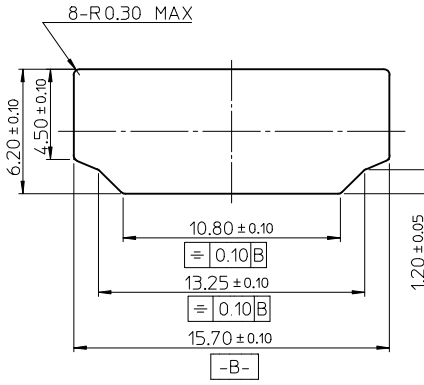
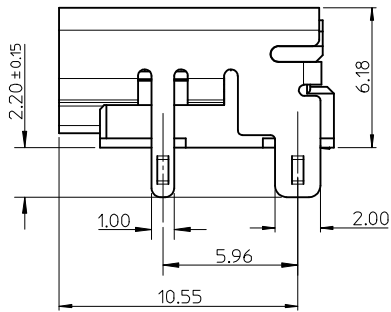
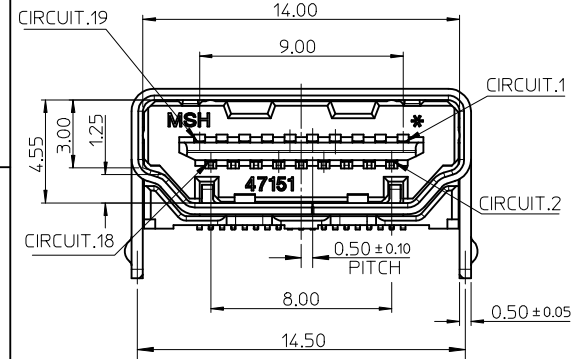
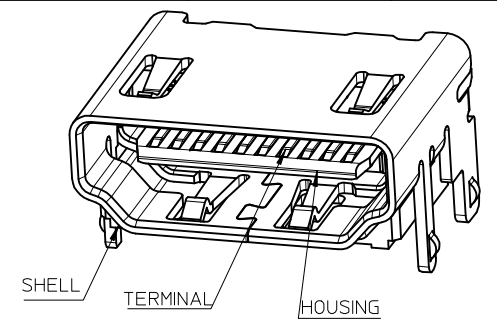
This document was generated on 06/01/2010

PLEASE CHECK WWW.MOLEX.COM FOR LATEST PART INFORMATION

10 9 8 7 6 5 4 3 2 1



- NOTES:
1. MATERIAL:
HOUSING: HIGH TEMPERATURE THERMAL PLASTIC.
SHELL: COPPER ALLOY.
TERMINAL: COPPER ALLOY.
 2. PLATING:
TERMINAL: CONTACT AREA: GOLD PLATING, SEE TABLE.
SOLDER AREA: 1 MICROMETER MIN. TIN-BISMUTH ALLOY PLATED.
UNDER PLATE: 1.27 MICROMETER MIN. NICKEL.
SHELL: 1.27 MICROMETER MIN. SOLDERABLE NICKEL PLATE OVERALL.
 3. COPLANARITY IS 0.1MM MAX.
 4. PRODUCT SPECIFICATION REFER TO PS-47152-001.
 5. PACKAGE SPECIFICATION FOR WITHOUT FLANGE REFER TO PK-47151-001.
 6. PRODUCT COMPLIANT TO ROHS DIRECTIVE 2002/95/EC AND ELV 2000/53/EC.



SECTION Z-Z

RECOMMENDED PANEL CUT OUT DIMENSION

RECOMMENDED PCB LAYOUT
CONNECTOR SIDE

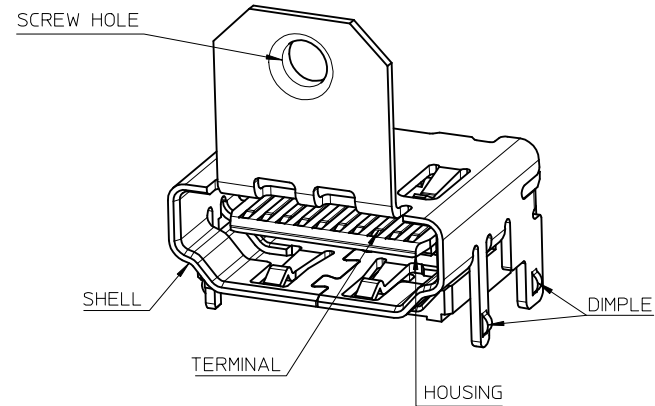
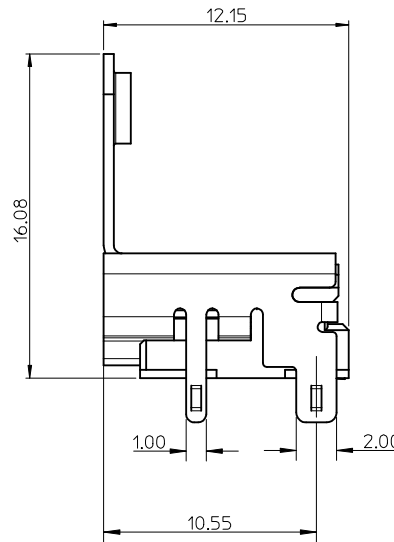
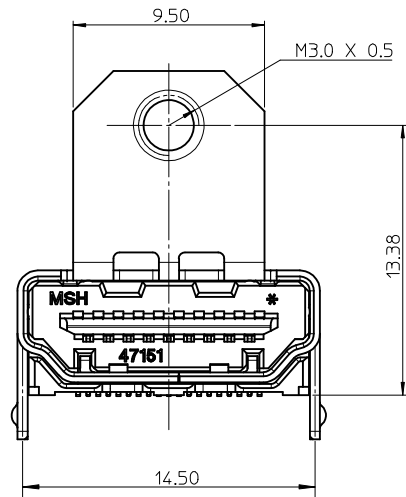
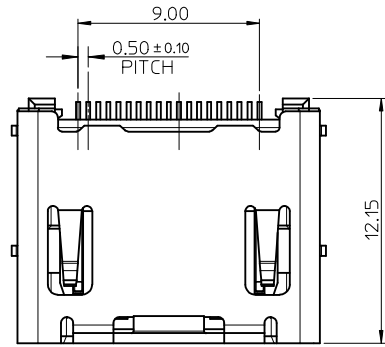
47151-8061	GOLD FLASH			
47151-8041	0.25 MICROMETER MIN.	WITHOUT	WITHOUT	WITH
47151-8001	0.76 MICROMETER MIN.			
PART NO.	CONTACT AREA PLATING	FLANGE	BACK COVER	DIMPLE

REVISED	EC NO: SH2009-0502	2009/01/23
	DRW:NCWTANG	2009/01/23
	CHKD:XJ SONG	
	APPR:HWANG	2009/02/10

QUALITY SYMBOLS	▽=0
	∇=0

GENERAL TOLERANCES (UNLESS SPECIFIED)	mm	INCH	
	4 PLACES	± ---	± ---
	3 PLACES	± ---	± ---
	2 PLACES	± 0.25	± ---
	1 PLACE	± ---	± ---
ANGULAR ± 3 °			
DRAFT WHERE APPLICABLE MUST REMAIN WITHIN DIMENSIONS			

DIMENSION STYLE		SCALE	DESIGN UNITS	THIRD ANGLE PROJECTION
MM ONLY		1:1	METRIC	
DRAWN BY	DATE	TITLE		
JZENG	2006/02/21	1.0 HDMI RIGHT ANGLE HEADER WITH DIMPLE TYPE LEAD FREE		
CHECKED BY	DATE	MOLEX INCORPORATED		
DIXON	2006/02/21	DOCUMENT NO. SD-47151-101		
APPROVED BY	DATE	SHEET NO. 1 OF 4		
GRATE MA	2006/02/21			
MATERIAL NO.				
SIZE		THIS DRAWING CONTAINS INFORMATION THAT IS PROPRIETARY TO MOLEX INCORPORATED AND SHOULD NOT BE USED WITHOUT WRITTEN PERMISSION		
A3				



NOTES:

1. THE UNSPECIFIED DIMENSIONS REFER TO SHEET 1.
2. PACKAGE SPECIFICATION FOR WITH FLANGE REFER TO PK-47151-002.

47151-8071	GOLD FLASH			
47151-8051	0.25 MICROMETER MIN.	WITH	WITHOUT	WITH
47151-8011	0.76 MICROMETER MIN.			
PART NO.	CONTACT AREA PLATING	FLANGE	BACK COVER	DIMPLE

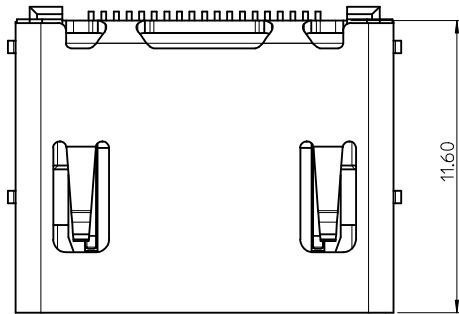
REVISED
 EC NO: SH2009-0502
 TDRWN: CWTANG 2009/01/23
 CHKD: XJSONG
 APPR: HWANG 2009/02/10

QUALITY SYMBOLS	DESCRIPTION
▽=0	
∇=0	

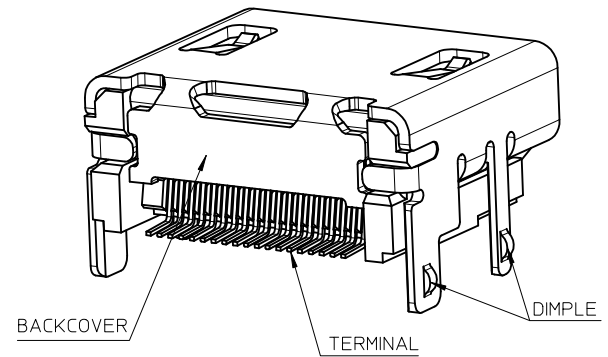
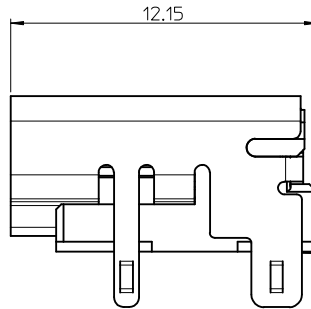
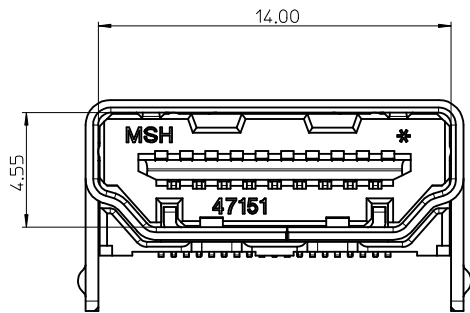
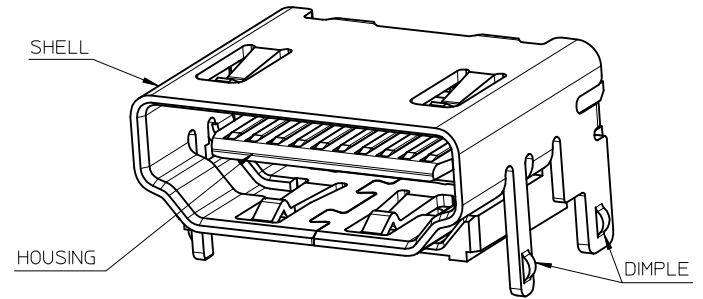
GENERAL TOLERANCES (UNLESS SPECIFIED)	
	mm INCH
4 PLACES	± --- ± ---
3 PLACES	± --- ± ---
2 PLACES	± 0.25 ± ---
1 PLACE	± --- ± ---
ANGULAR ± 3 °	
DRAFT WHERE APPLICABLE MUST REMAIN WITHIN DIMENSIONS	

DIMENSION STYLE	
MM ONLY	
DRAWN BY	DATE
JZENG	2006/02/21
CHECKED BY	DATE
DIXON	2006/02/21
APPROVED BY	DATE
GRATE MA	2006/02/21
MATERIAL NO.	
SEE TABLE	
SIZE	A3

SCALE	1:1
DESIGN UNITS	METRIC
THIRD ANGLE PROJECTION	
TITLE	
1.0 HDMI RIGHT ANGLE HEADER WITH DIMPLE TYPE LEAD FREE	
MOLEX INCORPORATED	
DOCUMENT NO.	SD-47151-101
SHEET NO.	2 OF 4
THIS DRAWING CONTAINS INFORMATION THAT IS PROPRIETARY TO MOLEX INCORPORATED AND SHOULD NOT BE USED WITHOUT WRITTEN PERMISSION	



WITH BACK COVER



NOTES:

1. THE UNSPECIFIED DIMENSIONS REFER TO 47151-8001.
2. PACKAGE SPECIFICATION FOR WITHOUT FLANGE:
 47151-8131/8141/8161 REFER TO PK-47151-004,
 47151-8031/8081/8091 REFER TO PK-47151-001.

47151-8131	0.76 MICROMETER MIN.	WITHOUT	WITH	WITHOUT
47151-8141	0.25 MICROMETER MIN.			
47151-8161	GOLD FLASH			
47151-8031	0.76 MICROMETER MIN.	WITHOUT	WITH	WITH
47151-8081	0.25 MICROMETER MIN.			
47151-8091	GOLD FLASH			
PART NO.	CONTACT AREA PLATING	FLANGE	BACK COVER	DIMPLE

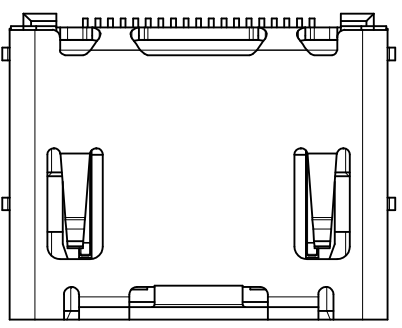
REVISED	EC NO: SH2009-0502	2009/01/23
	DRWN: CWTANG	2009/01/23
REV	CHKD: XJSONG	2009/02/10
	APPR: HWANG	2009/02/10

QUALITY SYMBOLS	$\nabla=0$ $\square=0$
DESCRIPTION	

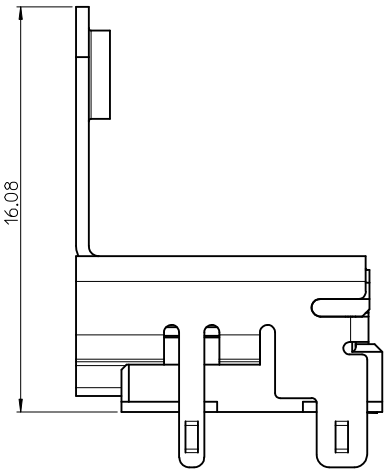
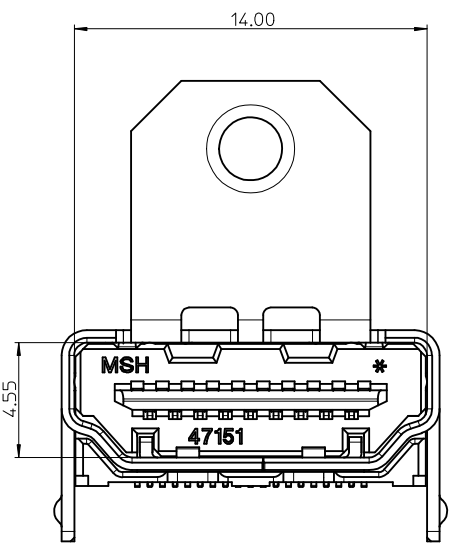
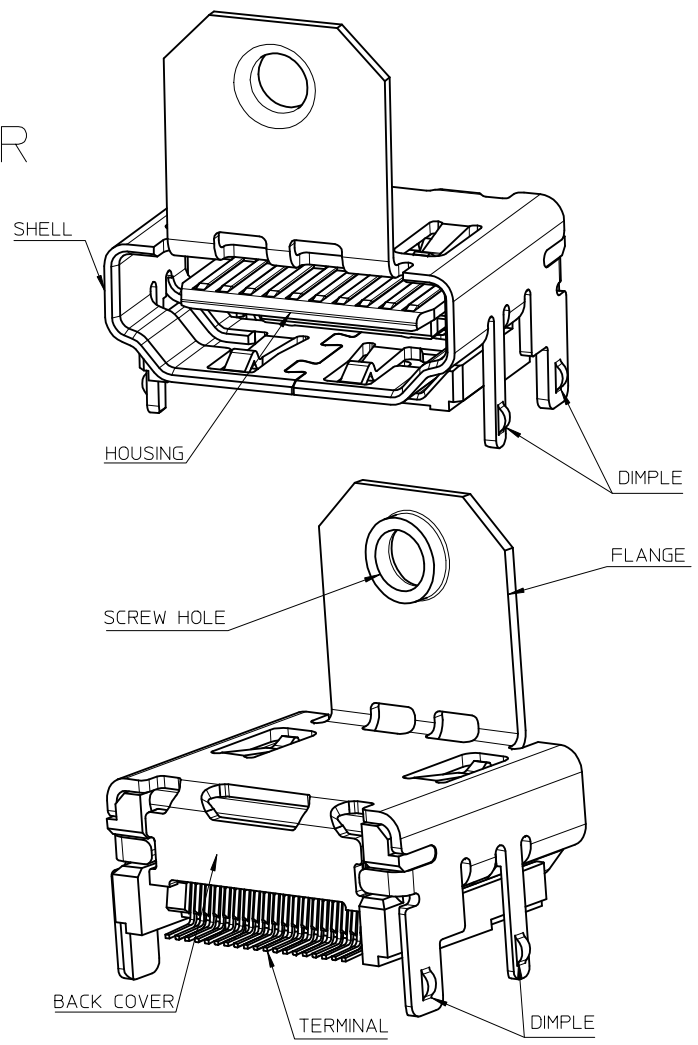
GENERAL TOLERANCES (UNLESS SPECIFIED)	mm	INCH	
	4 PLACES	± ---	± ---
	3 PLACES	± ---	± ---
	2 PLACES	± 0.25	± ---
	1 PLACE	± ---	± ---
	ANGULAR ± 3 °		
DRAFT WHERE APPLICABLE MUST REMAIN WITHIN DIMENSIONS			

DIMENSION STYLE		SCALE	DESIGN UNITS	THIRD ANGLE PROJECTION
MM ONLY		1:1	METRIC	
DRAWN BY	DATE	TITLE		
JZENG	2006/02/21	1.0 HDMI RIGHT ANGLE HEADER WITH DIMPLE TYPE LEAD FREE		
CHECKED BY	DATE	MOLEX INCORPORATED		
DIXON	2006/02/21	DOCUMENT NO. SD-47151-101		
APPROVED BY	DATE	SHEET NO. 3 OF 4		
GRATE MA	2006/02/21	THIS DRAWING CONTAINS INFORMATION THAT IS PROPRIETARY TO MOLEX INCORPORATED AND SHOULD NOT BE USED WITHOUT WRITTEN PERMISSION		
MATERIAL NO.	SEE TABLE			
SIZE	A3			

10 9 8 7 6 5 4 3 2 1



WITH BACK COVER



- NOTES:
 1. THE UNSPECIFIED DIMENSIONS REFER TO 47151-8011.
 2. PACKAGE SPECIFICATION FOR WITH FLANGE REFER TO PK-47151-002.

47151-8521	0.25 MICROMETER MIN.	WITH	WITH	WITHOUT
47151-8321	GOLD FLASH			
47151-8121	0.76 MICROMETER MIN.			
47151-8221	GOLD FLASH	WITH	WITH	WITH
47151-8421	0.25 MICROMETER MIN.			
47151-8021	0.76 MICROMETER MIN.			
PART NO.	CONTACT AREA PLATING	FLANGE	BACK COVER	DIMPLE

REVISED
 EC NO: SH2009-0502
 DRWN: CWTANG 2009/01/23
 CHKD: XJSONG
 APPR: HWANG 2009/02/10

QUALITY SYMBOLS
 ▽=0
 ◻=0

GENERAL TOLERANCES (UNLESS SPECIFIED)
 mm INCH
 4 PLACES ± --- ± ---
 3 PLACES ± --- ± ---
 2 PLACES ± 0.25 ± ---
 1 PLACE ± --- ± ---
 ANGULAR ± 3 °
 DRAFT WHERE APPLICABLE MUST REMAIN WITHIN DIMENSIONS

DIMENSION STYLE
 MM ONLY
 DRAWN BY: JZENG
 DATE: 2006/02/21
 CHECKED BY: DIXON
 DATE: 2006/02/21
 APPROVED BY: GRATE MA
 DATE: 2006/02/21
 MATERIAL NO. SEE TABLE

SCALE: 1:1
 DESIGN UNITS: METRIC
 THIRD ANGLE PROJECTION
 TITLE: 1.0 HDMI RIGHT ANGLE HEADER WITH DIMPLE TYPE LEAD FREE
 MOLEX INCORPORATED
 DOCUMENT NO. SD-47151-101
 SHEET NO. 4 OF 4
 THIS DRAWING CONTAINS INFORMATION THAT IS PROPRIETARY TO MOLEX INCORPORATED AND SHOULD NOT BE USED WITHOUT WRITTEN PERMISSION

9 8 7 6 5 4 3 2 1