
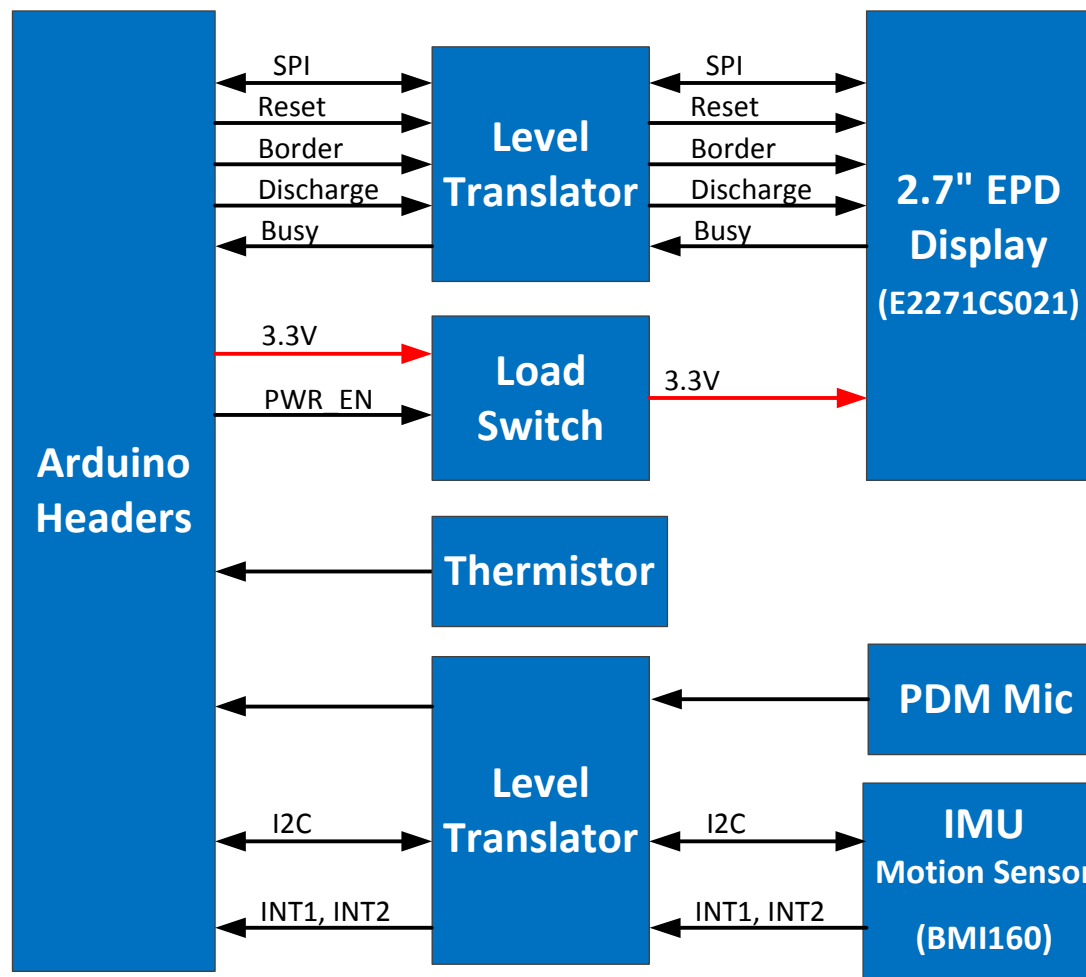


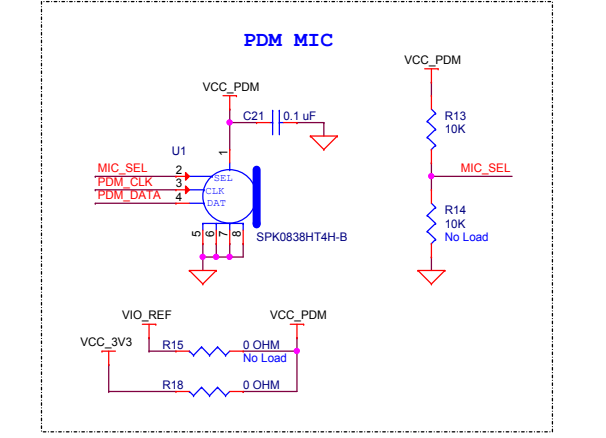
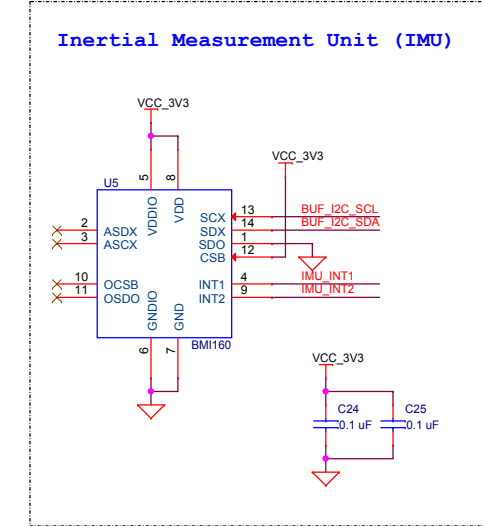
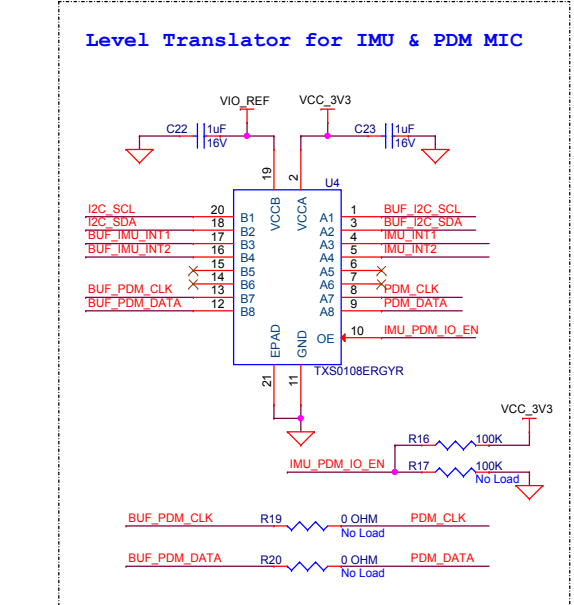
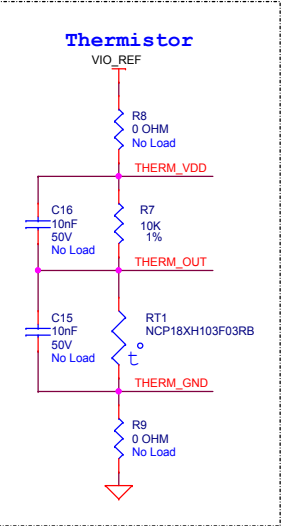
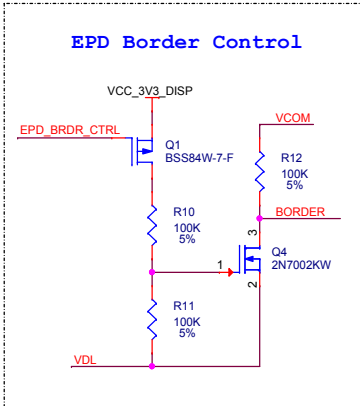
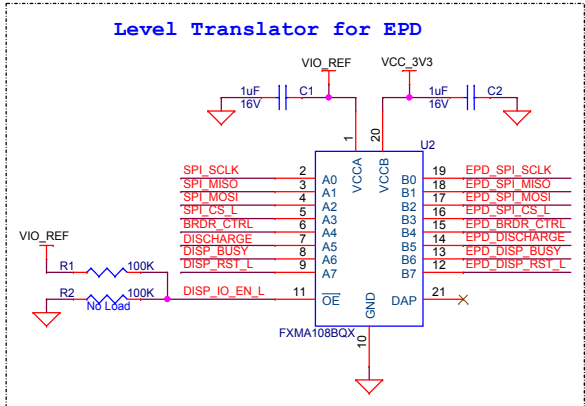
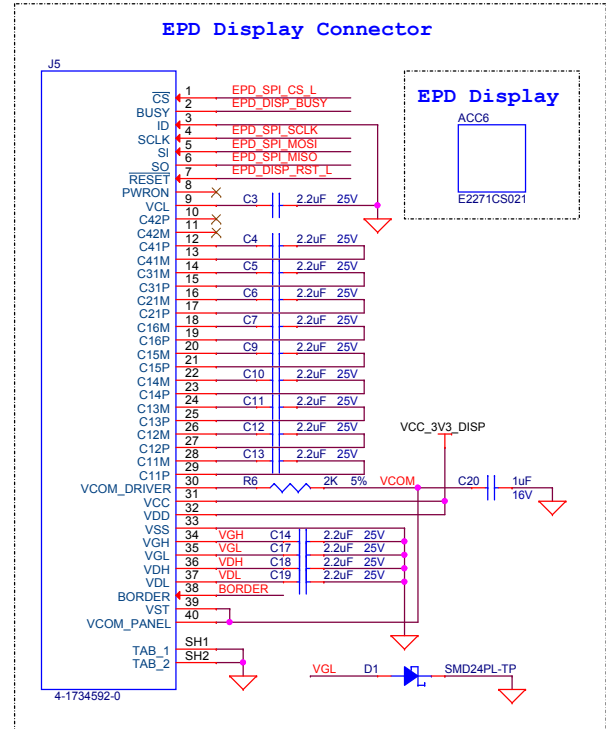
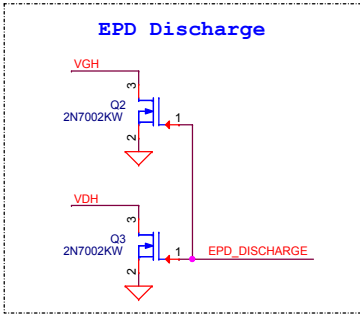
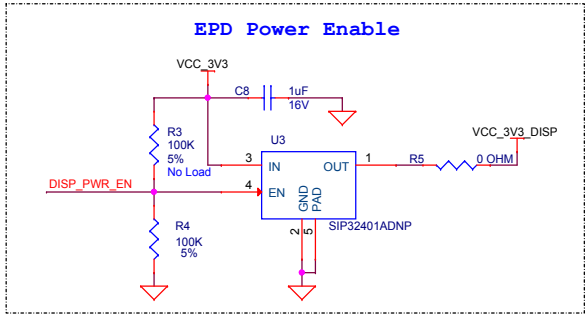
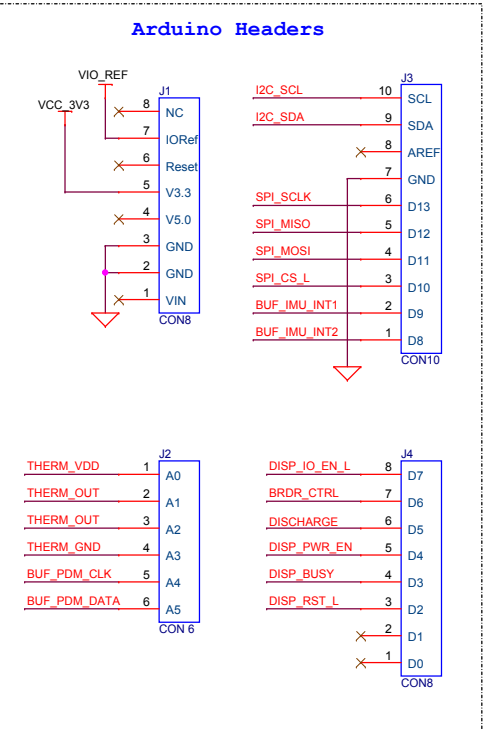
CY8CKIT-028-EPD E-INK Display Shield

| CONTENTS | |
|----------|--|
| PAGE | DESCRIPTION |
| 01 | Title, Table of Contents & Drawing Numbers |
| 02 | Block Diagram |
| 03 | 2.7" EPD Shield Schematics |
| 04 | Revision History |

| Drawing Numbers | |
|-----------------|--------------|
| PCBA | 121-60364-01 |
| PCB | 600-60379-01 |
| FAB DRW | 610-60336-01 |
| ASSY DRW | 620-60344-01 |
| SCH DRW | 630-60356-01 |

| | | | | |
|---|-----------------------------|---|-------------|--------|
|  | | CYPRESS SEMICONDUCTOR 198 CHAMPION COURT SAN JOSE, CA 95134 (408) 943-2600 | | |
| CYPRESS SEMICONDUCTOR © 2018 | | | | |
| SCH Title : CY8CKIT-028-EPD E-INK Display Shield | | | | |
| Page Title : Title Page | | | | |
| Size | Document Number | Drawn By | Approved By | Rev |
| A3 | 630-60356-01 | AARA | RKPM | 05 |
| Date: | Wednesday, January 17, 2018 | | Sheet | 1 of 4 |





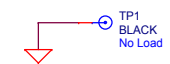
CYPRESS SEMICONDUCTOR
 198 CHAMPION COURT
 SAN JOSE, CA 95134
 (408) 943-2600

CYPRESS SEMICONDUCTOR © 2018


SCH Title : **CY8CKIT-028-EPD E-INK Display Shield**

Page Title : **2.7" EPD Shield Schematics**

| | | | | |
|-----------------------------------|-------------------------------------|----------------------|-------------------------|---------------|
| Size A3 | Document Number 630-60356-01 | Drawn By AARA | Approved By RKPM | Rev 05 |
| Date: Wednesday, January 17, 2018 | Sheet | | 3 of 4 | |



| REVISION HISTORY | | |
|-------------------------|---|-------------|
| REV | DESCRIPTION OF CHANGE | DATE |
| 01 | Initial internal release | 2016/07/11 |
| 02 | Internal release, PDM Mic added | 2016/11/04 |
| 03 | External release under NDA | 2017/03/10 |
| 04 | Motion Sensor Added | 2017/07/18 |
| 05 | Updated footprint for C1005X5R1E225M050BC to class-B (CAPC1005X55N) | 2017/09/21 |
| | | |
| | | |
| | | |
| | | |
| | | |
| | | |
| | | |
| | | |
| | | |
| | | |

| | | | | |
|---|-----------------------------|--|-------------|-----------|
|  | | CYPRESS SEMICONDUCTOR 198 CHAMPION COURT SAN JOSE, CA 95134 (408) 943-2600 | | |
| | | CYPRESS SEMICONDUCTOR © 2018 | | |
| SCH Title : CY8CKIT-028-EPD E-INK Display Shield | | | | |
| Page Title : Revision History | | | | |
| Size | Document Number | Drawn By | Approved By | Rev |
| A3 | 630-60356-01 | AARA | RKPM | 05 |
| Date: | Wednesday, January 17, 2018 | | Sheet | 4 of 4 |