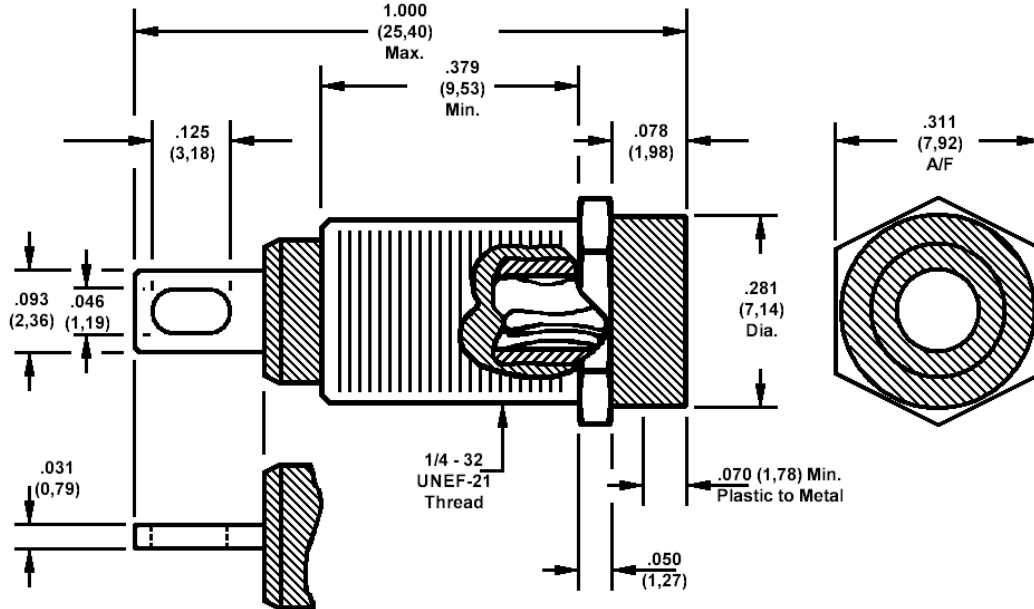


450-3358 Nylon Insulated, thread mount socket, for .080 (2,03) diameter pins.

Recommended mounting hole to suit 1/4-32 UNEF-2A thread.



Min hole depth .540 (13,72)

How to order code
450-3358-01-03-YY
Basic Part No YY = Colour

MATERIALS		
Component	Material	Finish(-03)
Body	Brass	Gold over Nickel
Spring	Beryllium copper	Gold over Nickel
Metal sleeve	Brass	Nickel
Insulator	Nylon	Select colour (see below)

COLOUR (YY)			
-10	-12	-16	-19
Black	Red	Blue	White

Select colour (others available to order, consult factory)

Unassembled Mounting Hardware		
Component	Material	Finish
Mounting nut, hexagonal	Brass	Nickel
Internal tooth lockwasher	Phosphor bronze	Nickel

ADDITIONAL INFORMATION	
Basic Part No	Dielectric withstanding voltage (VRMS)
450-3358-01-03-XX	3000