

Hand-Held Torque Wrench

3/8" Drive

Requires two Panasonic SR44W
or equivalent batteries

600-076 High Torque

Adjustable to desired torque level of
20 to 360 inch pounds

600-004 Standard Torque

0 - 150 lb./in. (Not Shown)

Bench-Mounted Torque Wrench

3/8" Drive

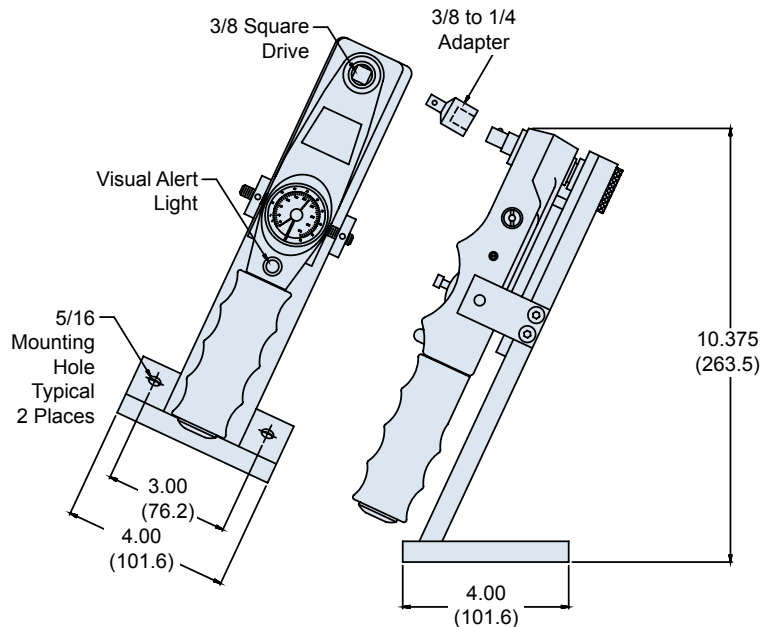
Require two Panasonic SR44W or
equivalent batteries

600-077 High Torque

Adjustable to desired torque level of
20 to 360 inch pounds

600-007 Standard Torque

0 - 150 lb./in. (Not Shown)



Metric dimensions (mm) shown in parentheses.