

MITSUBISHI (OPTICAL DEVICES)

MF-10KDS-T12-06x/07x MF-10KDS-R13-06x/07x

SONET/SDH TRANSMITTER & RECIEVER

DESCRIPTION

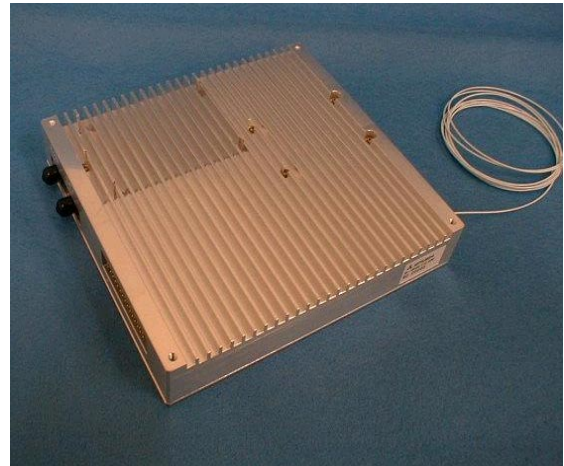
This product is designed to provide high optical performance for SDH STM-64/SONET OC-192. Transmitter uses cooled laser in a butterfly package module with driven by specific integrated circuit. Receiver uses PD preamp-module (butterfly package module) and integrated circuits for reshaping, retiming and regenerating optical signal.

FEATURES

- Full SONET/SDH line up
- K connector interface
- -5.2V,+5V power supply target, -2.2V(TX only)
- Case Temp. Range: 10 to 65°C
- Clock recovery and digital alarm function.

APPLICATION

Short haul and long haul telecommunication systems for SDH STM64 / SONET OC-192.



ABSOLUTE MAXIMUM RATINGS

Stress below listed absolute maximum rating may cause permanent damage to the transmitter and receiver.

This is a stress only and functional operation of the transceiver at these or any other conditions in excess of those given in the operational sections of this data sheet is not implied.

Exposure to Absolute Maximum Rating for extended periods may affect transmitter and receiver reliability.

Tc=25°C

Parameters	Symbol	Ratings	Unit
Supply voltage	Vcc	+5.3	V
	Vee	-6.0	V
	Vtt	-2.4	V
Storage temperature	Tstg	-40 to 85	°C
Operating case temperature	Tc	10 to 65	°C
Relative humidity(non condensation)	-	10 to 80	%
Fiber bend radius	rF	32	mm

mitsubishi (optical devices)
MF-10KDS-T12-06x/07x
MF-10KDS-R13-06x/07x
SONET/SDH TRANSMITTER & RECIEVER

ELECTRICAL CHARACTERISTICS

All parameters are specified over the operating case temperature.

Measurement conditions are at 9953.28Mb/s+/-20ppm, NRZ PN²³-1 and 50%duty cycle data signal.

V_{cc}=+5.0V+/-5%, V_{ee}=-5.2V+/-5%, V_{tt}=-2.2V+/-0.1V, T_c=10 to 65 °C, Using a PRBS 2²³-1 pattern with a 50%Mark ratio, unless otherwise noted.

Transmitter

Parameters	Condition	Symbol	Min.	Typ.	Max.	Unit
Supply voltage		V _{ee}	-5.46	-5.2	-4.94	V
		V _{cc}	4.75	5.0	5.25	V
		V _{tt}	-2.3	-2.2	-2.1	V
Supply current		I _{ee}	-	-	1.5	A
		I _{cc}	-	-	1.0	A
		I _{tt}	-	-	1.2	A
Data / Clock input voltage (DC:50ohm)	note 1	-	SCFL			-
Data / Clock relationship	note 5	T _d	-20	-	+20	psec
Function	note 2,3	-	Shutdown, Laser Degradation, Power out of range Alarm, Laser Over Temperature Alarm			-

Receiver

Parameters	Condition	Symbol	Min.	Typ.	Max.	Unit
Supply voltage		V _{ee}	-5.46	-5.2	-4.94	V
		V _{cc}	4.75	5.0	5.25	V
Supply current		I _{ee}	-	-	1.5	A
		I _{cc}	-	-	1.5	A
Data output voltage (DC:50ohm)	note 4	-	SCFL			-
Clock output voltage (AC:50ohm)	note 4		0.5	-	1.5	V _{pp}
Data / Clock relationship	note 5	T _d	-25	-	+25	psec
Jitter		-	TBD			-
Function	note 6	-	Loss of Signal Alarm			-

MITSUBISHI (OPTICAL DEVICES)
MF-10KDS-T12-06x/07x
MF-10KDS-R13-06x/07x
SONET/SDH TRANSMITTER & RECIEVER

OPTICAL CHARACTERISTICS

Parameter	Symbol	Specification				Unit
		S-64.2		S-64.3		
ITU code	-	S-64.2		S-64.3		-
-	-	Min.	Max.	Min.	Max.	-
Dispersion	-	-800	+800	-130	+130	ps/nm
Optical path penalty	Pp	-	2	-	1	dB
Transmitter						
Wavelength	-	1530	1565	1530	1565	-
Optical output power	Pout	-3	+3	-2	+3	dBm
Spectral width(-20dB)	-	-	0.5	-	0.5	nm
SMSR	-	30	-	30	-	dB
Extinction Ratio	Ex	8.2	-	8.2	-	dB
Receiver						
Sensitivity	-	-	-14	-	-13	dBm
Overload	-	-3	-	-3	-	dBm

note : Bit Rate 9953.28Mb/s, PRBS²³-1, BER ≤ 10⁻¹²

ORDERING INFORMATION

Transmitter

Part number	ITU-code	Optical connector type
MF-10KDS-T12-060	S-64.2	FC
MF-10KDS-T12-061	S-64.2	SC
MF-10KDS-T12-070	S-64.3	FC
MF-10KDS-T12-071	S-64.3	SC

Receiver

Part number	ITU-code	Optical connector type
MF-10KDS-R13-060	S-64.2	FC
MF-10KDS-R13-061	S-64.2	SC
MF-10KDS-R13-070	S-64.3	FC
MF-10KDS-R13-071	S-64.3	SC

MITSUBISHI (OPTICAL DEVICES)
MF-10KDS-T12-06x/07x
MF-10KDS-R13-06x/07x
SONET/SDH TRANSMITTER & RECIEVER

TRANSMITTER PIN ALLOCATION

No.	Symbol	Description	No.	Symbol	Description
1	-2.2V	Supply voltage for cooler	2	-2.2V	Supply voltage for cooler
3	GND	Ground	4	NUC	No user connection
5	LDMON	Laser Bias Monitor	6	PDMON	Laser Backface Monitor
7	DEG	Laser Degradation Alarm	8	ORA	Power Out of Range Alarm
9	LOT	Laser Over Temperature Alarm	10	SDC	Shut Down Command
11	GND	Ground	12	GND	Ground
13	GND	Ground	14	GND	Ground
15	+5V	Supply voltage	16	+5V	Supply voltage
17	+5V	Supply voltage	18	+5V	Supply voltage
19	GND	Ground	20	GND	Ground
21	GND	Ground	22	GND	Ground
23	-5.2V	Supply voltage	24	-5.2V	Supply voltage
25	-5.2V	Supply voltage	26	-5.2V	Supply voltage
27	GND	Ground	28	GND	Ground
29	GND	Ground	30	GND	Ground

RECEIVER PIN ALLOCATION

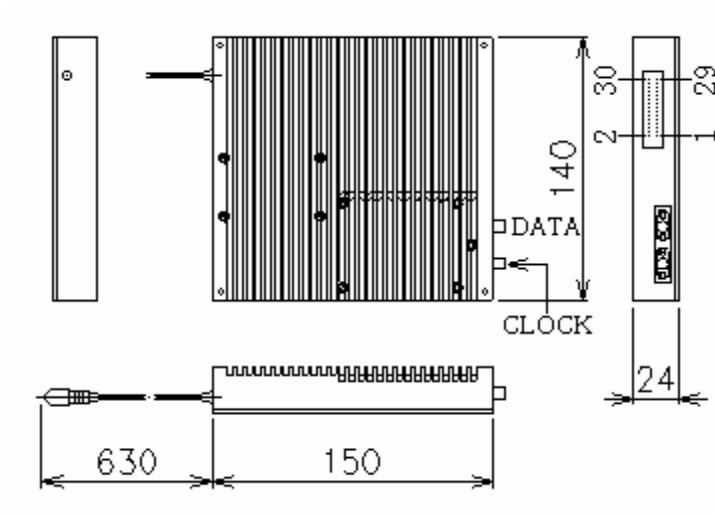
No.	Symbol	Description	No.	Symbol	Description
1	GND	Ground	2	GND	Ground
3	GND	Ground	4	LOS	Loss of signal alarm
5	NUC	No user connection	6	NUC	No user connection
7	NUC	No user connection	8	NUC	No user connection
9	NUC	No user connection	10	NUC	No user connection
11	GND	Ground	12	GND	Ground
13	GND	Ground	14	GND	Ground
15	+5V	Supply voltage	16	+5V	Supply voltage
17	+5V	Supply voltage	18	+5V	Supply voltage
19	GND	Ground	20	GND	Ground
21	GND	Ground	22	GND	Ground
23	-5.2V	Supply voltage	24	-5.2V	Supply voltage
25	-5.2V	Supply voltage	26	-5.2V	Supply voltage
27	GND	Ground	28	GND	Ground
29	GND	Ground	30	GND	Ground

MITSUBISHI (OPTICAL DEVICES)
MF-10KDS-T12-06x/07x
MF-10KDS-R13-06x/07x
SONET/SDH TRANSMITTER & RECIEVER

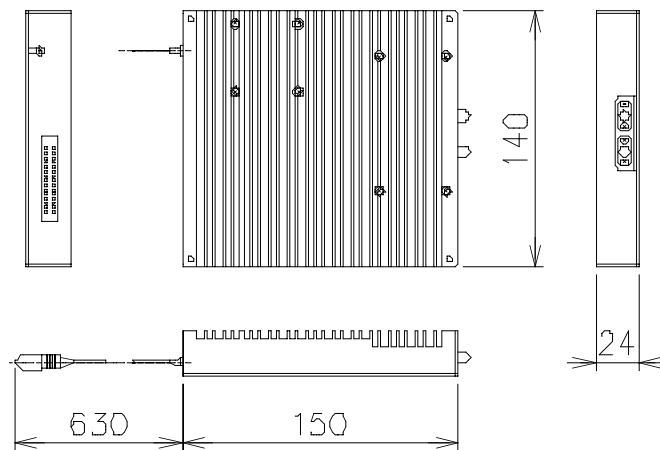
GENERAL OUTLINE DRAWING

NOTE: TOLERANCES UNLESS NOTED +/-0.5
 DIMENSIONS ARE IN MILLIMETERS

Transmitter

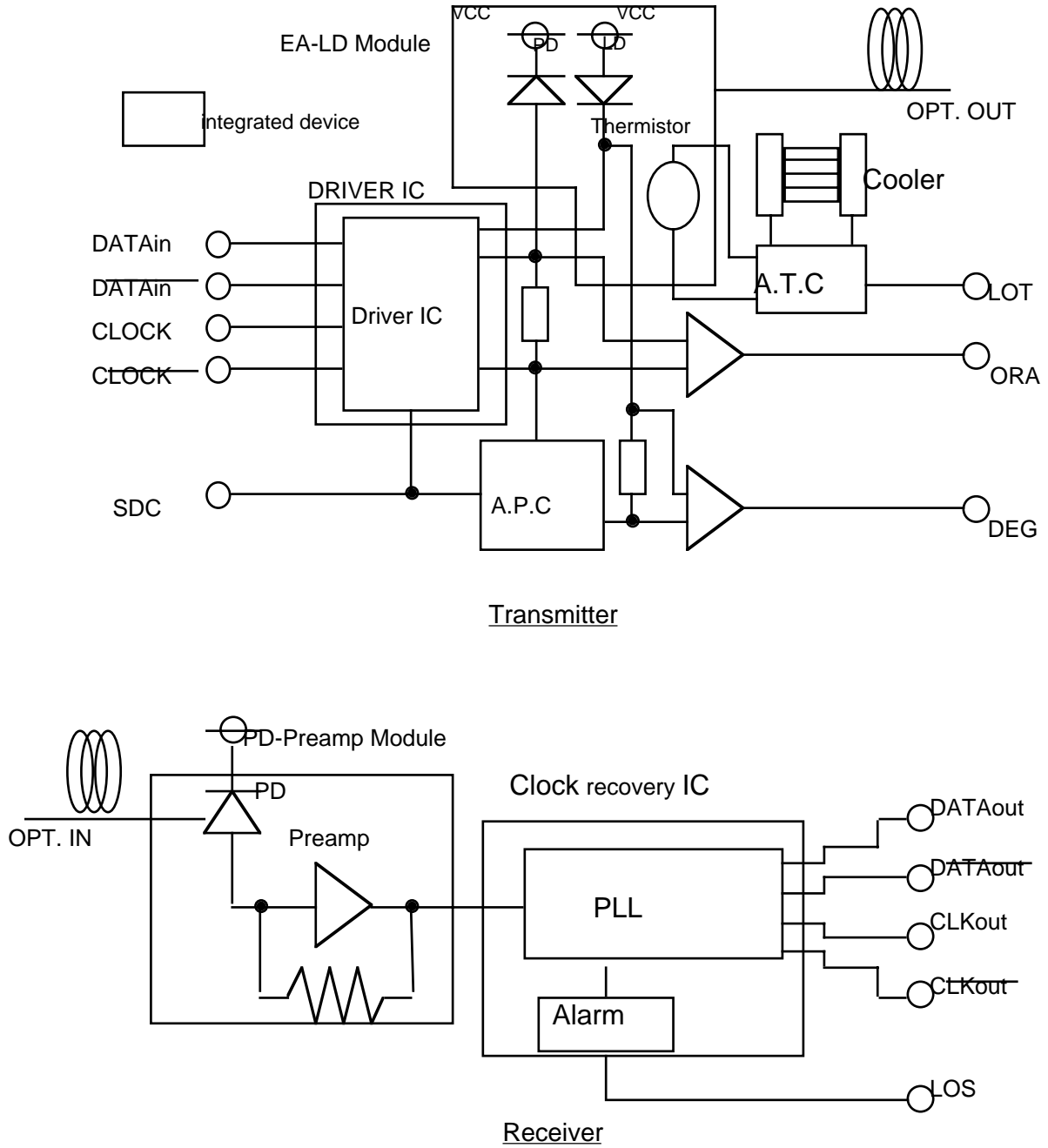


Receiver



MITSUBISHI (OPTICAL DEVICES)
MF-10KDS-T12-06x/07x
MF-10KDS-R13-06x/07x
SONET/SDH TRANSMITTER & RECIEVER

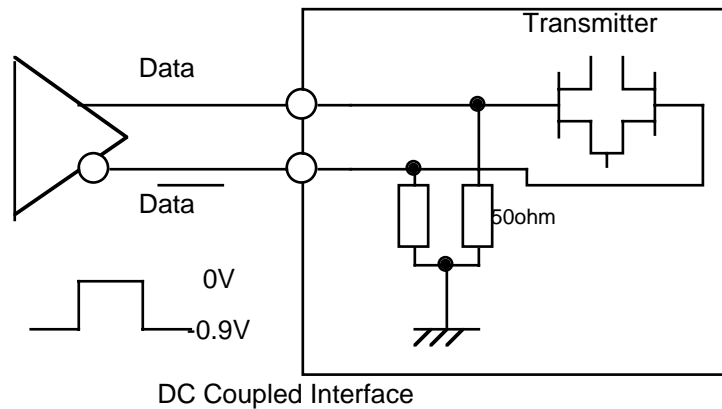
BLOCK DIAGRAM



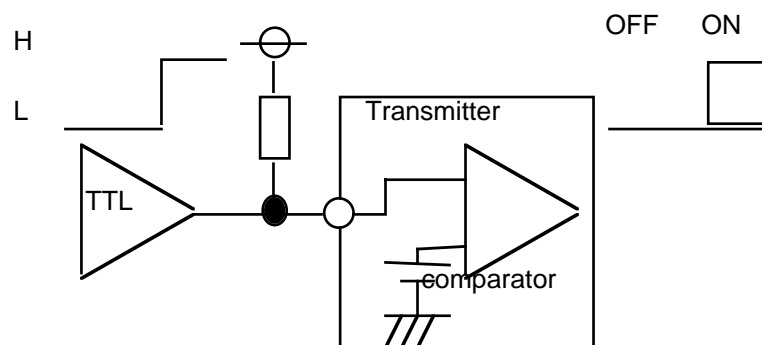
MITSUBISHI (OPTICAL DEVICES)
MF-10KDS-T12-06x/07x
MF-10KDS-R13-06x/07x
SONET/SDH TRANSMITTER & RECIEVER

NOTE

NOTE1: Input interface



NOTE2: Shut down interface



NOTE3: Laser Degradation Alarm / Power out of range Alarm / LD temperature out of range Alarm

Laser Degradation Alarm (DEG) sets when the bias current is at least 70% higher than the maximum initial value allowed .

Alarm active: TTL LOW

Power out of range Alarm (ORA), sets when the output optical output power is 3dB(typ.) less than the initial optical output level.

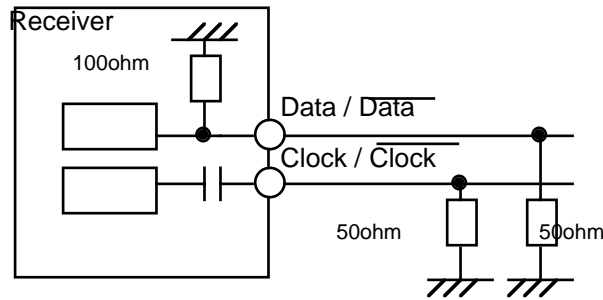
Alarm active: TTL LOW

Laser Over Temperature Alarm (LOT), sets when the temperature of LD increase or decrease more than 15deg.C from the initial temperature.

Alarm active: TTL LOW

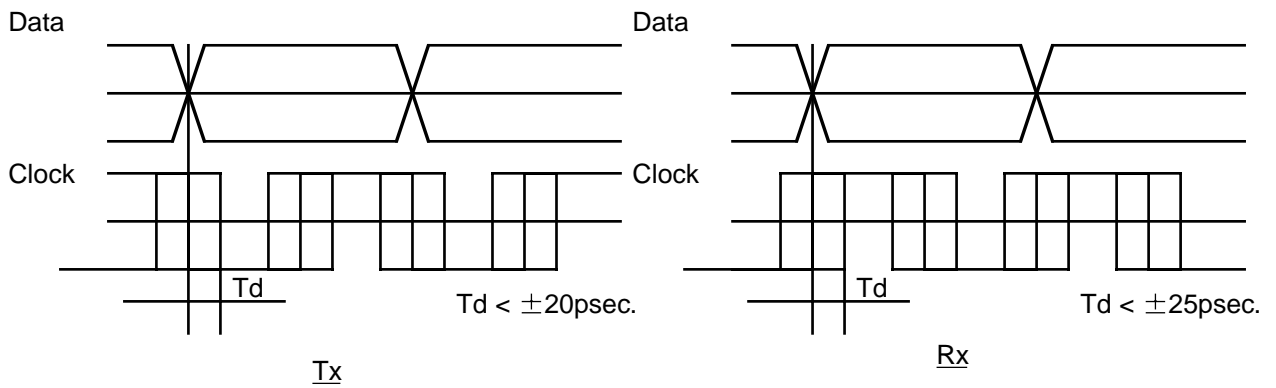
MITSUBISHI (OPTICAL DEVICES)
MF-10KDS-T12-06x/07x
MF-10KDS-R13-06x/07x
SONET/SDH TRANSMITTER & RECIEVER

NOTE4: LVPECL Output interface



note:DC Couple for Data
 AC Couple for Clock

NOTE5: Data and Clock relationship



NOTE6: LOS of signal interface

