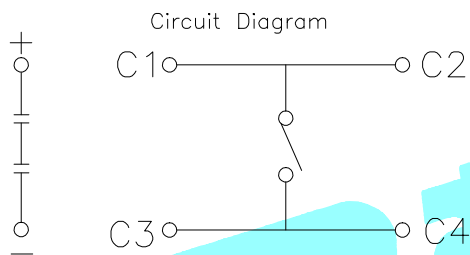
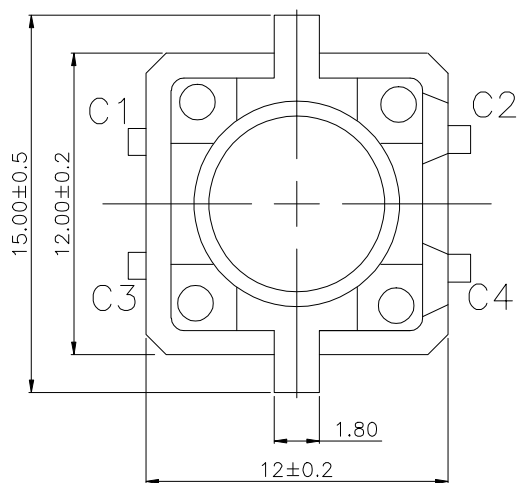
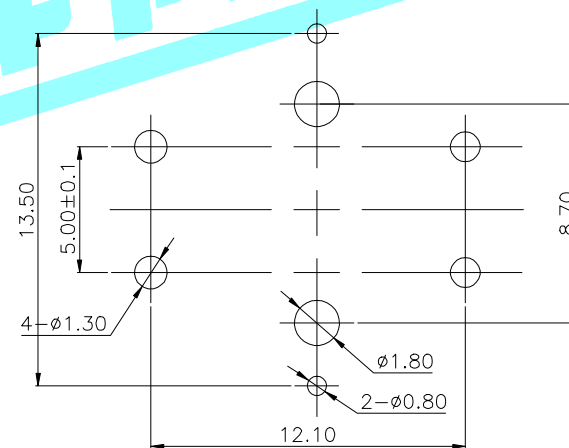
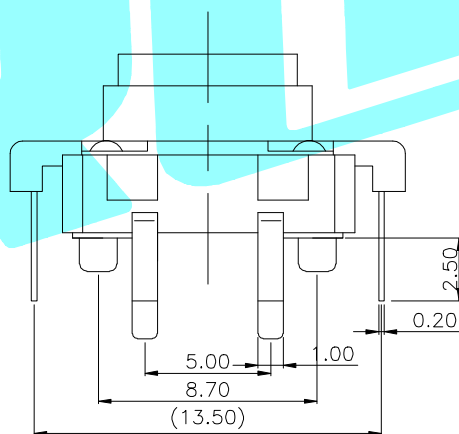
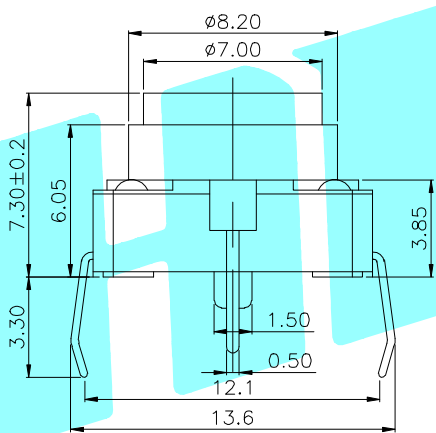


**ROHS**



LEDcolour(LED颜色)	Part No.(料号)
White(白色)	K6-1212A01
Red(红色)	K6-1212A02
Blue(蓝色)	K6-1212A03
Green(绿色)	K6-1212A04
Yellow(黄色)	K6-1212A05
Orange(橙色)	K6-1212A06



Typical Specifications

- 1.Rating : DC 12V 50mA
- 2.Operating Force : 250 ± 50 gf
- 3.Contact Resistance : 100mΩMAX
- 4.Life : 200,000 Cycles Min
- 5.LED Life: 100,000 Hour Min

PCBLAYOUT(pattern Side)

ITEM	PART NAME	TER'NO.	QTY.	MATERIAL	FINISHING	REMARK
②	Terminal	—	—	Phosphor bronze	Ag Plating	—
①	Housing	—	—	Nylon	Black	—
APPROVALS		DATE		 ELECTRONICS CO.,LTD		
DRAWN	QIFEEG.XU	2013/11/11				
CHECKED				TITLE:		LED Tact Switch
APPROVALS				PART NO.		K6-1212A
TOLERANCES ARE		30~∅上 10~30 ±0.30 ±0.20	±0.15	ANGLE	UNIT: mm	SCALE: 1:1
		5~10 ~ 5	±0.10	±2'	DRAWING NO.	PROJ:  SHEET 1 OF 1

ECN NO.	REV.	DATE.	DESCRIPTION.	CHANGE.	CHECK.	APPRO.
	A		NEW			