

# CG Series Single Pole Power Rocker Switches

## Features/Benefits

- Bevelled frame
- Illuminated versions available
- Easy panel mount installation

## Typical Applications

- Computers and peripherals
- Small appliances
- Instrument panels
- Industrial controls
- RoHS compliant



**UL** **UL 61058-1**

## Specifications

### CONTACT RATING:

16 AMPS @ 125 VAC, 10 AMPS @ 250 VAC.

10 AMPS @ 250 VAC, 6 AMPS @ 250 VAC.

ELECTRICAL LIFE: 10,000 make and break cycles at full load.

INSULATION RESISTANCE:  $10^8 \Omega$  min.

DIELECTRIC STRENGTH: 1,500 VRMS @ sea level.

OPERATING TEMPERATURE: -20°C to +85°C

## Materials

HOUSING AND ACTUATOR: 6/6 nylon (UL94V-2), black, matte finish.

ILLUMINATED ACTUATOR: Polycarbonate, matte finish.

CENTER CONTACTS: Silver plated, copper alloy.

END CONTACTS: Silver plated.

ALL TERMINALS: Silver plated, copper alloy.

**NOTE:** Specifications and materials listed above are for switches with standard options. For information on specific and custom switches, consult Customer Service Center.

## Build-A-Switch

To order, simply select desired option from each category and place in the appropriate box. Available options are shown and described on pages G-87 through G-89. For additional options not shown in catalog, consult Customer Service Center.

<b>Switch Function</b>	_____								
<b>CG101</b>	SPDT On-None-On								
<b>CG102</b>	SPST On-None-Off								
<b>CG103</b>	SPDT On-Off-On								
<b>CG105</b>	SPDT Mom-Off-Mom								
<b>CG12 *</b>	SPST On-None-Off								
<b>Actuator</b>	_____								
<b>J1</b>	Rocker								
<b>J2 **</b>	Two-tone rocker								
<b>J3</b>	Illuminated rocker								
<b>Actuator Color</b>	_____								
<b>2</b>	Black								
<b>1</b>	White								
<b>3</b>	Red								
<b>R</b>	Red, illuminated								
<b>A</b>	Amber, illuminated								
<b>G</b>	Green, illuminated								
<b>Mounting Style/Color</b>	_____								
<b>S2</b>	Snap-in, black								
<b>S1</b>	Snap-in, white								
<b>Termination</b>	_____								
<b>05</b>	.250" quick connect								
<b>Actuator Marking</b>	_____								
<b>(NONE)</b>	No marking								
<b>D</b>	ON-OFF								
<b>H</b>	"O I" - international ON-OFF								
<b>P</b>	"O -" international ON-OFF								
<b>Contact Rating</b>	_____								
<b>QF</b>	Silver								
<b>Lamp Rating</b>	_____								
<b>(NONE)</b>	No lamp								
<b>7</b>	125 VAC neon								
<b>8</b>	250 VAC neon								

\* CG12 — for switches with both marking and illumination

\*\* J2 — refer to table on next page for actuator options

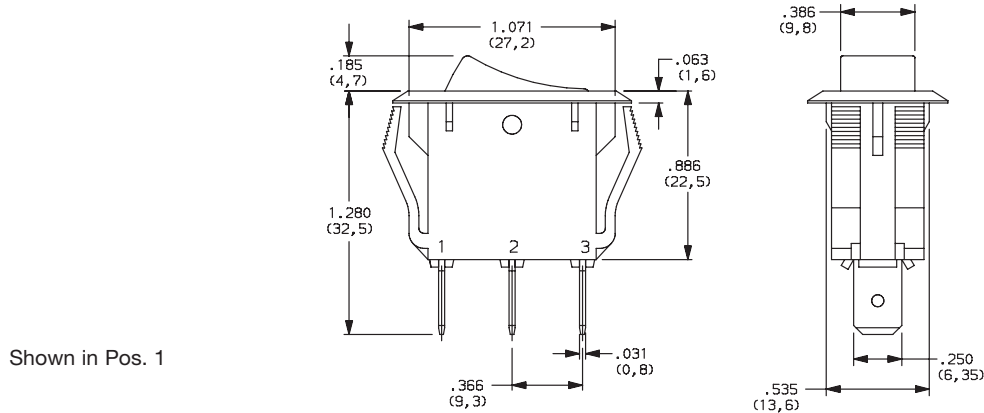
# CG Series Single Pole Power Rocker Switches

## SWITCH FUNCTION

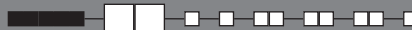


NO. POLES	MODEL NO.	SWITCH FUNCTION			CONNECTED TERMINALS			SCHEMATIC
		Pos. 1	Pos. 2	Pos. 3	Pos. 1	Pos. 2	Pos. 3	
		C&K marking on opposite side			C&K marking on opposite side			
SP	<b>CG101</b>	ON	NONE	ON	1-2		2-3	
	<b>CG102</b>	ON	NONE	OFF	1-2	N/A	OPEN	
	<b>CG103</b>	ON	OFF	ON	1-2	OPEN	2-3	
	<b>CG105</b>	MOM	OFF	MOM	1-2	OPEN	2-3	
	<b>CG12 *</b>	ON	NONE	OFF	1-2	N/A	OPEN	

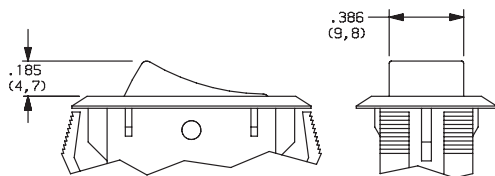
\* CG12 - for switches with both marking and illumination



## ACTUATOR

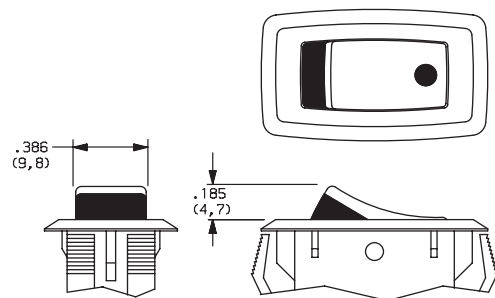


- J1** ROCKER
- J3** ILLUMINATED ROCKER

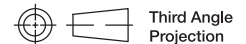


NOTE: J3 actuator available with CG102 switch function only.

- J2** TWO-TONE ROCKER



NOTE: Available with CG102 switch function only.



Dimensions are shown: Inches (mm)  
Specifications and dimensions subject to change



# CG Series Single Pole Power Rocker Switches

## ACTUATOR COLOR



ACTUATOR	OPTION CODE	ACTUATOR COLOR
<b>J1</b>	<b>2</b>	BLACK
	<b>1</b>	WHITE
	<b>3</b>	RED
<b>J3</b>	<b>R</b>	RED, ILLUMINATED
	<b>A</b>	AMBER, ILLUMINATED
	<b>G</b>	GREEN, ILLUMINATED

OPTION CODE	ACTUATOR COLOR	
	TOP	BOTTOM
<b>1</b>	WHITE	RED
<b>2</b>	WHITE	BLACK
<b>3</b>	RED	WHITE
<b>4</b>	BLACK	WHITE
<b>5</b>	BLACK	RED

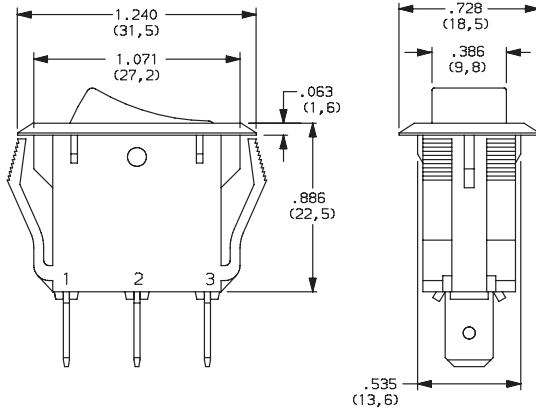
J2 actuator only

## MOUNTING STYLE/COLOR



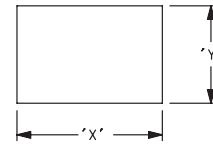
**S2** SNAP-IN, BLACK

**S1** SNAP-IN, WHITE



Shown in Pos. 1

### PANEL MOUNTING

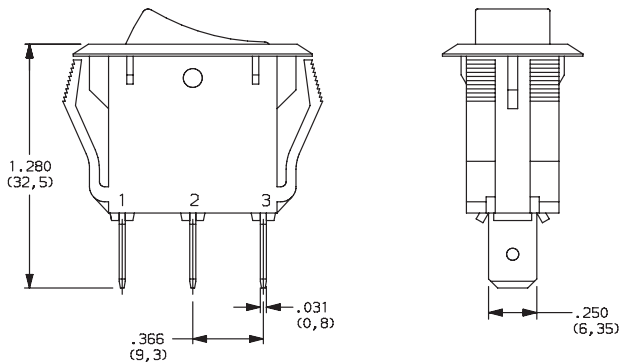


PANEL THICKNESS	"X"	"Y"
0.030-0.049 (0,75-1,25)	1.087-.004 (27,6-0,1)	0.543+.004 (13,8+0,1)
0.049-0.079 (1,25-2,0)	1.094-.004 (27,8-0,1)	0.543+.004 (13,8+0,1)
0.079-0.118 (2,0-3,0)	1.102-.004 (28,0-0,1)	0.543+.004 (13,8+0,1)

## TERMINATION



**05** .250" QUICK CONNECT



Shown in Pos. 1



# CG Series Single Pole Power Rocker Switches

## ACTUATOR MARKING



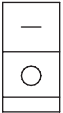
**NONE** NO MARKING



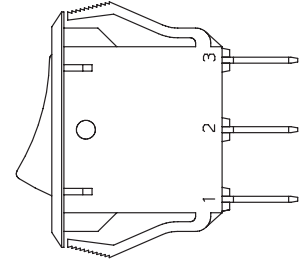
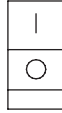
**D** ON-OFF



**H** 01



**P** 0-



**NOTE:** Orientation of actuator marking and terminals.

Shown in Pos. 1

## CONTACT MATERIAL



OPTION CODE	CONTACT AND TERMINAL MATERIAL	RATINGS	
<b>QF</b>	SILVER	POWER	16 AMPS @ 125 VAC; 10 AMPS @ 250 VAC 10 AMPS @ 250 VAC

\* Note: See Technical Data section of this catalog for RoHS compliant and compatible definitions and specifications.



## LAMP RATING



**(NONE)** NO LAMP

**7** 125 VAC 33kΩ NEON

**8** 250 VAC 150kΩ NEON

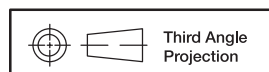
**NOTE:** Lamp rating for J3 actuator option.

Rocker



G

**C&K**



Dimensions are shown: Inches (mm)  
Specifications and dimensions subject to change