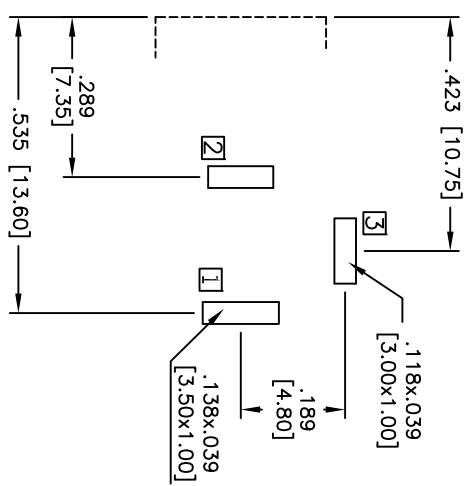
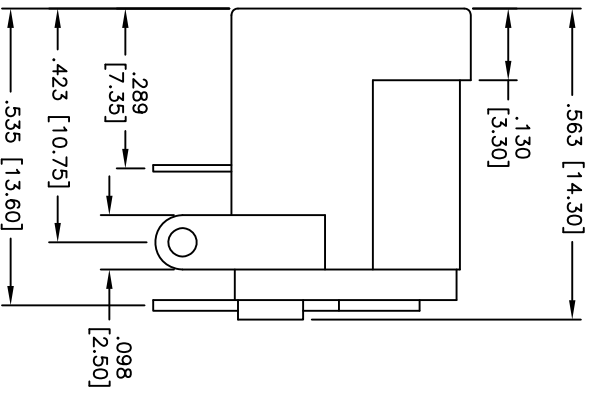
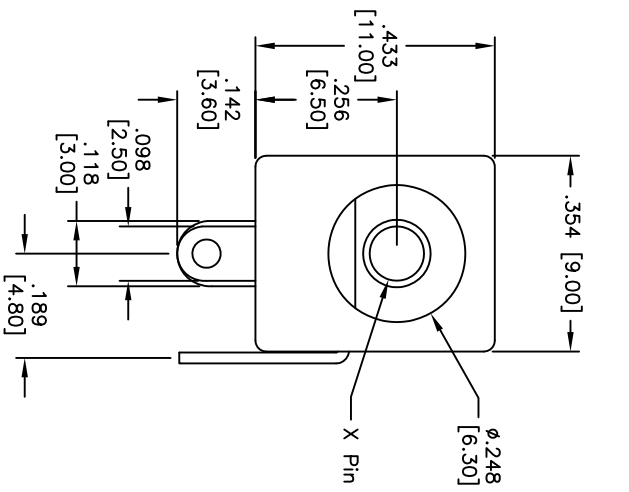


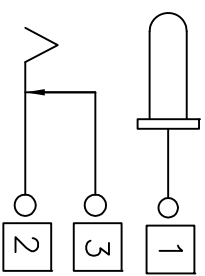
Rev	AWO #	Description	Date	Appr
-		RELEASED	12/02/08	

APPROVED: _____
 DATE: _____ TITLE: _____



Recommended PCB Layout
 (Copper-sided view)

PART NO.	X
ADC-002-1-RT1R	Ø.079 [2.00]
ADC-002-2-RT1R	Ø.098 [2.50]
ADC-002-5-RT1R	Ø.093 [2.35]



SPECIFICATIONS:

Material: Insulator: PBT, Glass reinforced, rated UL 94V-0

Insulator color: Black

Center Pin: Brass, Nickel plated

Contacts: Copper Alloy

Plating: Silver over Nickel underplate

Electrical: Operating voltage: 20 VDC max.

Current rating: 2.5 Amp max.

Contact resistance: 30 mohms max. initial

Insulation resistance: 100 Mohms min.

Dielectric withstanding voltage: 500 VAC for 1 minute

Temperature Rating: Operating temperature: -25°C to +70°C

Environmental: Lead free, RoHS compliant

Recommended soldering temp: 235°C for 5 sec.



UNLESS OTHERWISE SPECIFIED
 ALL DIMENSIONS ARE INCHES [MM]
 TOLERANCES: EXCEPT AS NOTED
 INCHES Holes ±.10
 .XX ±.020 ØXX ±.015
 .XXX ±.015 ØXXX ±.010
 APPROVALS

ADAM TECH
 909 Rahway Avenue, Union, NJ 07083
 Phone: 908-687-5000 Fax: 908-687-5710

APPROVALS	DATE
DRAWN	12/02/08
CHECKED	
APPROVED	

SIZE	PART NO.	REV.
X	ADC-002-X-RT1R	-

REF: S00002C SCALE: NTS SHEET 1 OF 1