

PLEASE CHECK WWW.MOLEX.COM FOR LATEST PART INFORMATION

Part Number: [0002081004](#)
Status: **Active**
Overview: [mlx](#)
Description: MLX Crimp Terminal 42024, 14-20 AWG, Bag Tin (Sn)

Documents:

[Drawing \(PDF\)](#) [RoHS Certificate of Compliance \(PDF\)](#)
[Product Specification PS-42022-0001 \(PDF\)](#)

General

Product Family	Crimp Terminals
Series	42024
Crimp Quality Equipment	Yes
Overview	mlx
Product Name	MLX™

Physical

Gender	Female
Material - Metal	Phosphor Bronze
Material - Plating Mating	Tin
Material - Plating Termination	Tin
Packaging Type	Bag
Plating min: Mating (µin)	20
Plating min: Mating (µm)	0.50
Plating min: Termination (µin)	20
Plating min: Termination (µm)	0.50
Termination Interface: Style	Crimp or Compression
Wire Insulation Diameter	1.52-3.30mm (.060-.130")
Wire Size AWG	14, 16, 18, 20
Wire Size mm²	N/A

Material Info

Old Part Number	420241B1L
-----------------	-----------

Reference - Drawing Numbers

Product Specification	PS-42022-0001
Sales Drawing	SD-42024-****

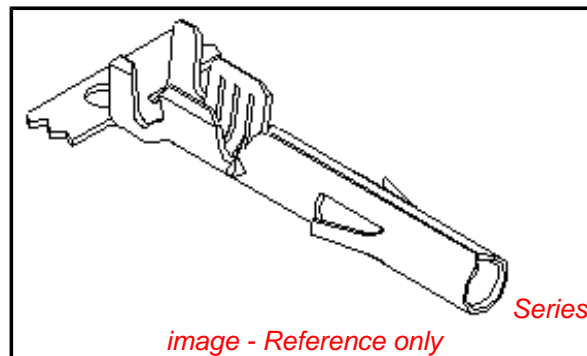


image - Reference only

EU RoHS

**ELV and RoHS
Compliant**
**REACH SVHC
Contains SVHC: No**
**Halogen-Free
Status**
Halogen-Free

China RoHS



**Need more information on product
environmental compliance?**

Email productcompliance@molex.com
 For a multiple part number RoHS Certificate of Compliance, [click here](#)

Please visit the [Contact Us](#) section for any non-product compliance questions.

Search Parts in this Series

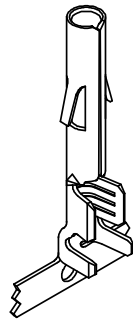
[42024Series](#)

Application Tooling | [FAQ](#)

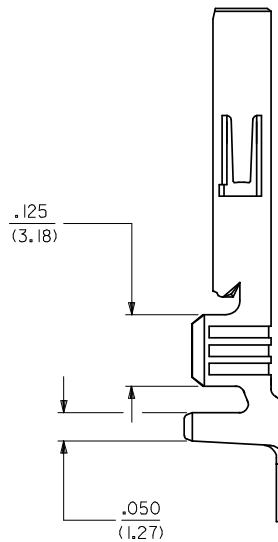
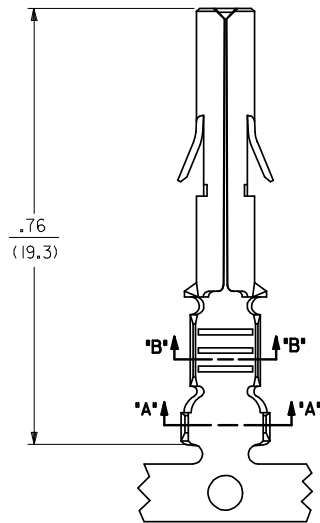
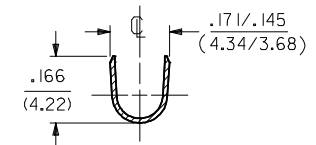
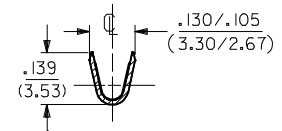
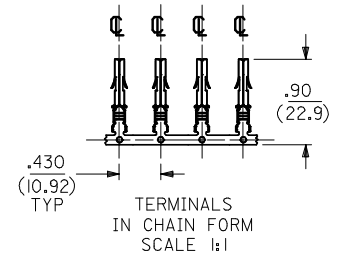
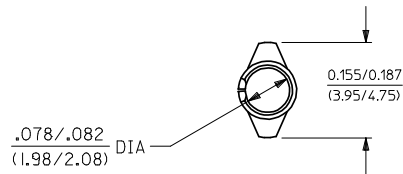
Tooling specifications and manuals are found by selecting the products below. Crimp Height Specifications are then contained in the Application Tooling Specification document.

Global

Description	Product #
HAND CRIMP TOOL	0638116800
Extraction Tool	0011010168



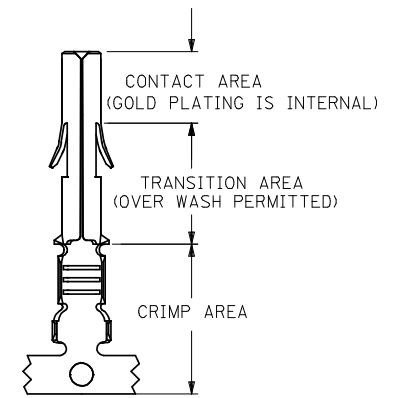
SOCKET TERMINAL
42024-***



SEE SHEET 2 FOR CHART, MATERIAL, PLATING, NOTES, AND CRIMP OPTIONS

ENTER DESCRIPTION EC NO: 12008-0359 DRAWN BY: 2008/03/03 CHKD: VINU 2008/03/03 APPR: KPRASAD 2008/03/03	QUALITY SYMBOLS ANGULAR ±1/2°	GENERAL TOLERANCES (UNLESS SPECIFIED)		DIMENSION STYLE IN/MM	SCALE 4:1	DESIGN UNITS INCH	THIRD ANGLE PROJECTION	
		mm	INCH	DRAWN BY: SUDHIR DATE: 2004/09/27	TITLE RMINAL, SOCKET 84/(2.13) DIA. SERIES			
		4 PLACES ±---	±---	CHECKED BY: KPRASAD DATE: 2004/09/27	MATERIAL NO. SEE CHART			
		3 PLACES ±---	±.010	APPROVED BY: KPRASAD DATE: 2004/09/27	DOCUMENT NO. SD-42024-****			
DRAFT WHERE APPLICABLE MUST REMAIN WITHIN DIMENSIONS		2 PLACES ±0.25 ±.015	1 PLACE ±0.38 ±---	SHEET NO. 1 OF 2				
THIS DRAWING CONTAINS INFORMATION THAT IS PROPRIETARY TO MOLEX INCORPORATED AND SHOULD NOT BE USED WITHOUT WRITTEN PERMISSION								

ENG. NO.	EDP NO.	FINISH (REF)	CONTACT AREA (REF)	CRIMP AREA (REF)	MATERIAL (REF)	WIRE SIZE	INSULATION DIA.
42024-IA1	002-08-1001	SDES-88-P901	----	----	C26000	#14-#20 AWG	.060-.130
42024-IA1L	002-08-1002	SDES-88-P901	----	----	C26000	#14-#20 AWG	.060-.130
42024-IB1	002-08-1003	SDES-88-P901	----	----	C51000	#14-#20 AWG	.060-.130
42024-IB1L	002-08-1004	SDES-88-P901	----	----	C51000	#14-#20 AWG	.060-.130
42024-IA2	002-08-1005	SEE NOTE 5	.000030 MIN GOLD	.000100 MIN MATTE TIN	C26000	#14-#20 AWG	.060-.130
42024-IA2L	002-08-1006	SEE NOTE 5	.000030 MIN GOLD	.000100 MIN MATTE TIN	C26000	#14-#20 AWG	.060-.130
42024-IB2	002-08-1007	SEE NOTE 5	.000030 MIN GOLD	.000100 MIN MATTE TIN	C51000	#14-#20 AWG	.060-.130
42024-IB2L	002-08-1008	SEE NOTE 5	.000030 MIN GOLD	.000100 MIN MATTE TIN	C51000	#14-#20 AWG	.060-.130



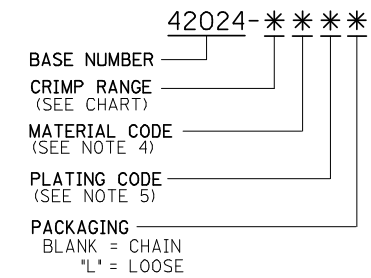
PLATING REGIONS

APPLIES TO GOLD PLATED TERMINALS ONLY

NOTES:

- SOCKET TERMINALS FOR USE WITH THE .084/(2.13) SERIES HOUSINGS:
 PLUG (42021-**)
 CAP (42022-**)
- SOCKET TERMINALS MATE WITH PIN TERMINALS: .084/(2.13) DIA. SERIES (42023-****).
- TERMINALS FINISHED IN CHAIN UNLESS SPECIFIED LOOSE. 'L' SUFFIX INDICATES LOOSE FORM. (SEE TABLE)
- MATERIAL: .012/(0.30) THICK STRIP:
 A = BRASS, *C26000, PER SMES-124-C7.
 B = PHOSPHOR BRONZE, *C51000, PER SMES-124-E7.
- FINISH:
 1 = HOT TIN DIP 20 m.l/(0.51 MICRONS) MINIMUM (PER SDES-88-P901).
 2 = 30 (M.I) / 0.75 MICRONS) MIN SELECT GOLD AND 100 (M.I) (2.50 MICRON) MIN SELECT TIN (MATTE) OVER 50 (M.I) (1.25 MICRONS) MIN NICKEL OVERALL
- CRIMP RANGE: SEE CHART.
- PRODUCT SPECIFICATION PS-42022-0001 APPLIES.

LEGEND:



ENTER DESCRIPTION EC NO: 12008-0359 DRAWN BY: DRW:AB CHKD: VINI APPR: KPRASAD 2008/03/03 2008/03/03 2008/03/03	QUALITY SYMBOLS ▽=0 ▽=0	GENERAL TOLERANCES (UNLESS SPECIFIED)		DIMENSION STYLE IN/MM		SCALE ---	DESIGN UNITS INCH	THIRD ANGLE PROJECTION				
		4 PLACES ±--- ±---	3 PLACES ±--- ±---	2 PLACES ±--- ±---	1 PLACE ±--- ±---	ANGULAR ±---°	DRAWN BY: SUDHIR DATE: 2004/09/27	CHECKED BY: KPRASAD DATE: 2004/09/27	TITLE: RMINAL, SOCKET 84/(2.13) DIA. SERIES			
		DRAFT WHERE APPLICABLE MUST REMAIN WITHIN DIMENSIONS					APPROVED BY: KPRASAD DATE: 2004/09/27	MATERIAL NO. SEE CHART			DOCUMENT NO. SD-42024-****	SHEET NO. 2 OF 2
		THIS DRAWING CONTAINS INFORMATION THAT IS PROPRIETARY TO MOLEX INCORPORATED AND SHOULD NOT BE USED WITHOUT WRITTEN PERMISSION										