

6

5

4

3

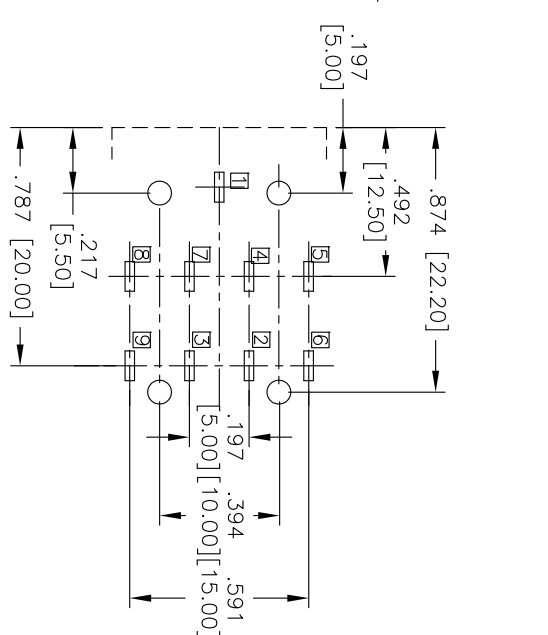
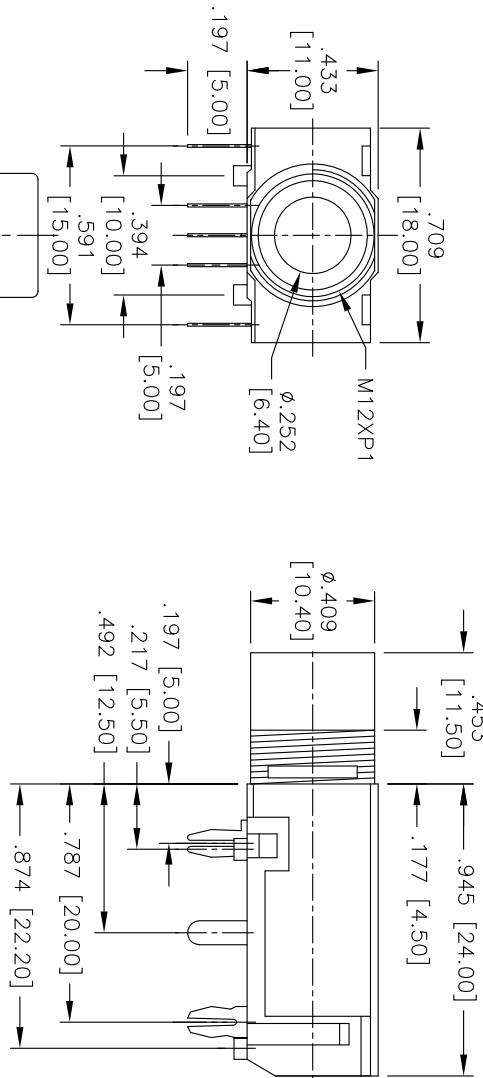
2

1

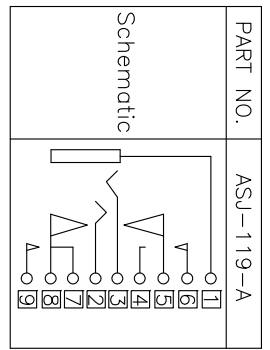
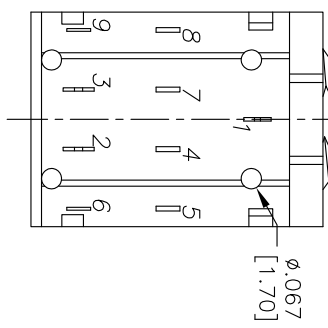
Rev	AWO #	Description	Date	Appr
-		RELEASED	12/16/09	

APPROVED: _____

DATE: _____ TITLE: _____



RECOMMENDED PCB LAYOUT (COPPER-SIDED VIEW)



SPECIFICATIONS:

Material:

Insulator: PBT, rated UL 94V-0
 Insulator color: Black
 Contacts: Copper Alloy
 Plating:
 Tin over Copper underplate

Electrical:

Operating voltage: 30 VDC max.
 Current rating: 1.0 Amp max.
 Contact resistance: 30 mohms max. initial
 Insulation resistance: 100 Mohms min.
 Dielectric withstanding voltage: 500 VAC for 1 minute
 Temperature Rating:
 Operating temperature: -65°C to +125°C

Environmental:

Lead free, RoHS compliant.
 Recommended soldering temp: 235°C for 5 sec.



UNLESS OTHERWISE SPECIFIED
 ALL DIMENSIONS ARE INCHES [MM]
 TOLERANCES: EXCEPT AS NOTED
 INCHES
 .X ± .10 ØXX ± .10
 .XX ± .020 ØXXX ± .015
 .XXX ± .015 ØXXXX ± .010

ADAM TECH
 909 Rahway Avenue, Union, NJ 07083
 Phone: 908-687-5000 Fax: 908-687-5710

DRAWN		DATE	TITLE	
DY		12/16/09	6.3 PHONE JACK	
CHECKED			SIZE	PART NO.
APPROVED			X	ASJ-119-A
			REF: S00002C	SCALE: NTS
				SHEET 1 OF 1

6

5

4

3

2

1