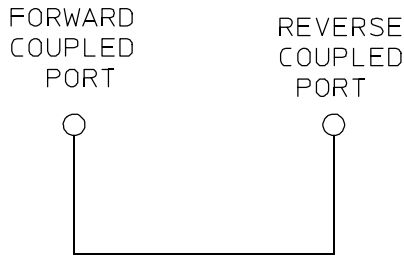


# CRG-B Series

# BI-DIRECTIONAL COUPLERS

5 to 1500 MHz / Multi-Octave / 4-Port / Minimal Size and Weight / Hi-Rel Surface Mount Package



## PRINCIPAL SPECIFICATIONS

Model for Vapor Phase & IR Insertion	Frequency Range, MHz	Performance Bandwidth, MHz	□ Coupling Value, dB, Nom.	Frequency Sensitivity, dB, Max.	Directivity, dB, Min.	*Insertion Loss, dB, Max.	VSWR, In/Out, Max.
CRG-10B-255	5 - 500	5 - 500	10 ± 1.0	± 0.5	20	1.3	1.5:1
CRG- 20B-255	5 - 500	5 - 500	20 ± 1.0	± 0.75	18	1.0	1.5:1
		10 - 400	20 ± 1.0	± 0.5	20	0.6	1.3:1
CRG-11B-1005	100 - 1500	100 - 1500	11 ± 1.0	± 0.5	15	1.5	1.7:1
		500 - 1000	11 ± 1.0	± 0.5	15	1.2	1.5:1
CRG-20B-1005	100 - 1500	100 - 1500	20 ± 1.0	± 0.5	15	1.5	1.7:1
		500 - 1000	20 ± 1.0	± 0.5	15	1.2	1.5:1

□ Coupling is Referenced to the Input

\* Insertion Loss excludes Coupling Loss

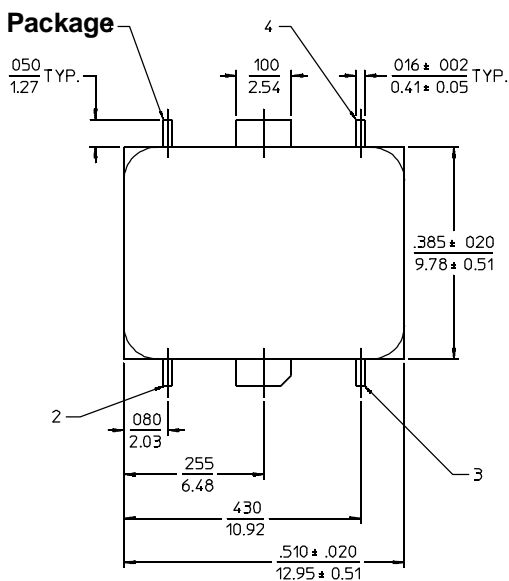
### General Notes:

- The CRG-B series of bi-directional couplers has both coupled ports available. Units may be ordered with one coupled port terminated internally with coupling values up to 30 dB and with coverage over selected frequency bands up to 2 GHz.
- These units comply with MIL-C-15370 requirements and can be supplied screened for compliance with specifications you designate for military and aerospace applications requiring higher reliability.

## GENERAL SPECIFICATIONS

Impedance:	50 Ω nom.
CW Input:	1 W max.
Weight, nominal:	0.07 oz (2 g)
Operating Temperature:	- 55° to +85°C

### B-Size Package



- NOTES:
- Tolerance on 3 place decimals ± 0.10(.25) except as noted.
  - Dimensions in inches over millimeters.
  - Max. is largest dimension allowed.
  - All unnumbered tabs are case ground.

Pin	Function
1	Main line input
2	Main line output
3	Reverse coupled
4	Forward coupled

26Apr96