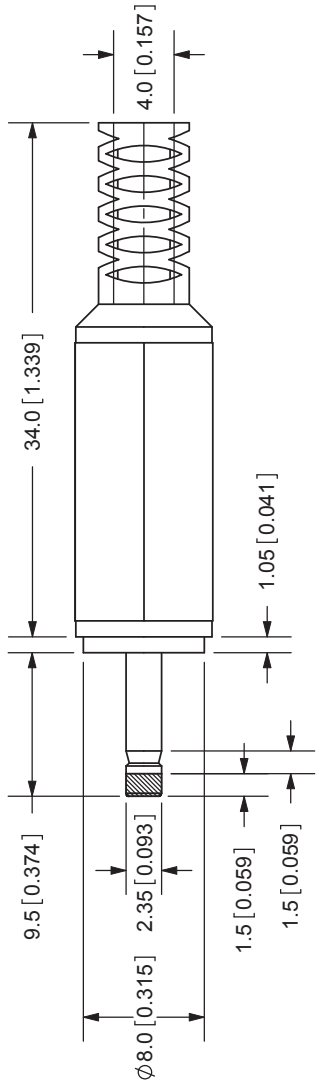


REV.	DESCRIPTION	DATE
A	NEW DRAWING	5/15/2006



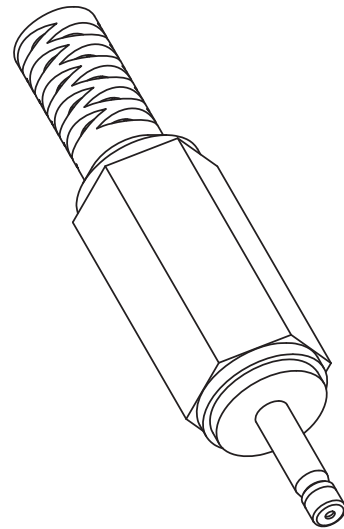
TOLERANCE:
 X.X ±0.2mm
 X.XX ±0.1mm
 X.XXX ±0.05mm



20050 SW 112th Ave.
 Tualatin, OR 97062
 Phone: 503-612-2300
 800-275-4899
 Fax: 503-612-2383
 Website: www.cui.com

SPECIFICATIONS:
 RATING: 16V DC @ 3A
 OPERATING TEMP: 0° ~ +40°C

COVER	PVC	PLATING	Black Color
PIN	Phosphor Bronze		Nickel
BARREL	Brass		Nickel
TERMINALS	Brass		Nickel
TIP INSULATOR	POM		Yellow Color
TITLE: DC POWER PLUG		REV: A	
PART NO: PP-012		UNITS: MM [INCHES]	
DRAWN BY: ZRJ		APPROVED BY:	SCALE: 2:1



PC FILENAME
 PP-012

COPYRIGHT 2007 BY CUI INC.