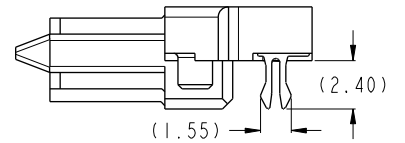


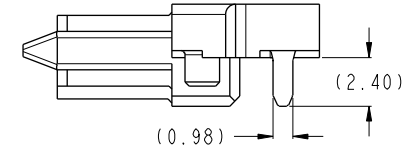
PRODUCT NO.	PIN S1-S7 & PI-PI5	PIN S8-S14	HOLD DOWN	PICK-UP TAPE	PACKAGING
10035202-001LF	YES	YES	METAL CLIP	NO	TRAY
10035202-001TRLF					TAPE & REEL
10035202-002LF	YES	YES	BLADE	NO	TRAY
10035202-002TRLF					TAPE & REEL
10035202-002C-TRLF					TAPE & REEL
10035202-011LF	YES	NO	METAL CLIP	NO	TRAY
10035202-003LF	YES	YES	METAL CLIP	NO	TRAY
10035202-003TRLF					TAPE & REEL



10035202-001LF
10035202-001TRLF
10035202-011LF

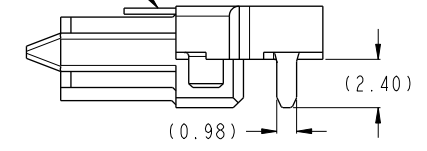


10035202-002LF
10035202-002TRLF

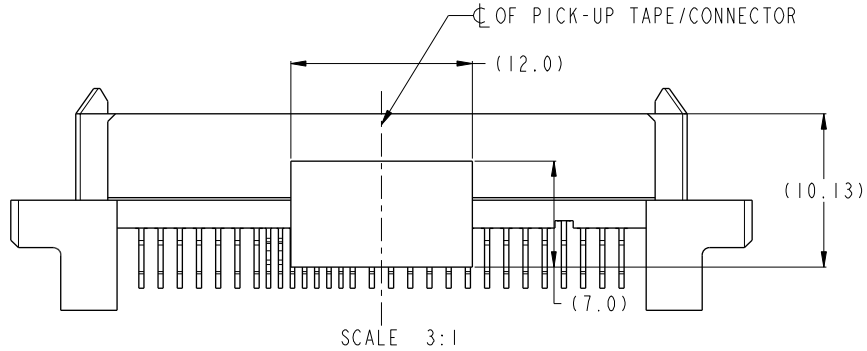
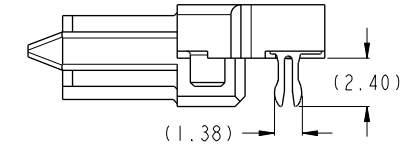


PICK-UP CAP
(KAPTON TAPE)

10035202-002C-TRLF

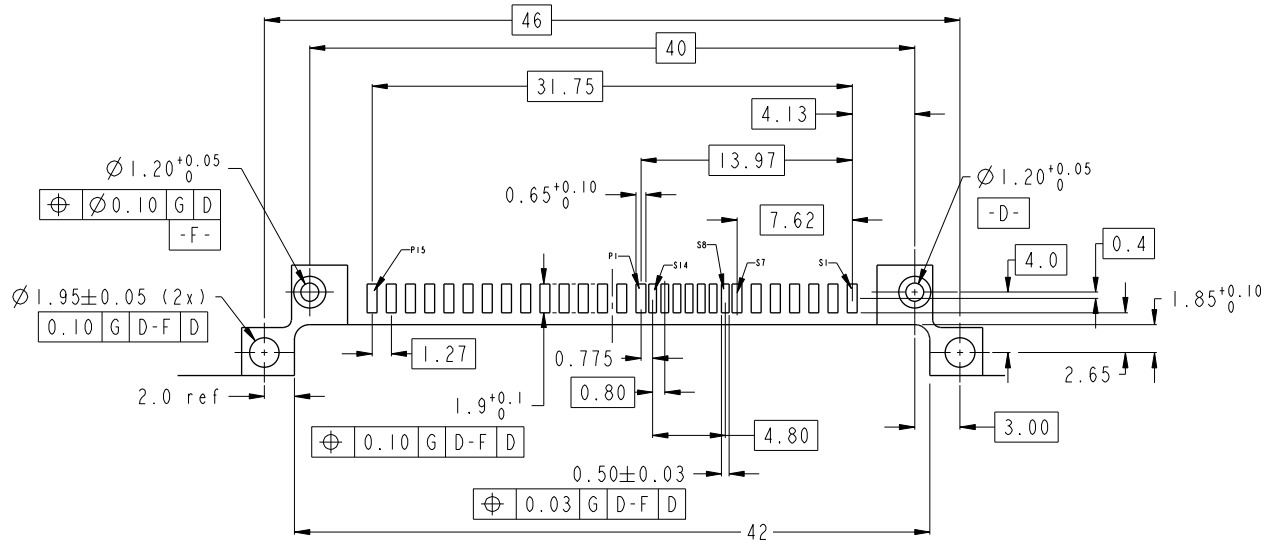


10035202-003LF
10035202-003TRLF

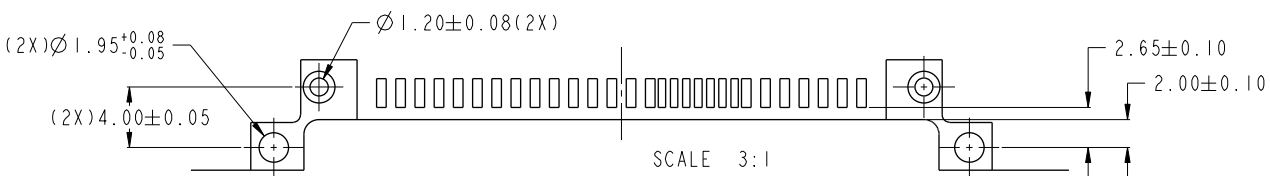


Copyright FCI.

spec ref	dr	JOYCE PEH	2004-08-23	projection	MM	size	A3	scale	1:1	
tolerance std	eng	KP TAY	2013-07-01			ecn no	ELX-S-15099-1	rel level	RELEASED	
ASME Y14.5	chr	KP TAY	2013-07-01							product family
TOLERANCES UNLESS OTHERWISE SPECIFIED										product family
surface	linear	0.X	±0.2		title	SAS RECEPTACLE R/A SMT ASSY	dwg no 10035202	rev S		
		0.XX	±0.2							
		0.XXX	±							
angular	0°	±°	www.fci.com	cat. no.	Product - Customer Drw	sheet 2 of 4				



RECOMMENDED PCB LAYOUT
 RECOMMENDED PCB THICKNESS: 1.6mm
 TOLERANCE UNLESS OTHERWISE: ±0.1

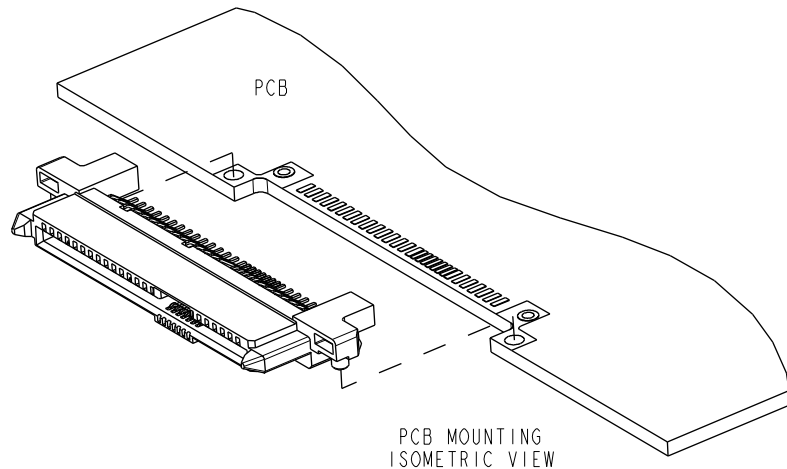


ALTERNATIVE PCB LAYOUT
 (FOR -002LF/TRLF, 002C-TRLF)
 REFER TO RECOMMENDED PCB LAYOUT
 FOR UNSPECIFIED DIMENSIONS



Copyright FCI.

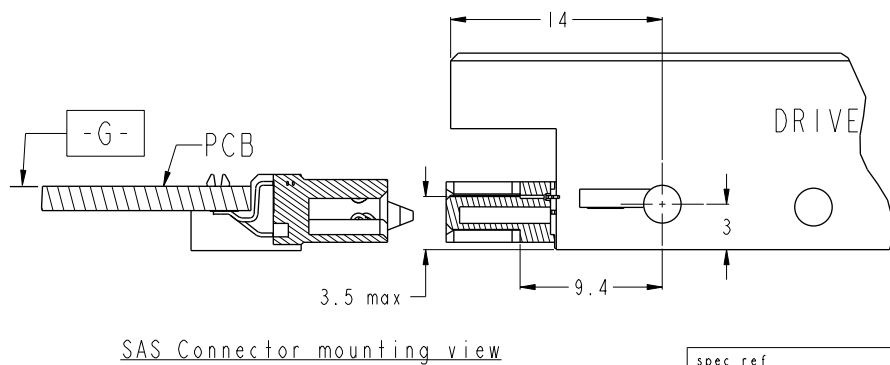
spec ref	dr	JOYCE PEH	2004-08-23	projection	MM	size	A3	scale	1:1
tolerance std	eng	KP TAY	2013-07-01			ecn no	ELX-S-15099-1	rel level	RELEASED
ASME Y14.5	chr	KP TAY	2013-07-01						
TOLERANCES UNLESS OTHERWISE SPECIFIED				appr	CH TAN	2013-07-01	product family		
surface	linear	0.X	±0.2		SAS RECEPTACLE R/A SMT ASSY	title	SAS RECEPTACLE R/A SMT ASSY	cat. no.	Product - Customer Drw
		0.XX	±0.2						
		0.XXX	±						
	angular	0°	±°	www.fci.com			sheet 3 of 4		



PCB MOUNTING
ISOMETRIC VIEW

NOTES: -

1. MATERIAL:
 - 1) HOUSING: HIGH TEMP. THERMOPLASTIC, UL 94V-0
COLOR: BLACK.
 - 2) TERMINAL: COPPER ALLOY.
 - 3) HOLD DOWN: COPPER ALLOY.
2. FINISH:
 - 1) TERMINAL: 30u" PLATING (CONTACT POINT) OVER 50u" MIN NICKEL.
 - 2) SOLDER TAIL: 100u" MIN TIN OVER 50u" MIN NICKEL.
 - 3) HOLD DOWN: 100u" MIN OVER 50u" MIN NICKEL.
3. THE STD. PACK IS IN TRAY.
4. THE HOUSING WILL WITHSTAND EXPOSURE TO 260°C PEAK TEMPERATURE FOR 10 SECONDS IN A CONVECTION, INFRA-RED OR VAPOR PHASE REFLOW OVEN.
5. THIS PRODUCT MEETS EUROPEAN UNION DIRECTIVES AND OTHER COUNTRY REGULATIONS AS DESCRIBE IN GS-22-008.
6. PART NUMBERS ENDING IN "LF" MEANT FOR NOTE 5 LEAD FREE IDENTIFICATION. P/N XXXXXXX-XXXLF IS EQUIVALENT TO PREVIOUS P/N XXXXXXX-XXX.
- 7 ALL SOLDER TAIL MUST BE WITHIN 0.12MM, MAX COPLANARITY.
- 8 THIS IS VACUUM NOZZLE PICK-UP AREA.
9. A \triangle SYMBOL BE NEXT TO ANY DIMENSION, VIEW, OR NOTE WHICH HAS BEEN MODIFIED WITH THE CURRENT DRAWING REVISION.



SAS Connector mounting view

spec ref	dr	JOYCE PEH	2004-08-23	projection	MM	size	A3	scale	1:1
tolerance std	eng	KP TAY	2013-07-01			ecn no	ELX-S-15099-1	rel level	RELEASED
ASME Y14.5	TOLERANCES UNLESS OTHERWISE SPECIFIED								
surface \checkmark	linear	0.X	± 0.2		title SAS RECEPTACLE R/A SMT ASSY	dwg no 10035202	rev S		
		0.XX	± 0.2						
		0.XXX	\pm						
angular	0°	\pm		www.fci.com	cat. no.	Product - Customer Drw	sheet 4 of 4		



Copyright FCI.