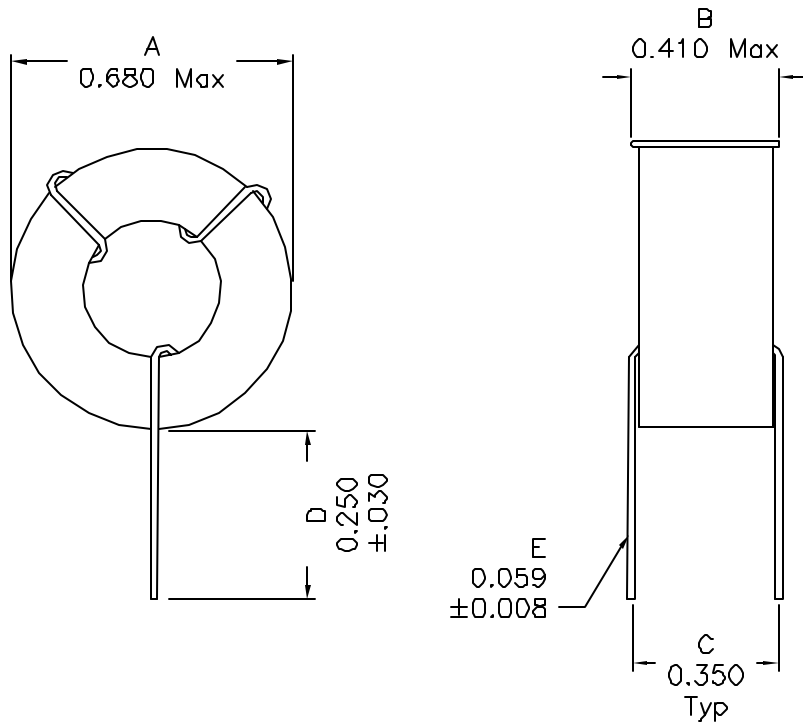
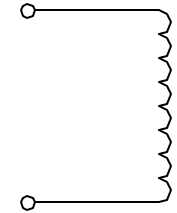


1. Mechanical Dimensions:



2. Schematic:



3. Electrical Specifications: @25°C

OCL: 0.3uH±20% @10KHz 0.1V

OCL: 0.192uH Min @10KHz 0.1V, 28.5Adc

DC Resistance: 0.001 Ohms Maximum

Notes:

1. Solderability: Leads shall meet MIL-STD-202G, Method 208H for solderability.
2. Flammability: UL94V-0
3. ASTM oxygen index: > 28%
4. Insulation System: Class F 155°C. UL file E151556
5. Operating Temperature Range: All listed parameters are to be within tolerance from -40°C to +85°C
6. Storage Temperature Range: -55°C to +125°C
7. Aqueous wash compatible
8. Electrical and mechanical specifications 100% tested
9. RoHS Compliant Component
10. Strip and tin leads to the mounting plane.
11. Varnish required
12. No marking required.

Doc Rev: A/4

XFMRs Inc	Title: TOROIDAL INDUCTOR			
	UNLESS OTHERWISE SPECIFIED TOLERANCES: .xxx ±0.010 Dimensions in INCH	P/N:	XF3009-V01	REV. A
		DWN.	刘 鹏	Sep-06-06
	CHK.	李小锋	Sep-06-06	
SHEET 1 OF 1	APP.	Joe Huff	Sep-06-06	