

NOTE:

1. SPECIFICATION:

- 1.1 Rated current: 5.0 A
- 1.2 Voltage rating: 5V AC
- 1.3 Contact Resistance: 40 m Ω Max.
- 1.4 Insulation Resistance: 100MΩ Min.
- 1.5 Withstanding voltage: 100 VAC/minute
- 1.6 Mating force: 5~20N .
- 1.7 Unmating force: 8~20N.
- 1.8 Durability Cycle: 10,000 cycle
- 1.9 Operating temperature: -40°~+85°

A1	A2	A3	A4	A5	A6	A7	A8	A9	A10	A11	A12
GND	TX1+	TX1-	VBUS	CC1	D+	D-	SBU1	VBUS	RX2-	RX2+	GND
GND	RX1+	RX1-	VBUS	SBU2	D-	D+	CC2	VBUS	TX2-	TX2+	GND
B12	B11	B10	B9	B8	B7	B6	B5	B4	B3	B2	B1
5	MID PLATE	1	SUS301	NICKEL PLATING							T=0.15
4	TERMINAL	24	C18140	MATING SIDE: Au 300"MIN; SOLDER TAIL: Gold FLASH, 500" NICKEL OVERALL.							T=0.12
3	MAIN HOUSING	1	PA9T HF 30%玻纤, UL94 V-0, 黑色								BLACK UL94V-0
2	OUT SHELL	1	SUS304	NICKEL PLATING							T=0.25
1	MAIN SHELL	1	SUS304	NICKEL PLATING							T=0.30
ITEM	DESCRIPTION	QTY	MATERIAL	FINISH							REMARK

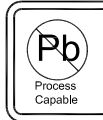
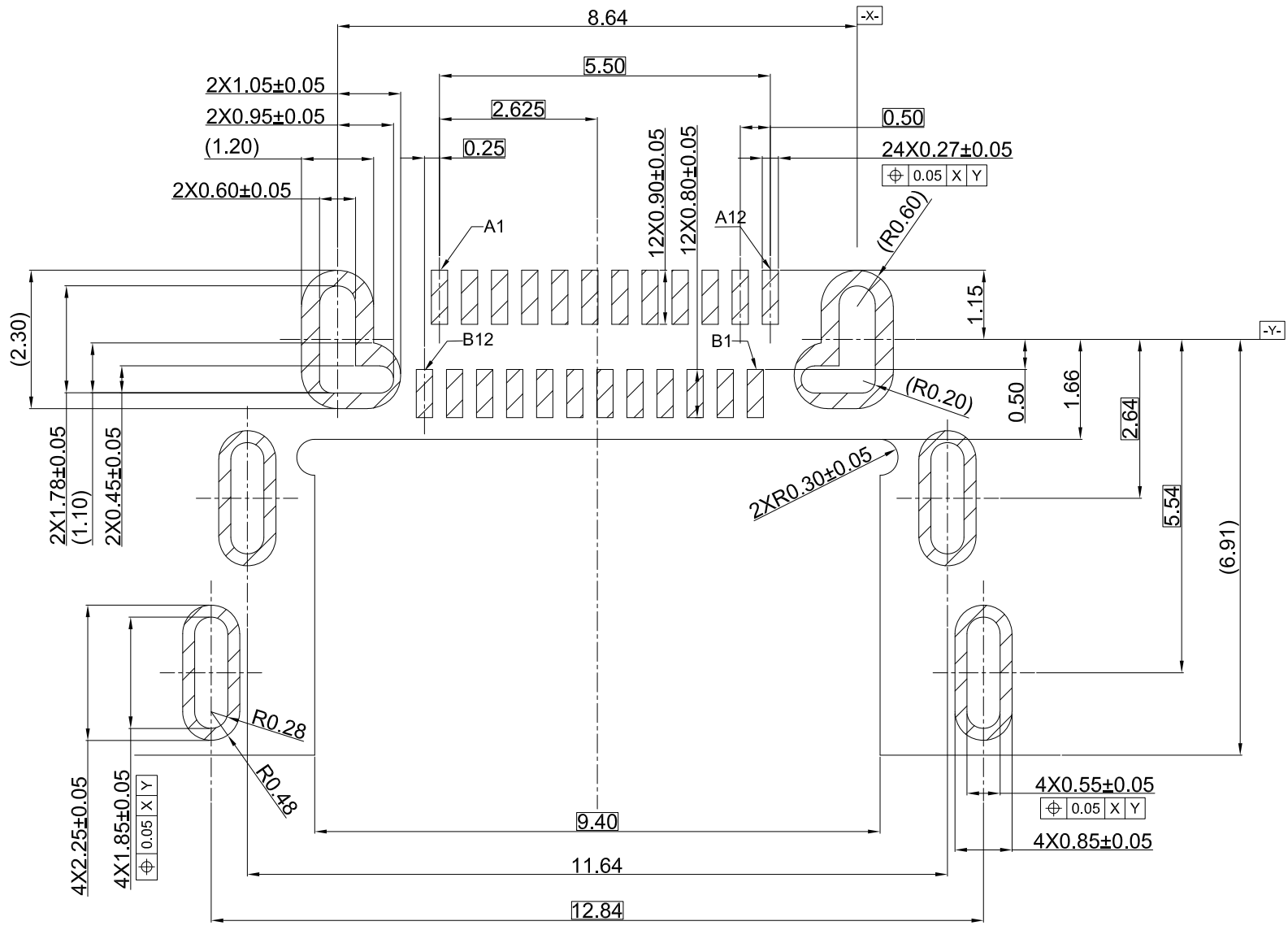
BILL OF MATERIAL



Unless otherwise specified, Tolerance:
 X. ±0.30
 X.x ±0.20
 X.xx ±0.15
 X.xxx ±0.10
 Angles ±3°

G-Switch Electronic (HongKong) CO.,Ltd.

DESIGN Li Qingqi	DATE 2022.04.22	Molde code:	
CHECKED	DATE	GT-USB-7087A	
APPROVED	DATE		
http://www.dg-switch.com		REV.: X1	SCALE: 4:1
TEL:0769-82388879		UNIT: mm	
SIZE: A4	SHEET: 1/1		

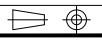


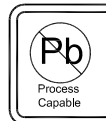
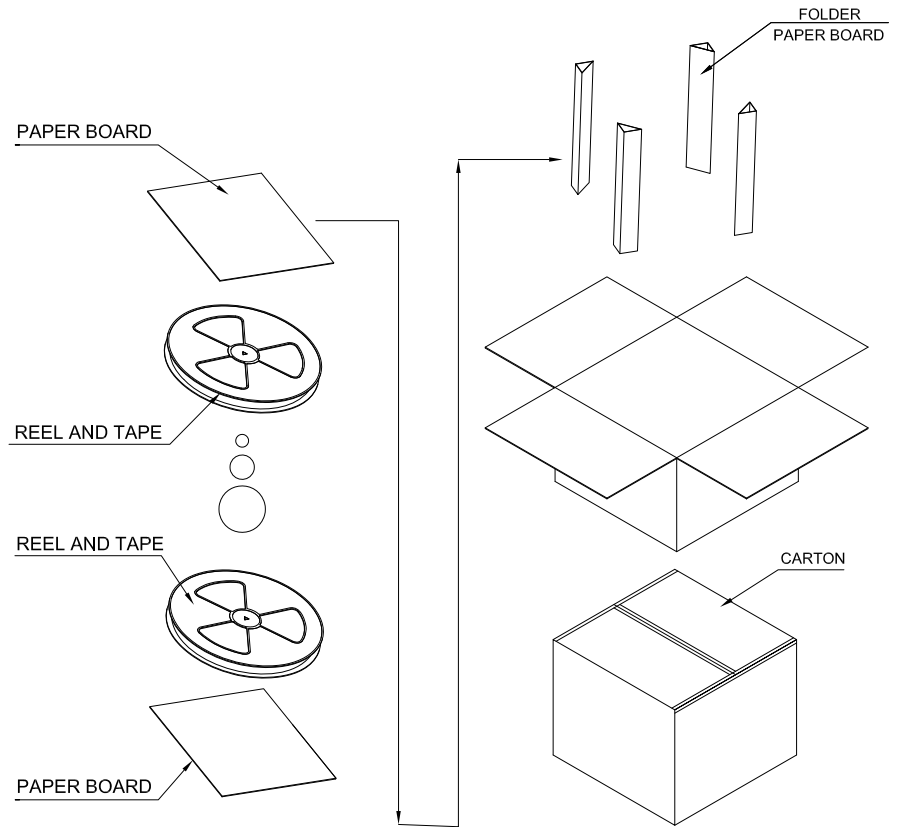
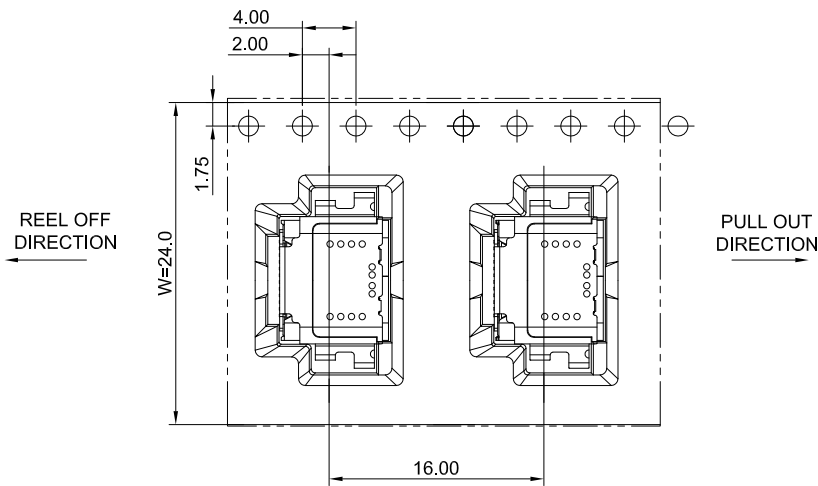
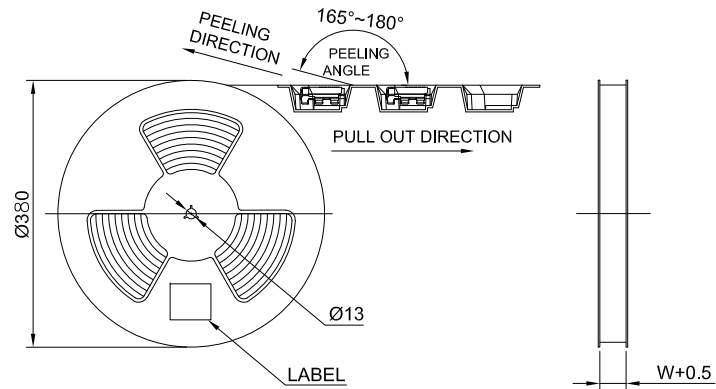
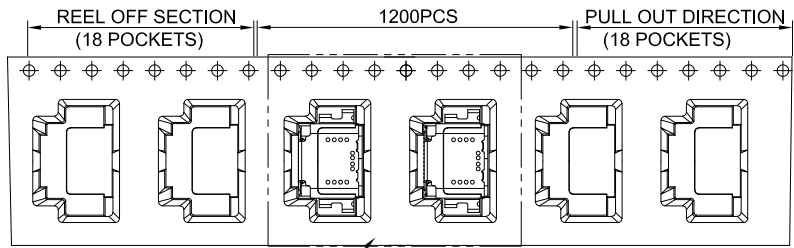
G-Switch Electronic (HongKong) CO.,Ltd.

Unless otherwise specified, Tolerance:
 X. ±0.30
 X.x ±0.20
 X.xx ±0.15
 X.xxx ±0.10
 Angles ±3°

DESIGN Li Qingqi DATE 2022.04.22
 CHECKED DATE
 APPROVED DATE
<http://www.dg-switch.com>
 TEL:0769-82388879

Molde code:
GT-USB-7087A
 REV.: X1 SCALE: 4:1 UNIT: mm
 SIZE: A4 SHEET: 1/1





G-Switch Electronic (HongKong) CO.,Ltd.

Unless otherwise specified, Tolerance:

X. ±0.30
X.x ±0.20
X.xx ±0.15
X.xxx ±0.10
Angles ±3°

DESIGN Li Qingqi

DATE 2022.04.22

Molde code:

CHECKED

DATE

GT-USB-7087A

APPROVED

DATE

<http://www.dg-switch.com>

REV.: X1

SCALE: 4:1

UNIT: mm

TEL:0769-82388879

SIZE: A4

SHEET: 1/1

