

4

3

2

1

THIS DRAWING IS UNPUBLISHED.

RELEASED FOR PUBLICATION

20

© COPYRIGHT 20

BY -

ALL RIGHTS RESERVED.

REVISIONS

P	LTR	DESCRIPTION	DATE	DWN	APVD
	A	INITIAL RELEASE	06APR2015	GY	CW
	B	ECR-15-013759	27SEP2015	DW	CW
	B1	ECR-16-011988	25AUG2016	YC	CW

TYPE 1, T2040102101-000, WITH LOGO
类型 1, T2040102101-000, 带LOGO

NOTES:

1. TECHNICAL CHARACTERISTICS:
INSULATION MATERIAL: PC
RATED VOLTAGE: 500V
RATED CURRENT: 16A
INSULATION RESISTANCE: $\geq 400M\Omega$
RATED IMPULSE VOLTAGE: 6KV
POLLUTION DEGREE: 3
FLAMMABILITY: UL94V-0
MATING CYCLES: 500 CYCLES
WIRE RANGE: $0.5mm^2 \sim 2.5mm^2$ (AWG20-AWG14)
CONTACT TYPE: SCREW CLAMP (M3)

注释:

1. 技术参数:
绝缘材料: PC
额定电压: 500V
额定电流: 16A
绝缘电阻: $\geq 400M\Omega$
脉冲电压: 6KV
污染等级: 3
阻燃等级: UL94V-0
插拔次数: 500 次
接线范围: $0.5mm^2 \sim 2.5mm^2$ (AWG20-AWG14)
接线类型: 螺丝压接 (M3)

4X M3 SCREW, RECOMMENDED
TIGHTENING TORQUE 0.5Nm
4X M3螺丝, 推荐锁紧力矩0.5Nm

M4 SCREW, RECOMMENDED
TIGHTENING TORQUE 1.2Nm
M4螺丝, 推荐锁紧力矩1.2Nm

10X M3 SCREW, RECOMMENDED
TIGHTENING TORQUE 0.5Nm
10X M3螺丝, 推荐锁紧力矩0.5Nm

PANEL CUT FOR INSERTS FOR USE
WITHOUT HOODS/ HOUSINGS
不使用防护外壳时芯件的安装开孔图

THIS DRAWING IS A CONTROLLED DOCUMENT.

DIMENSIONS:	TOLERANCES UNLESS OTHERWISE SPECIFIED:
-	0 PLC \pm
-	1 PLC \pm
-	2 PLC \pm
-	3 PLC \pm
-	4 PLC \pm
-	ANGLES \pm
MATERIAL	FINISH
-	-
-	-

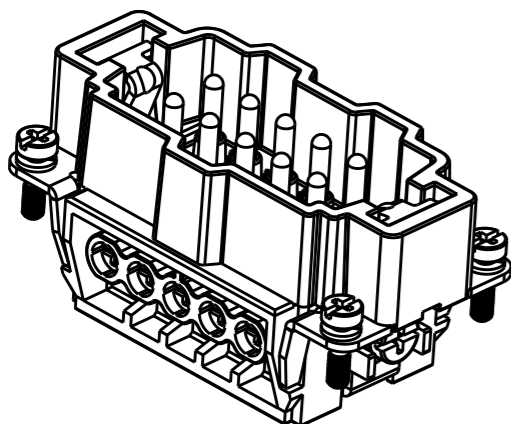
DWN	GINO YAO	06APR2015
CHK	CHRIS WANG	06APR2015
APVD	XIANG XU	06APR2015
PRODUCT SPEC	108-137044	
APPLICATION SPEC	114-137044	
WEIGHT	-	
CUSTOMER DRAWING		

NAME		HE-010-M	
SIZE	CAGE CODE	DRAWING NO	RESTRICTED TO
A3	00779	C-T2040102101000	-
SCALE		SHEET	REV
1:1		1 OF 2	B1

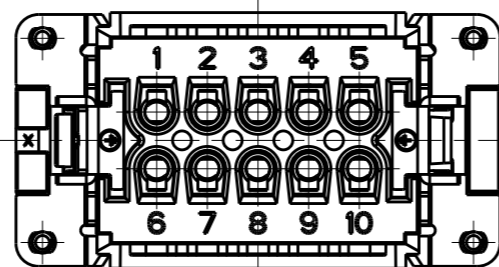
1470-19 (3/13)

REVISIONS

P	LTR	DESCRIPTION	DATE	DWN	APVD
		SEE SHEET 1			

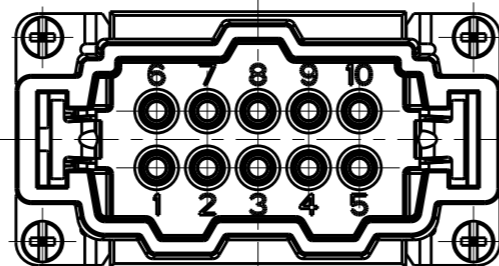
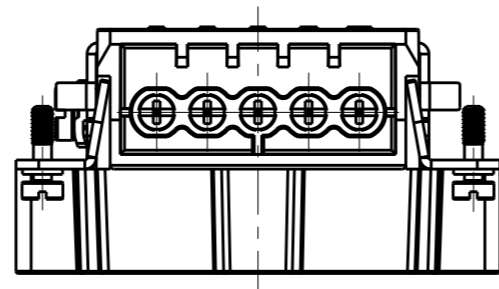
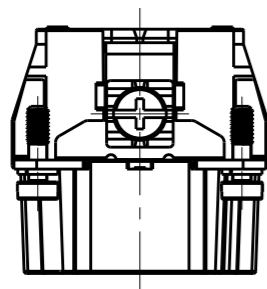


TYPE 2, T2040102101-001, WITHOUT LOGO
 类型 2, T2040102101-001, 不带LOGO



NOTE:
 ALL SPEC REFER TO TYPE 1

注释:
 所有产品规范参照 TYPE 1



T2040102101-000	HE-010-M	HE-010 MALE INSERT HE-010 公插	TYPE 1
T2040102101-001	HE-010-M	HE-010 MALE INSERT, WITHOUT LOGO HE-010 公插, 无LOGO	TYPE 2
PART NUMBER 料号	PART DESCRIPTION 描述		TYPE 类型

THIS DRAWING IS A CONTROLLED DOCUMENT.

DIMENSIONS:	TOLERANCES UNLESS OTHERWISE SPECIFIED:
mm	
	0 PLC ±-
	1 PLC ±-
	2 PLC ±-
	3 PLC ±-
	4 PLC ±-
	ANGLES ±-
MATERIAL	FINISH
-	-
-	-

DWN	GINO YAO	06APR2015
CHK	CHRIS WANG	06APR2015
APVD	XIANG XU	06APR2015
PRODUCT SPEC	108-137044	
APPLICATION SPEC	114-137044	
WEIGHT	-	
CUSTOMER DRAWING		

NAME HE-010-M			
SIZE	CAGE CODE	DRAWING NO	RESTRICTED TO
A3	00779	©-T2040102101000	-
SCALE		SHEET	REV
1:1		2 OF 2	B1