

REVISIONS			
REV.	DESCRIPTION	ECN NO.	DATE
01	FIRST RELEASE	N/A	06/23/16

When ordering, please add suffix "T" to the part number for tape & reel packaging (330mm reel).

PAGE 4 & 5 ARE FOR INTERNAL ONLY

PART NUMBER	PART DESCRIPTION
824-00524F	RoHS compliant per EU Directive 2011/65/EU

TITLE	TRANSFORMER, 100BASE-T, SINGLE, SMD, 16 PIN, EXT. TEMP.
-------	---


WARNING !
 ALL SHEETS OF THIS DOCUMENT ARE CONTROLLED DOCUMENTATION AND ARE NOT TO BE RELEASED OUTSIDE OF E&E OR ITS SUB-CONTRACTORS WITHOUT AUTHORIZATION.

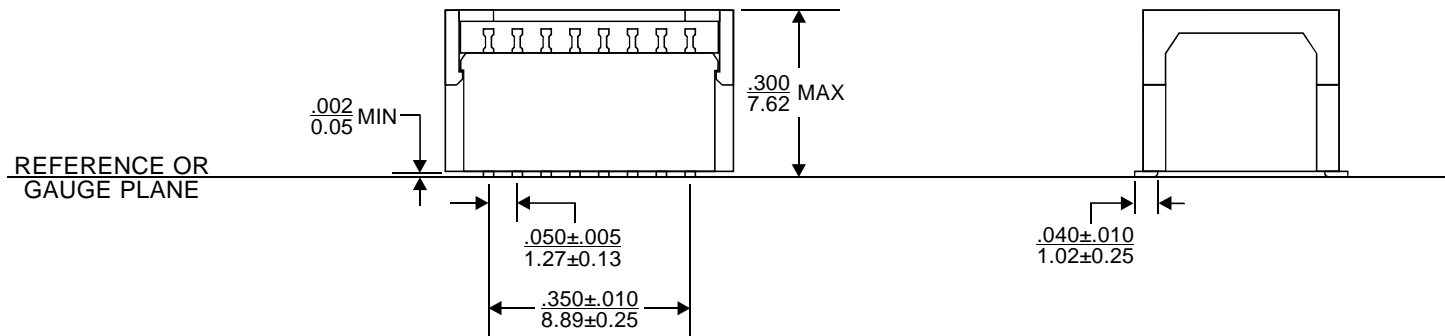
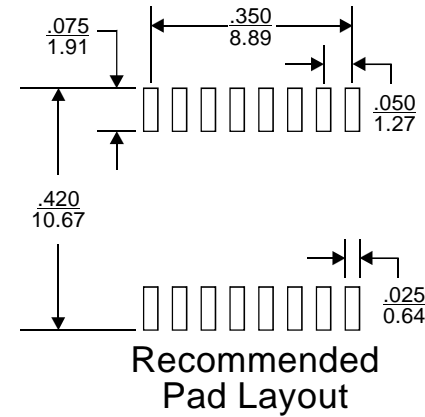
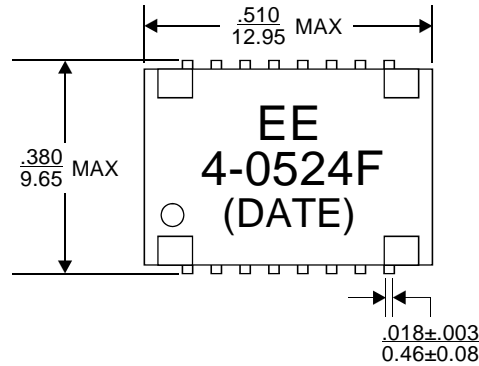
UNLESS OTHERWISE SPECIFIED, DIMENSIONS ARE IN INCH/mm.

TOLERANCE ARE:

INCH	mm	ANGLE
.XXX ± .005	.XX ± 0.13	X.X ± 0.3
.XX ± .02	.X ± 0.5	X. ± 1

APPROVALS	DATE
DRAWN BY Y.L. YUNG	06/23/16
PROJ. ENG Y.L. YUNG	06/23/16
APPROVED BY D. YUNG	06/23/16
Q.A. D. LUO	06/23/16

 E & E Magnetic Products Ltd.	
DRAWING NO./MODEL 824-00524F	REV 01
SCALE DO NOT SCALE	PAGE 1 OF 5



1. Dimensions are specified in $\frac{\text{inches}}{\text{mm}}$ with higher precedence in inches.
2. Unless otherwise specified, all tolerances are $\pm \frac{.010}{0.25}$.
3. Coplanarity: $\frac{.004}{0.10}$ max.
4. "(DATE)" includes at least the manufacturing date code(in YYWW format).

MECHANICAL OUTLINE



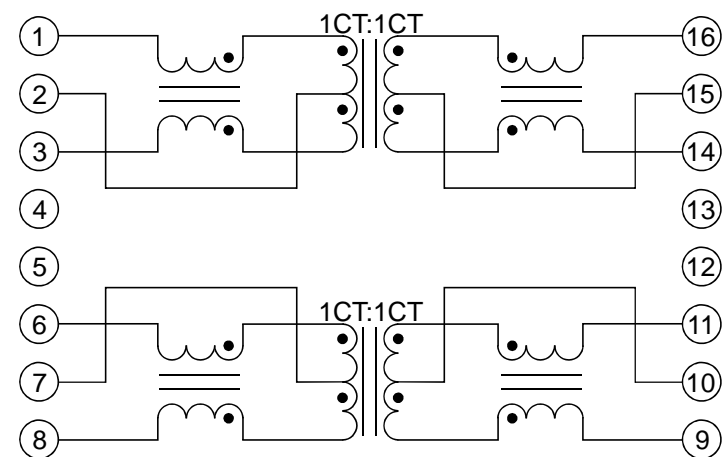
E & E Magnetic Products Ltd.

DRAWING NO./MODEL		REV	
824-00524F		01	
SCALE	PAGE	OF	
DO NOT SCALE	2	5	


ELECTRICAL SPECIFICATION @25°C:

PARAMETERS	UNIT	LIMIT
Turns Ratio (1-3):(16-14)	-	1CT:1CT ± 3%
Turns Ratio (6-8):(11-9)	-	1CT:1CT ± 3%
Polarity	-	Per Schematic
Inductance, Ls(1-3) @100kHz, 0.1Vrms, 8mADC	uH	350 Min
Inductance, Ls(6-8) @100kHz, 0.1Vrms, 8mADC	uH	350 Min
Insertion Loss @1-100MHz	dB	1.2 Max
Return Loss @1-30MHz	dB	18 Min
Return Loss @40MHz	dB	15.5 Min
Return Loss @50MHz	dB	13.6 Min
Return Loss @60-80MHz	dB	12 Min
CMRR @1-100MHz	dB	45 Typ
Crosstalk @1-100MHz (between channels)	dB	40 Typ
HIPOT (Primary):(Secondary)	Vrms	1500 Min

5. Operating temperature : -40 °C to +85 °C.



SCHEMATIC

 E & E Magnetic Products Ltd.		
DRAWING NO./MODEL		REV
824-00524F		01
SCALE	PAGE	OF
DO NOT SCALE	3	5