

PLEASE CHECK WWW.MOLEX.COM FOR LATEST PART INFORMATION

Part Number: [73174-0040](#)
Status: **Active**
Overview: DIN 1.0/2.3 Connector and Backplane System
Description: 50 Ohms, DIN 1.0/2.3 / DIN 41626, Right-Angle, Jack, Tray

Documents:

[Drawing \(PDF\)](#) [RoHS Certificate of Compliance \(PDF\)](#)

General

Product Family	RF/Coax Connectors
Series	73174
Overview	<u>DIN 1.0/2.3 Connector and Backplane System</u>
Product Name	DIN 1.0/2.3, DIN 41626
Style	PCB
UPC	822350561877
Wire/Cable Type	N/A

Physical

Gender	Jack
Keying to Mating Part	None
Orientation	Right Angle
PCB Mounting	Through Hole
Packaging Type	Bag
Panel Mount	No
Panel Mount Method	N/A
Reverse Polar	No

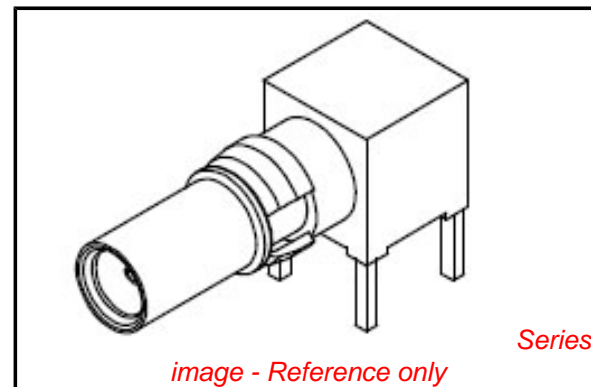
Electrical

Impedance	50#
-----------	-----

Material Info

Reference - Drawing Numbers

Sales Drawing	SD-73174-004
---------------	--------------



EU RoHS

RoHS Compliant RF Product
REACH SVHC Not Reviewed
Low-Halogen Status Not Reviewed

China RoHS



Need more information on product environmental compliance?

Email productcompliance@molex.com
 For a multiple part number RoHS Certificate of Compliance, [click here](#)

Please visit the [Contact Us](#) section for any non-product compliance questions.

Search Parts in this Series
 73174Series