

X2 Frequency Multiplier

50Ω Output 2200 to 3800 MHz

ZX90-2-19+



CASE STYLE: JA1242

Connectors Model
SMA ZX90-2-19-S+

+RoHS Compliant

The +Suffix identifies RoHS Compliance. See our web site for RoHS Compliance methodologies and qualifications

Maximum Ratings

Operating Temperature	-55°C to 100°C
Storage Temperature	-55°C to 100°C
RF Input Power, 25°C	23 dBm

Permanent damage may occur if any of these limits are exceeded.

Coaxial Connections

INPUT	2
OUTPUT	1

Features

- broadband
- low conversion loss, 10.5 dB typ.
- rugged construction
- protected by US Patent 6,790,049

Applications

- synthesizers
- local oscillators

Electrical Specifications

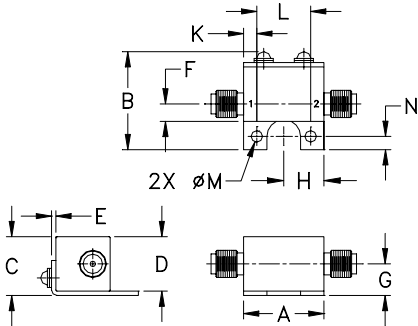
MULTIPLICATION FACTOR	FREQUENCY (MHz)		INPUT POWER (dBm)		CONVERSION LOSS (dB)		*HARMONIC OUTPUT (dBc)					
	F1 Input	F2 Output	Min.	Max.	Typ.	Max.	F1		F3		F4	
	Typ.	Min.	Typ.	Min.	Typ.	Min.	Typ.	Min.	Typ.	Min.	Typ.	Min.
2	1100-1900	2200-3800	5	10	10.5	14.5	27	20	30	23	17	11

* Harmonics of input frequency below the power level of F2

Typical Performance Data

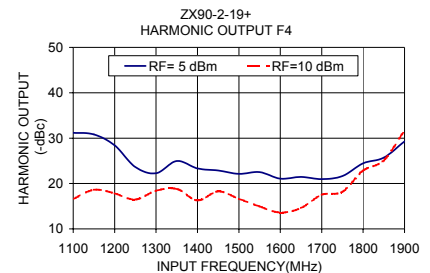
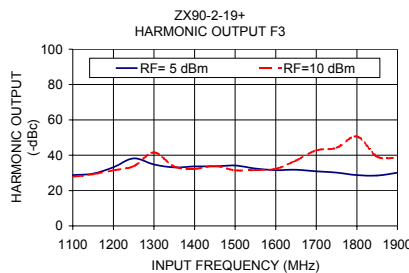
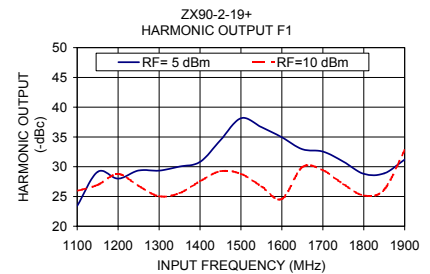
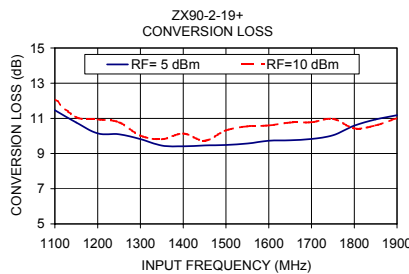
Input Frequency (MHz)	INPUT RF= 5 dBm					INPUT RF= 10 dBm			
	Conversion Loss (dB)	Harmonic Output Below F2 (-dBc)			Conversion Loss (dB)	Harmonic Output Below F2 (-dBc)			
		F1	F3	F4		F1	F3	F4	
1100.00	11.46	23.43	28.77	31.18	12.10	25.95	27.81	16.56	
1150.00	10.76	29.15	29.59	30.82	11.06	26.94	29.25	18.64	
1200.00	10.15	28.00	33.16	28.41	10.94	28.77	31.44	17.83	
1250.00	10.10	29.37	38.22	23.66	10.78	26.78	33.74	16.46	
1300.00	9.82	29.33	34.73	22.27	10.02	25.03	41.56	18.39	
1350.00	9.45	30.03	33.13	24.97	9.81	25.56	33.58	18.82	
1400.00	9.41	30.81	33.72	23.31	10.14	27.56	32.27	16.29	
1450.00	9.46	34.44	33.65	22.87	9.73	29.23	33.94	18.28	
1500.00	9.49	38.13	34.21	22.14	10.31	28.80	31.51	16.64	
1550.00	9.57	36.65	32.46	22.53	10.55	26.71	31.65	14.95	
1600.00	9.73	34.93	31.55	21.08	10.60	24.56	32.26	13.62	
1650.00	9.75	32.94	31.83	21.46	10.76	29.92	36.99	14.61	
1700.00	9.83	32.54	30.91	20.96	10.78	29.42	42.75	17.52	
1750.00	10.04	30.85	30.19	21.65	10.97	27.09	44.22	18.17	
1800.00	10.59	28.81	28.76	24.46	10.43	25.15	50.65	22.83	
1850.00	10.94	28.88	28.49	25.71	10.60	26.14	39.20	25.09	
1900.00	11.18	31.20	30.07	29.26	11.01	32.76	38.51	31.67	

Outline Drawing



Outline Dimensions (inch/mm)

A	B	C	D	E	F	G
.74	.90	.54	.50	.04	.16	.29
18.80	22.86	13.72	12.70	1.02	4.06	7.37
H	J	K	L	M	N	wt
.37	--	.122	.496	.106	.122	grams
9.40	--	3.10	12.60	2.69	3.10	19.0



Notes

- Performance and quality attributes and conditions not expressly stated in this specification document are intended to be excluded and do not form a part of this specification document.
- Electrical specifications and performance data contained in this specification document are based on Mini-Circuit's applicable established test performance criteria and measurement instructions.
- The parts covered by this specification document are subject to Mini-Circuits standard limited warranty and terms and conditions (collectively, "Standard Terms"); Purchasers of this part are entitled to the rights and benefits contained therein. For a full statement of the Standard Terms and the exclusive rights and remedies thereunder, please visit Mini-Circuits' website at www.minicircuits.com/MCLStore/terms.jsp

