

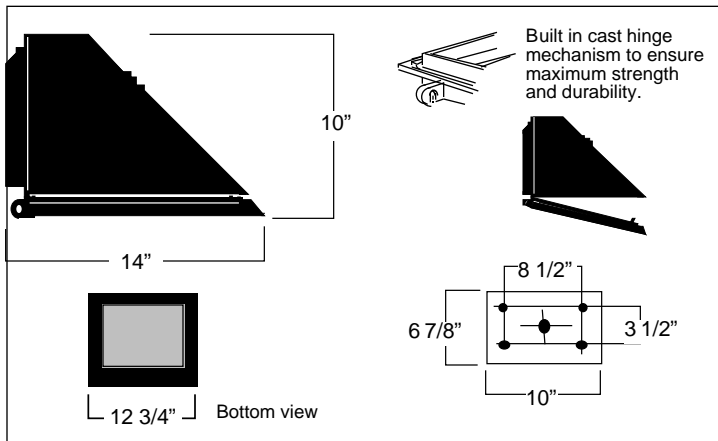
Specification

All exposed cast aluminum components are made of non corrosive pure aluminum copper free (Aluminum is less than .1% copper content.#356 alloy.)

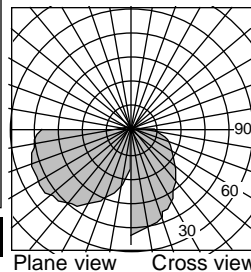
Finish: All polyester powder baked coatings preceded with a 5 baths preparation process. Meets military grade MIL-C781706 with a 2000 hours salt spray test.

- Pulse rated medium base porcelain socket.
- 75W/600V thermoplastic compact fluorescent socket.
- One-piece molded silicone gasket with memory retention.
- High power factor CWA ballast. Or 98% P.F. electronic smart ballast with end of life detection for compact fluorescent.
- All stainless steel hardware.
- All Moving and removable parts are sealed with a memory retention silicone gasket.

- 1- Isolated dust proof mounting chamber with #11 ga. galvanized pressure mounting plate allowing luminaire tilt up for ease of installation and wiring connection.
- 2- One piece closed shell cast aluminum optical lighting chamber.
- 3- Ballast mounting tray with quick disconnect terminals.
- 4- **HID:** Standard type III multifaced, computer generated high performance reflector.
(Optional forward throw type IV reflector. Specify **RF4**)
CFL: Standard type IV (forward throw)
- 5- One-piece cast aluminum precision fit lens frame , with integral cast hinge swing-out mechanism.
- 6- Clear tempered lens,



Photometry



Separate updated technical specification sheets with related models and light sources with I.E.S formatted photometry are available on www.luminis.com.

Certification

UL. Wet Location.

Mounting & E.P.A.

Max. weight: 26 lbs
Installation: Mounts over a standard 4" octagonal box with 3 1/2" c/c mounting holes. additional mounting holes are provided with wall plate.

For options details and specifications, please refer to pages 42 & 72

Model#	Light source selection	Voltage	Finish	Options	
<input type="checkbox"/> TP200 	MH (ED17) <input type="checkbox"/> M70 <input type="checkbox"/> M100 <input type="checkbox"/> M150 <input type="checkbox"/> M175 HPS (ED17) <input type="checkbox"/> H70 <input type="checkbox"/> H100 <input type="checkbox"/> H150 (Lamps by others)	CF (Gx24q) Single lamp <input type="checkbox"/> F157 <input type="checkbox"/> F170 <input type="checkbox"/> F185 2G8-1 base (120V) CF (Gx24q) Two lamp <input type="checkbox"/> F242	120 V Standard factory prewired (If no voltage is specified) For other voltages, please specify with catalog number. H.I.D. <input type="checkbox"/> 208 V <input type="checkbox"/> 240 V <input type="checkbox"/> 277 V <input type="checkbox"/> 347 V COMP. FLUO. Smart ballast 120/277 <input type="checkbox"/> 347 V (To specify)	(Refer to color chart) Standard selection <input type="checkbox"/> WHT: Snow white <input type="checkbox"/> BKT: Jet black <input type="checkbox"/> BZT: Bronze <input type="checkbox"/> GRT: Titanium gray <input type="checkbox"/> DGT: Gun metal <input type="checkbox"/> CHT: Champagne <input type="checkbox"/> MST: Matte silver <input type="checkbox"/> GNT: Forest green Optional colors <input type="checkbox"/> CS: Custom color <input type="checkbox"/> RAL: RAL# color	<input type="checkbox"/> RF4: Type IV Multifaceted specular reflector. (H.I.D. Sources) Electrical <input type="checkbox"/> EM42S: 1 lamp (26/32/42W) <input type="checkbox"/> FS: Fuse <input type="checkbox"/> PH1: 120/277V photo cell. <input type="checkbox"/> PH2: 347V photo cell. <input type="checkbox"/> QS: Standby lamp socket. <input type="checkbox"/> QRS: H.I.D. lamp restricke
	Best results with H.I.D. Clear lamps				

luminaires may be altered for design improvements or discontinued without prior notice.