

**PLEASE CHECK WWW.MOLEX.COM FOR LATEST PART INFORMATION**

**Part Number:** [0038002393](#)  
**Status:** **Active**  
**Overview:** [kk](#)  
**Description:** 2.54mm (.100") Pitch KK® Connector, IDT, High Pressure Cat Ear Contact System, Green ID Stripe, 3 Circuit

**Documents:**

[Drawing \(PDF\)](#) [Product Specification PSX-7690S \(PDF\)](#)  
[Product Specification PS-99020-0088 \(PDF\)](#) [RoHS Certificate of Compliance \(PDF\)](#)

**Agency Certification**

UL E29179

**General**

Product Family IDT and Solder Connectors  
 Series [7690](#)  
 Comments Version H  
 Crimp Quality Equipment Yes  
 Overview [kk](#)  
 Product Name KK®

**Physical**

Circuits (Loaded) 3  
 Color - Resin Natural  
 Durability (mating cycles max) 25  
 Flammability 94V-2  
 Gender Female  
 Glow-Wire Compliant No  
 Lock to Mating Part Yes  
 Material - Metal Brass  
 Material - Plating Mating Tin  
 Material - Plating Termination Tin  
 Material - Resin Nylon  
 Number of Rows 1  
 Packaging Type Bag  
 Panel Mount No  
 Pitch - Mating Interface (in) 0.100 In  
 Pitch - Mating Interface (mm) 2.54 mm  
 Plating min: Mating (µin) 40  
 Plating min: Mating (µm) 1.00  
 Plating min: Termination (µin) 40  
 Plating min: Termination (µm) 1.00  
 Temperature Range - Operating 0°C to +75°C  
 Wire Size AWG 24 Stranded, 26 Solid, 26 Stranded Topcoat

**Electrical**

Current - Maximum per Contact 2.5A  
 Voltage - Maximum 250V

**Solder Process Data**

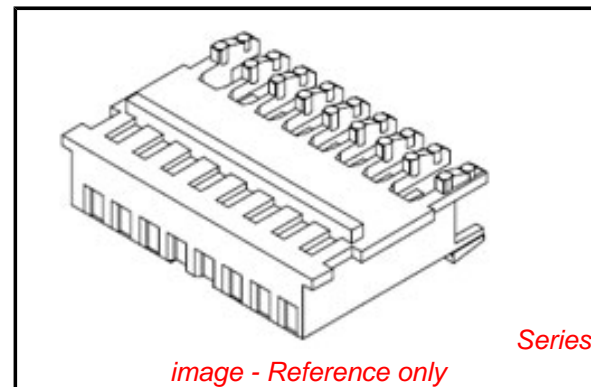
Lead-free Process Capability Wave Capable (TH only)

**Material Info**

Old Part Number 7690SC03H

**Reference - Drawing Numbers**

Product Specification PS-99020-0088, PSX-7690S



**EU RoHS**

**ELV and RoHS Compliant**  
**REACH SVHC**  
 Not Reviewed  
**Halogen-Free Status**  
**Not Reviewed**

**China RoHS**



**Need more information on product environmental compliance?**

Email [productcompliance@molex.com](mailto:productcompliance@molex.com)  
 For a multiple part number RoHS Certificate of Compliance, [click here](#)

Please visit the [Contact Us](#) section for any non-product compliance questions.

**Search Parts in this Series**

[7690Series](#)

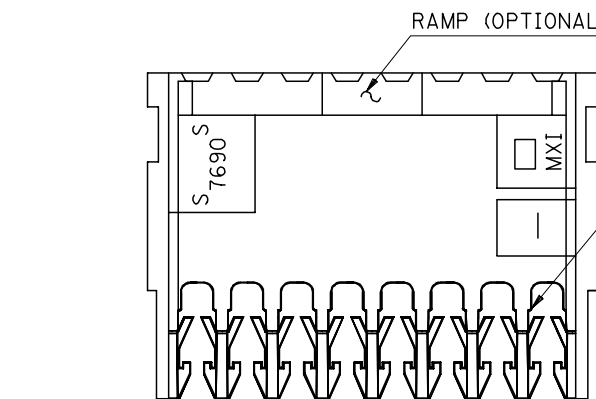
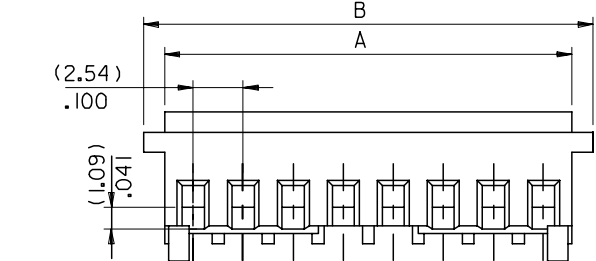
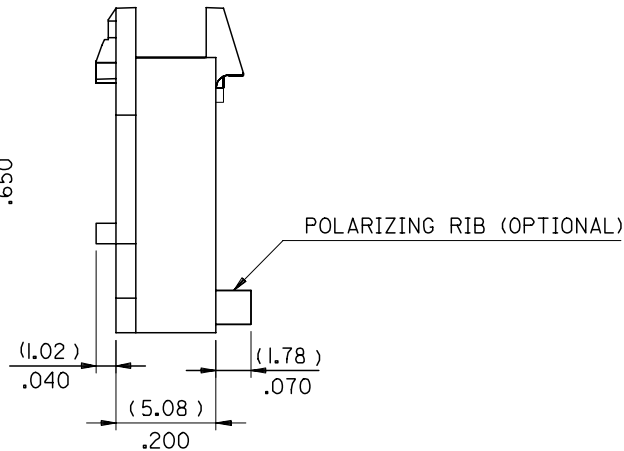
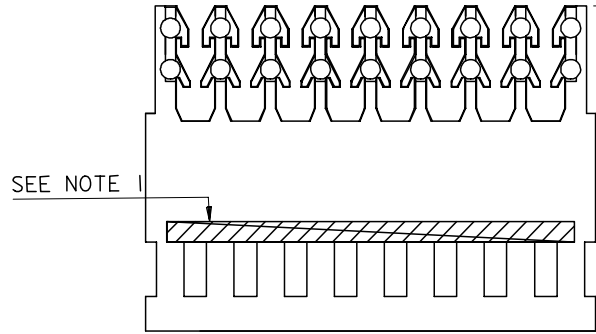
**Mates With**

Molex KK® 2.54mm (.100") pitch headers and 0.64mm (.025") pins

This document was generated on 05/19/2010

**PLEASE CHECK [WWW.MOLEX.COM](http://WWW.MOLEX.COM) FOR LATEST PART INFORMATION**

CCT.	DIM "A"	DIM "B"
2	(2.54)/.100	(7.59)/.299
3	(5.08)/.200	(10.13)/.399
4	(7.62)/.300	(12.67)/.499
5	(10.16)/.400	(15.21)/.599
6	(12.70)/.500	(17.75)/.699
7	(15.24)/.600	(20.29)/.799
8	(17.78)/.700	(22.83)/.899
9	(20.30)/.800	(25.37)/.999
10	(22.86)/.900	(27.92)/1.099
11	(25.40)/1.000	(30.45)/1.199
12	(27.94)/1.100	(32.99)/1.299
13	(30.48)/1.200	(35.53)/1.399
14	(33.02)/1.300	(38.07)/1.499
15	(35.56)/1.400	(40.61)/1.599
16	(38.10)/1.500	(43.15)/1.699
17	(40.64)/1.600	(45.69)/1.799
18	(43.18)/1.700	(48.23)/1.899
19	(45.72)/1.800	(50.77)/1.999
20	(48.26)/1.900	(53.31)/2.099
21	(50.80)/2.000	(55.85)/2.199
22	(53.34)/2.100	(58.39)/2.299
23	(55.88)/2.200	(60.93)/2.399
24	(58.42)/2.300	(63.47)/2.499
25	(60.96)/2.400	(66.01)/2.599
26	(63.50)/2.500	(68.55)/2.699
27	(66.04)/2.600	(71.09)/2.799
28	(68.58)/2.700	(73.63)/2.899



A-7690S-\*N\*-\*

BASE NO.      VOID LOCATION  
 TERM. DESIGNATION  
 NO. OF CIRCUITS

HOUSING CONFIGURATION  
 A= STD. HOUSING(NO OPTIONS)  
 B= WITH RAMP  
 C= WITH RAMP AND POLARIZING RIBS

TERMINAL (SEE CHART)

- 1- COLOURED STRIPE RUNNING LENGTH OF THE RIB AS SHOWN
- 2- TERMINALS RO BE LUBRICATED PRIOR TO ASSEMBLY WITH MXI-3 LUBRICANT.
- 3- THIS ASSEMBLY WILL ACCOMODATE (1.24)/.056 MAX. DIA. INSULATION
- 4- CONNECTOR MATERIAL: NYLON 6/6 94V-2
- 5- FOR USE WITH (0.64)/.025 ROUND OR SQUARE WIRE TO INTERSECTION DEPTH OF (7.87/6.10) / .310/.240
- 6- VOIDS ARE AVAILABLE WITH DESIGNATED PIN ENTRY HOLES MOLDED CLOSED
- 7- ALL TERMINALS HAVE CAT-EARS CONFIGURATION
- 8- FOR STANDARD PARTS SEE FOLLOWING SHEETS
- 9- THIS PART CONFORMS TO PROD.SPEC.99020-0088

REVISED SEET 2 EC NO: E2006-0657 DRWN:DMASZKI/EMI/CZ 2006/06/06 CHKD:D. MOR ARTY 2006/06/07 APPR: DENNEHY 2006/06/09	QUALITY SYMBOLS	GENERAL TOLERANCES (UNLESS SPECIFIED)	DIMENSION STYLE	SCALE	DESIGN UNITS	THIRD ANGLE PROJECTION															
	$\nabla=0$ $\triangle=0$	<table border="1"> <thead> <tr> <th></th> <th>mm</th> <th>INCH</th> </tr> </thead> <tbody> <tr> <td>4 PLACES</td> <td>± ---</td> <td>± ---</td> </tr> <tr> <td>3 PLACES</td> <td>± ---</td> <td>± .005</td> </tr> <tr> <td>2 PLACES</td> <td>± 0.13</td> <td>± .010</td> </tr> <tr> <td>1 PLACE</td> <td>± 0.25</td> <td>± ---</td> </tr> </tbody> </table>		mm	INCH	4 PLACES	± ---	± ---	3 PLACES	± ---	± .005	2 PLACES	± 0.13	± .010	1 PLACE	± 0.25	± ---	MM/IN	4:1	METRIC	
		mm	INCH																		
	4 PLACES	± ---	± ---																		
3 PLACES	± ---	± .005																			
2 PLACES	± 0.13	± .010																			
1 PLACE	± 0.25	± ---																			
DESCRIPTION	DRAWN BY	DATE	TITLE																		
REV	MOHALLOR	1998/09/16	INSULATION DISPLACEMENT CONN. (2.54)/.100 CENTRELINES																		
	APPROVED BY	DATE	MOLEX INCORPORATED																		
	MWILHITE	1998/09/16	SDA-7690S-*N*																		
	MATERIAL NO.	DOCUMENT NO.	SHEET NO.																		
			1 OF 3																		
	DRAFT WHERE APPLICABLE MUST REMAIN WITHIN DIMENSIONS		THIS DRAWING CONTAINS INFORMATION THAT IS PROPRIETARY TO MOLEX INCORPORATED AND SHOULD NOT BE USED WITHOUT WRITTEN PERMISSION																		

F

E

D

C

B

A

F

E

D

C

B

A

PART NO.	ENG NO.	CCTS	TERM NO.	I.D. STRIPE	PLTG
38-00- 2392	A-7690S-C 2H	2	40125-H(P902)	GREEN	HOT TIN DIP (1-2.5 UM).00004-.00010
↑ 2393	↑ C 3H	3	↑	↑	
2394	C 4H	4			
2395	C 5H	5			
2396	C 6H	6			
2397	C 7H	7			
2398	C 8H	8			
2399	C 9H	9			
2400	C10H	10			
2401	C11H	11			
2402	C12H	12			
2403	C13H	13			
2404	C14H	14			
2405	C15H	15			
2406	C16H	16			
2407	C17H	17			
2408	C18H	18			
2409	C19H	19			
2410	C20H	20			
2411	C21H	21			
2412	C22H	22			
2413	C23H	23			
2414	C24H	24			
2415	C25H	25			
2416	C26H	26			
↓ 2417	↓ C27H	27	↓	↓	
38-00- 2418	A-7690S-C28H	28	40125-H(P902)	GREEN	

REVISED EC NO: E2006-0657 DRWN: WASZKI EWI C7 2006/06/06 CHKD: MORIARTY 2006/06/07 APPR: DENNEHY 2006/06/09	QUALITY SYMBOLS ▽=0 ▽=0	GENERAL TOLERANCES (UNLESS SPECIFIED)		DIMENSION STYLE MM ONLY		SCALE ---	DESIGN UNITS METRIC	THIRD ANGLE PROJECTION		
				mm	INCH	DRAWN BY JWP	DATE 1985/12/05	TITLE INSULATION DISPLACEMENT CONNECTOR(2.54)/.100 CRT		
		4 PLACES	±---	±---	±---	CHECKED BY D.MORIARTY	DATE 2006/05/29			
		3 PLACES	±---	±---	±---	APPROVED BY J.DENNEHY	DATE 2006/05/29	MOLEX INCORPORATED DOCUMENT NO. SDA-7690S-*N* SHEET NO. 3 OF 3		
2 PLACES	±---	±---	±---	DRAFT WHERE APPLICABLE MUST REMAIN WITHIN DIMENSIONS		SEE CHART				
1 PLACE	±---	±---	±---	ANGULAR ±---°		SIZE A3		THIS DRAWING CONTAINS INFORMATION THAT IS PROPRIETARY TO MOLEX INCORPORATED AND SHOULD NOT BE USED WITHOUT WRITTEN PERMISSION		