

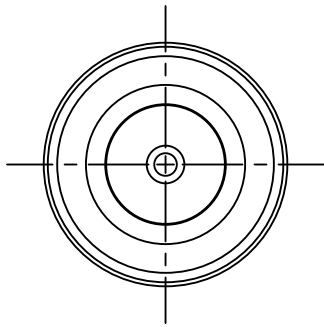
4

3

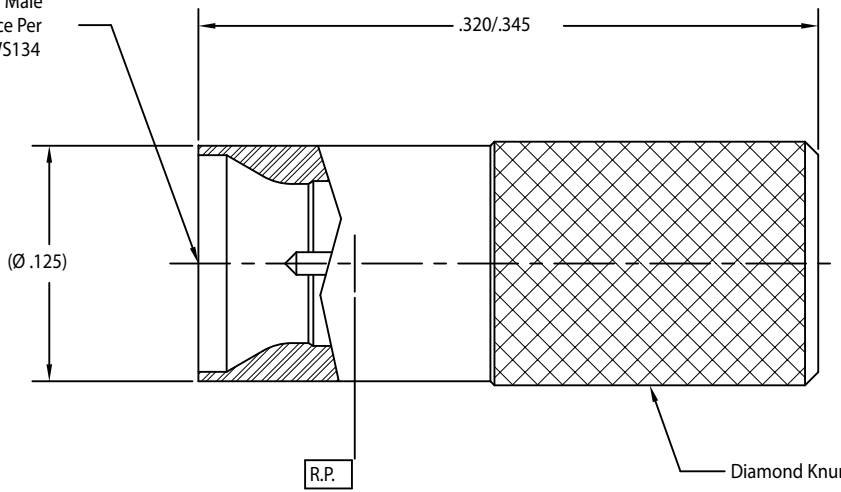
2

1

P/N	INTERFACE(S)
-1CCSF	DETENT
-2CCSF	SMOOTH BORE



SSMP Male
Interface Per
CarlisleIT WS134



Diamond Knurl

R.P.

TITLE			
SSMP Male STRAIGHT			
50 OHM LOAD TERMINATION			
SCALE	SUB-DIRECTORY/FILENAME		
20:1	OLPXXX\OLP110		SHEET of 1 1
SIZE	CAGE CODE	DRAWING NO.	REV.
C	B0990	P110	D

10. REMOVE ALL BURRS.

4

3

2

1

4

3

2

1

D

D

C

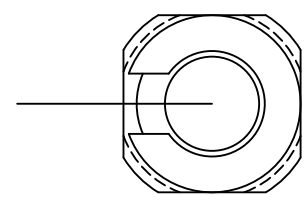
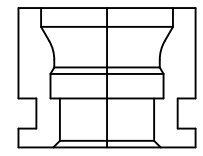
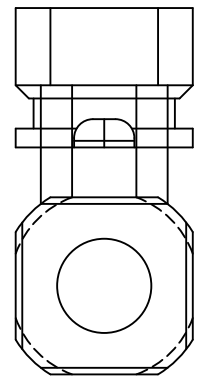
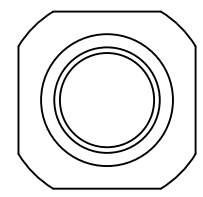
C

B

B

A

A



SCALE		SUB-DIRECTORY/FILENAME		SHEET		REV.	
20:1		_XXXX\XXXXXXXX		of 2		2	
SIZE	CAGE CODE	DRAWING NO.					
C	B0990	XXXX-XXXX-XXXXXXXX					

4

3

2

1

4

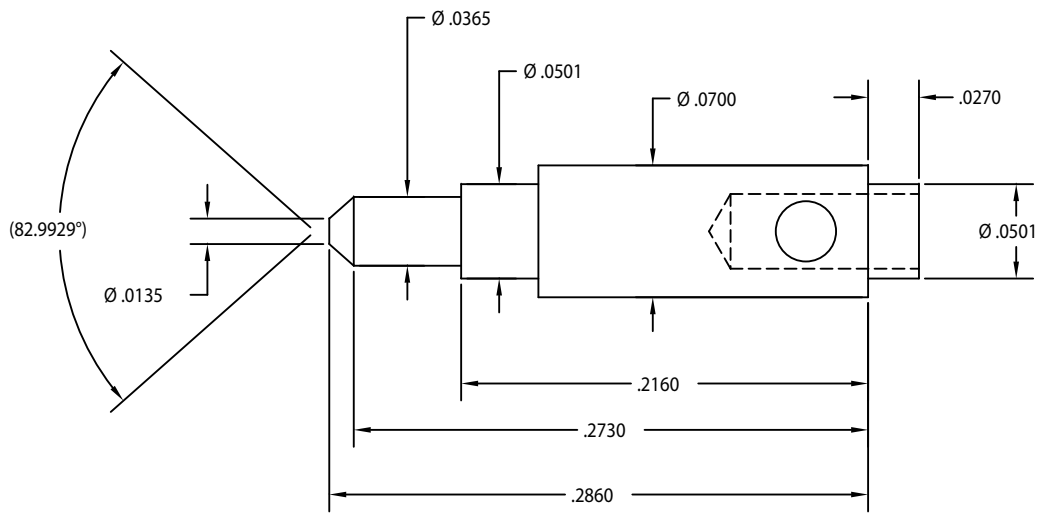
3

2

1

D

D

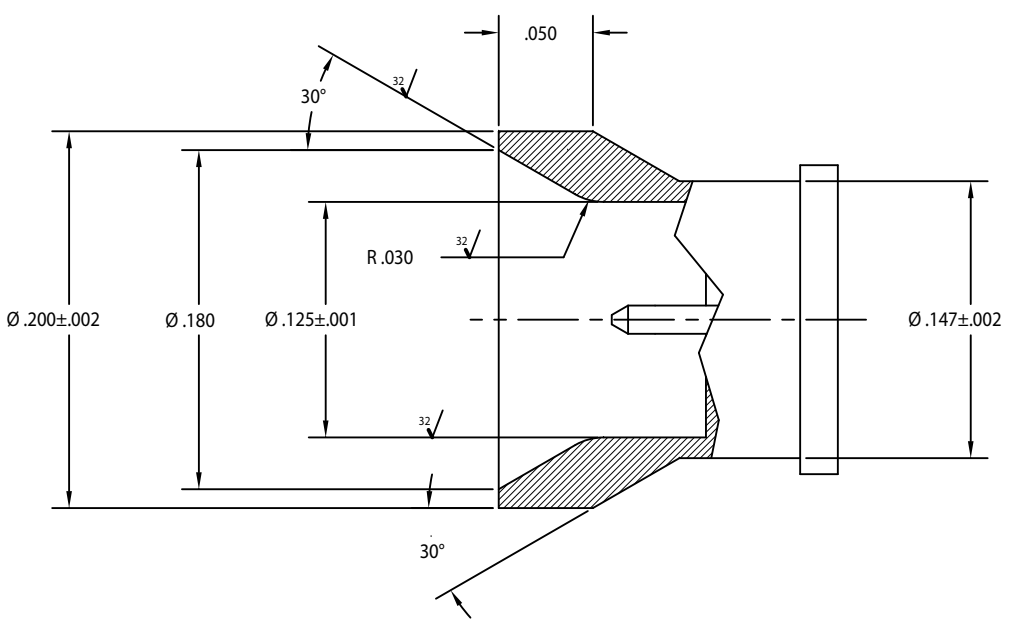


C

C

B

B



A

A

SCALE	SUB-DIRECTORY-FILENAME		SHEET	3
5:1	_XXXX\XXXXXXXX		03	3
SIZE	CAGE CODE	DRAWING NO.	REV.	
C	30990	XXXX-XXXXX-XXXXXXXX	-	

4

3

2

1

4

3

2

1

D

D

C

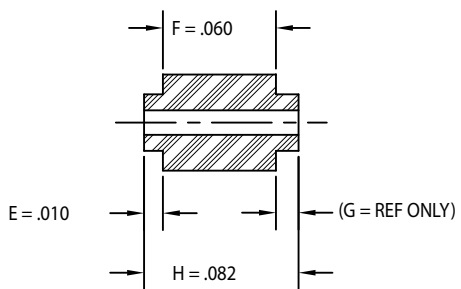
C

B

B

A

A



P/N C3179-28 REV. AH

4

3

2

1

SCALE		SUB-DIRECTORY-FILENAME		SHEET		REV	
5:1		_XXXX\XXXXXXXX		04		4	
SIZE	CAGE CODE	DRAWING NO.					
C	30990	XXX-XXXX-XXXXXXXX					