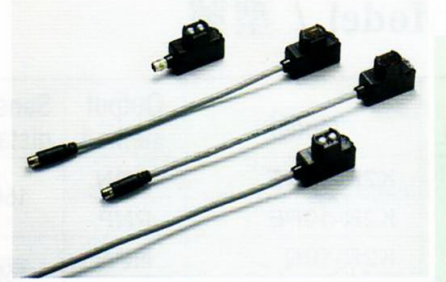


- Multi-fixed method
- Output status : Light ON / Dark ON changeable
- High solid compact construction : IP- 66
- Connection method
 - Lead wire
 - M8 connector
 - Lead wire M8 connector

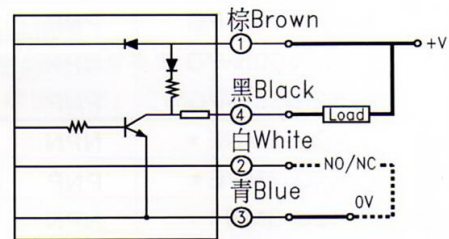


◆ General Specification

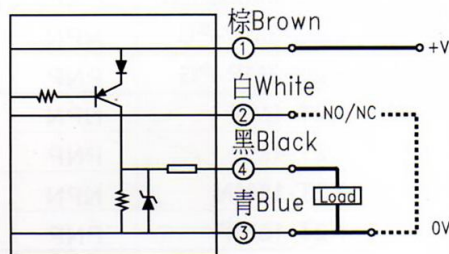
Specification	Data
Operating voltage	10 ~ 30VDC
Ripple of power	20% peak to peak
Output method	NPN or PNP
Output status	Light ON / Dark ON changeable
Output current	150mA max.
Residual voltage	0.1V max.
Leakage current	0.8mA max.
Protection circuit	Short circuit & polarity reversed protection
Housing material	Housing : Intensive PBT ; Lenz : PMMA
Illumination	Lamp light < 10,000Lux ; Sunlight < 20,000Lux
Noise resistance	2kv / 1μs
Dielectric strength	2.5kv / 1 minute min.
Insulation strength	100 MΩ / 500vdc
Operating circumstance	-25°C ~ +80°C ; 35% ~ 85% RH
Protection class	IP-66
Approval	CE / UL / RoHS

Connection diagram

NPN



PNP



Output status

NO : White wire is opened
 NC : White wire is connected to "0V"

◆ Dimension

Lead wire	M8 Lead wire	M8 Connector

M18 Uni-sensor



US Series

Type	Model	Output method	Sensing distance	Connection method	Emitter LED	Sensing adjuster	Response time	Operating	
								Voltage	Current
Diffuse	UR-10N	NPN	100mm	Lead wire	Infrared LED	270° Trimmer	1ms	10~30Vdc	30mA Max.
	UR-10P	PNP							
	UR-30N	NPN	300mm						
	UR-30P	PNP							
	UR-10N-M8	NPN	100mm	M8 Connector					
	UR-10P-M8	PNP							
	UR-30N-M8	NPN	300mm						
	UR-30P-M8	PNP							
	UR-10N-PG	NPN	100mm	M8 Lead wire					
	UR-10P-PG	PNP							
	UR-30N-PG	NPN	300mm						
	UR-30P-PG	PNP							
Retro-reflective	UG-3MNE *	NPN	3.0m	Lead wire	Red LED	Non	1ms	10~30Vdc	25mA Max.
	UG-3MPE *	PNP							
	UG-6MN	NPN	6.0m						
	UG-6MP	PNP							
	UG-3MNE-M8 *	NPN	3.0m	M8 Connector					
	UG-3MPE-M8 *	PNP							
	UG-6MN-M8	NPN	6.0m						
	UG-6MP-M8	PNP							
	UG-6MN-PG	NPN	6.0m	M8 Lead wire					
	UG-6MP-PG	PNP							
	UG-3MNE-PG *	NPN	3.0m						
	UG-3MPE-PG *	PNP							
Thru-beam	UT-6MN	NPN	6.0m	Lead wire	Red LED	270° Trimmer	2ms	10~30Vdc	Emitter <20mA Receiver <20mA.
	UT-6MP	PNP							
	UT-20MN	NPN	20.0m		Infrared LED	Non			
	UT-20MP	PNP							
	UT-6MN-M8	NPN	6.0m	M8 Connector	Red LED	270° Trimmer			
	UT-6MP-M8	PNP							
	UT-20MN-M8	NPN	20.0m	Infrared LED	Non				
	UT-20MP-M8	PNP							
	UT-6MN-PG	NPN	6.0m	M8 Lead wire	Red LED	270° Trimmer			
	UT-6MP-PG	PNP							
	UT-20MN-PG	NPN	20.0m		Infrared LED	Non			
	UT-20MP-PG	PNP							
M18 Nut fixed			Horizontal M3 screw fixed			Vertical M3 screw fixed			

* With Polarized filter

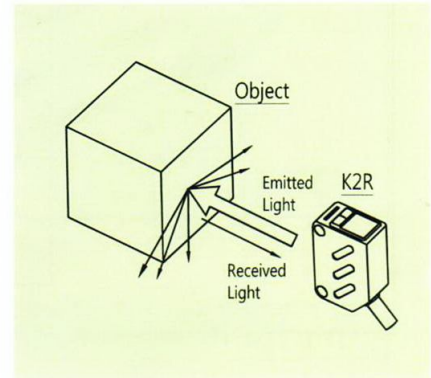
◆ Notice of use / 使用注意事項：

Reflex type / 直接反射型

感測器的發射晶體與接收晶體在同一側，依「被檢測物」反射光強弱或有無來檢測有無「被檢測物」。
A sensor contains both the emitter and the receiver in one housing, It detects the object by the reflected light from the object

Notice of use / 使用注意事項：

1. The size of the detected object / 「被檢測物」的大小
2. The outline of the detected object / 「被檢測物」的形狀
3. The transparency of the detected object / 「被檢測物」的透明度
4. The surface color of the detected object / 「被檢測物」的表面顏色
5. The passing speed of the detected object / 「被檢測物」的通過速度
6. The surface roughness of the detected object / 「被檢測物」的表面粗糙度
7. The space between the detected object and the background / 安裝空間有無背景物
8. The space between the detected object and the detected object / 「被檢測物」連續移動的間隔

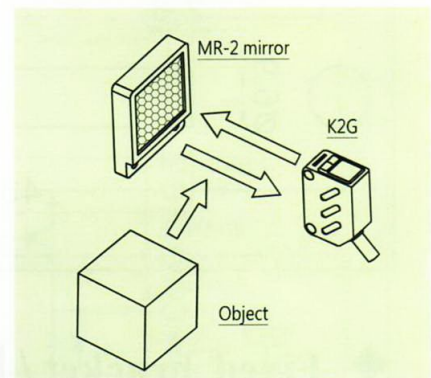


Mirror Reflex type / 鏡片反射型

感測器的發射晶體與接收晶體在同一側，須在感測器對面安裝反射鏡片；當「被檢測物」通過感測器時會遮斷光束即可檢測有無「被檢測物」。
A sensor contains both an emitter and a receiver in one housing and set a mirror on opposed side, It detects the object by the detected object interrupting the beam.

Notice of use / 使用注意事項：

1. The size of the detected object / 「被檢測物」的大小
2. The outline of the detected object / 「被檢測物」的形狀
3. The transparency of the detected object / 「被檢測物」的透明度
4. The shiny surface of the detected object / 「被檢測物」的表面亮度
5. The passing speed of the detected object / 「被檢測物」的通過速度
6. The space between the detected object and the detected object / 「被檢測物」連續移動的間隔

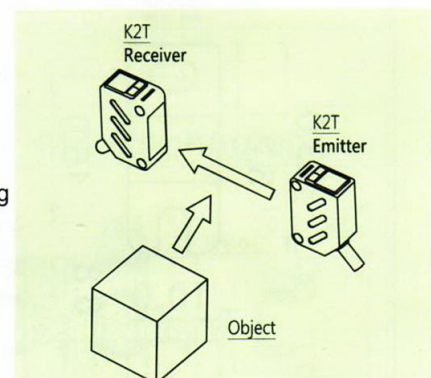


Thru Beam type / 透過型

感測器分成發射器與接收器相對安裝；當「被檢測物」通過感測器時會遮斷光束即可檢測有無「被檢測物」。
A sensor is separated to an emitter and a receiver that are positioned opposite each other, It detects the object by the detected object interrupting the beam.

Notice of use / 使用注意事項：

1. The size of the detected object / 「被檢測物」的大小
2. The outline of the detected object / 「被檢測物」的形狀
3. The transparency of the detected object / 「被檢測物」的透明度
4. The passing speed of the detected object / 「被檢測物」的通過速度
5. The space between the detected object and the detected object / 「被檢測物」連續移動的間隔



◆ Mirror/反射鏡片

Mirror / MR-1	Mirror / MR-2	Mirror / MR-3	Mirror / MR-4

◆ Connection cable

M8-4C-□M	<table border="1"> <thead> <tr> <th>4P PLUG</th> <th>COLOR</th> </tr> </thead> <tbody> <tr> <td>1</td> <td>BROWN</td> </tr> <tr> <td>2</td> <td>WHITE</td> </tr> <tr> <td>3</td> <td>BLUE</td> </tr> <tr> <td>4</td> <td>BLACK</td> </tr> </tbody> </table> <table border="1"> <thead> <tr> <th>規格</th> <th>"A"</th> <th>"B"</th> <th>"C"</th> </tr> </thead> <tbody> <tr> <td>M8-3m</td> <td>3m</td> <td>50±3mm</td> <td>5±1mm</td> </tr> <tr> <td>M8-5m</td> <td>5m</td> <td>50±3mm</td> <td>5±1mm</td> </tr> </tbody> </table>	4P PLUG	COLOR	1	BROWN	2	WHITE	3	BLUE	4	BLACK	規格	"A"	"B"	"C"	M8-3m	3m	50±3mm	5±1mm	M8-5m	5m	50±3mm	5±1mm	
4P PLUG	COLOR																							
1	BROWN																							
2	WHITE																							
3	BLUE																							
4	BLACK																							
規格	"A"	"B"	"C"																					
M8-3m	3m	50±3mm	5±1mm																					
M8-5m	5m	50±3mm	5±1mm																					
M12-□M	<table border="1"> <thead> <tr> <th>4P PLUG</th> <th>COLOR</th> </tr> </thead> <tbody> <tr> <td>1</td> <td>BROWN</td> </tr> <tr> <td>2</td> <td>WHITE</td> </tr> <tr> <td>3</td> <td>BLUE</td> </tr> <tr> <td>4</td> <td>BLACK</td> </tr> </tbody> </table> <table border="1"> <thead> <tr> <th>規格</th> <th>"A"</th> <th>"B"</th> <th>"C"</th> </tr> </thead> <tbody> <tr> <td>M12-3m</td> <td>3m</td> <td>50±3mm</td> <td>5±1mm</td> </tr> <tr> <td>M12-5m</td> <td>5m</td> <td>50±3mm</td> <td>5±1mm</td> </tr> </tbody> </table>	4P PLUG	COLOR	1	BROWN	2	WHITE	3	BLUE	4	BLACK	規格	"A"	"B"	"C"	M12-3m	3m	50±3mm	5±1mm	M12-5m	5m	50±3mm	5±1mm	
4P PLUG	COLOR																							
1	BROWN																							
2	WHITE																							
3	BLUE																							
4	BLACK																							
規格	"A"	"B"	"C"																					
M12-3m	3m	50±3mm	5±1mm																					
M12-5m	5m	50±3mm	5±1mm																					
M12-L□M	<table border="1"> <thead> <tr> <th>4P PLUG</th> <th>COLOR</th> </tr> </thead> <tbody> <tr> <td>1</td> <td>BROWN</td> </tr> <tr> <td>2</td> <td>WHITE</td> </tr> <tr> <td>3</td> <td>BLUE</td> </tr> <tr> <td>4</td> <td>BLACK</td> </tr> </tbody> </table> <table border="1"> <thead> <tr> <th>規格</th> <th>"A"</th> <th>"B"</th> <th>"C"</th> </tr> </thead> <tbody> <tr> <td>M12-L3m</td> <td>3m</td> <td>50±3mm</td> <td>5±1mm</td> </tr> <tr> <td>M12-L5m</td> <td>5m</td> <td>50±3mm</td> <td>5±1mm</td> </tr> </tbody> </table>	4P PLUG	COLOR	1	BROWN	2	WHITE	3	BLUE	4	BLACK	規格	"A"	"B"	"C"	M12-L3m	3m	50±3mm	5±1mm	M12-L5m	5m	50±3mm	5±1mm	
4P PLUG	COLOR																							
1	BROWN																							
2	WHITE																							
3	BLUE																							
4	BLACK																							
規格	"A"	"B"	"C"																					
M12-L3m	3m	50±3mm	5±1mm																					
M12-L5m	5m	50±3mm	5±1mm																					