

Product Selector Guide

LED Bus Lighting

MARKER LAMPS



Dialight Corporation

1501 Route 34 South • Farmingdale, NJ 07727 USA

Tel: (1) 732-919-3119 • Fax: (1) 732-751-5778

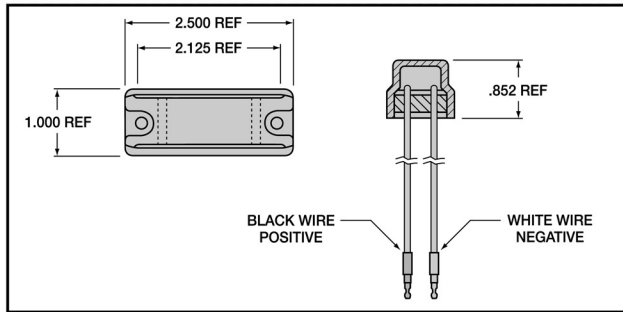
www.dialight.com



MBTBMLX001_B

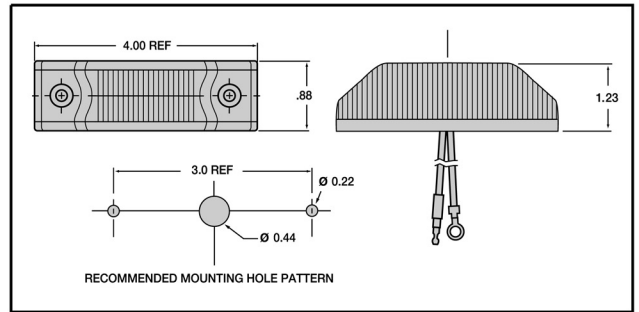
Dialight MARKER LAMPS FOR BUS APPLICATIONS

13 Series Fig. 1



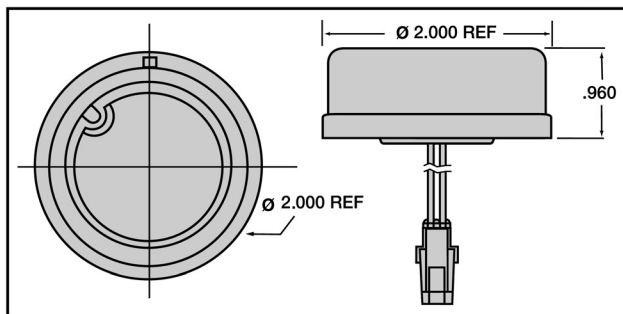
Smallest LED lamp available
Low current draw

15 Series Fig. 2



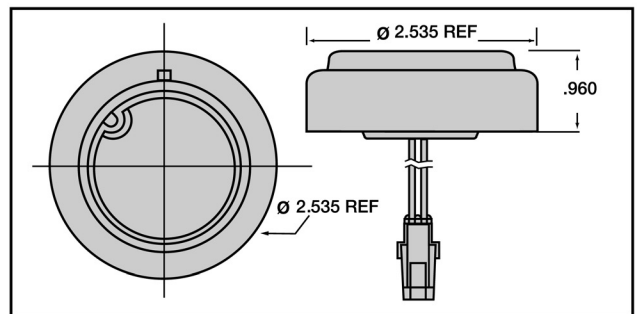
Includes mounting gasket
Surface mount
Branch deflector available
Available in 12V and 24V

16 Series Fig. 3



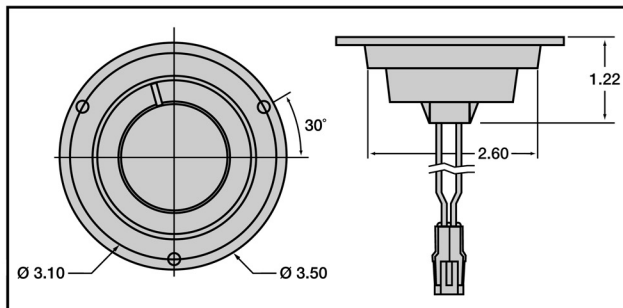
2" Round
Fits industry standard grommets
Surface mount adapter available
L bracket available
Available in 12V and 24V

17 Series Fig. 4



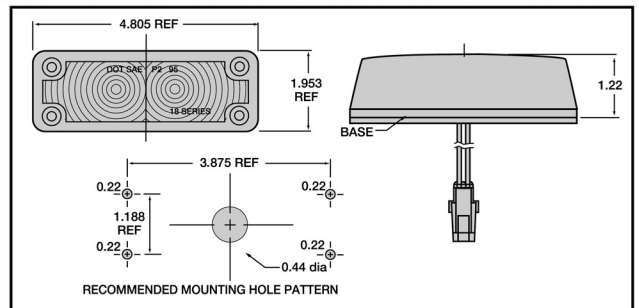
2 1/2" Round
Fits industry standard grommets
Surface mount adapter available
L bracket available
Available in 12V and 24V

17 Series Flange Fig. 5



2 1/2" Round Lens
Flange mounted
Available in 12V and 24V

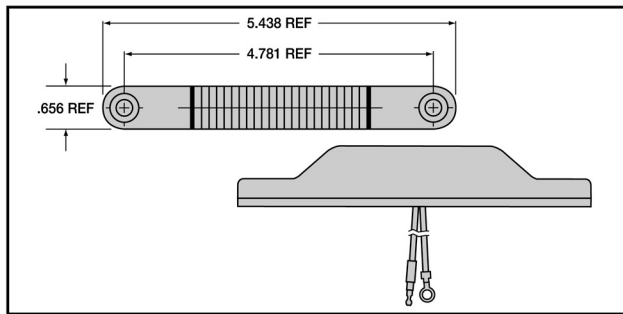
18 Series Fig. 6



Surface mount
0° to 30° mounting
Includes mounting gasket/screws
Branch deflector available
Available in 12V and 24V

19 Series

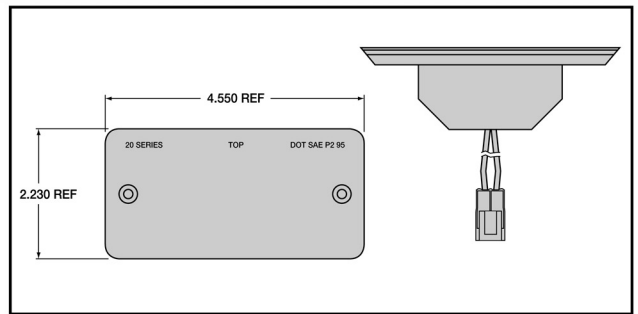
Fig. 7



Thinnest marker lamp available
Fits narrow applications

20 Series

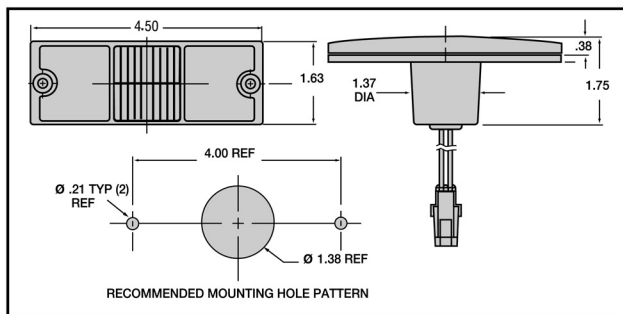
Fig. 8



Available in Amber only
For recessed mounting on a 25° to 37° slope
Available in 12V and 24V

45 Series

Fig. 9



Includes mounting gasket
Sealed acrylic lens/ABS housing
Flush mount
Special mounting angles available
Available in 12V and 24V

Features

- 6" integral 18 AWG wire leads with Packard Weather-Pack, except 13, 15 and 19 series
- Specially designed for bus applications
- Long life
- Sealed polycarbonate assembly (except 45 Series-Acrylic)
- Reduced current draw
- Most available in 24V versions

MARKER LAMPS FOR BUS APPLICATIONS

Part No.	Description	Figure
13001AB	Mini Marker, Amber with 2 - .180 bullet termination	1
13001RB	Mini Marker, Red with 2 - .180 bullet termination	1
15001AB	Slimline Marker, Amber with .180 bullet and ring terminal	2
15001RB	Slimline Marker, Red with .180 bullet and ring terminal	2
15003AB	Slimline Marker, Amber, 24V, with .180 bullet and ring terminal	2
15003RB	Slimline Marker, Red, 24V, with .180 bullet and ring terminal	2
16001AB	2 Inch Round Marker, Amber	3
16001RB	2 Inch Round Marker, Red	3
16003AB	2 Inch Round Marker, Amber, 24V	3
16003RB	2 Inch Round Marker, Red, 24V	3
17001AB	2 1/2 Inch Round Marker, Amber	4
17001RB	2 1/2 Inch Round Marker, Red	4
17003AB	2 1/2 Inch Round Marker, Amber, 24V	4
17003RB	2 1/2 Inch Round Marker, Red, 24V	4
17081AB	2 1/2 Inch Round Black Flanged Marker, Amber	5
17081RB	2 1/2 Inch Round Black Flanged Marker, Red	5
17083AB	2 1/2 Inch Round Black Flanged Marker, Amber, 24V	5
17083RB	2 1/2 Inch Round Black Flanged Marker, Red, 24V	5
18001AB	Rectangular Marker, Amber	6
18001GB	Rectangular Door Indicator, Green	6
18001RB	Rectangular Marker, Red	6
18011AB	Rectangular Marker, Amber, 24V	6
18011GB	Rectangular Door Indicator, Green, 24V	6
18011RB	Rectangular Marker, Red, 24V	6
19001AB	Ultra Thinline Marker, Amber, with .180 bullet and ring terminal	7
19001RB	Ultra Thinline Marker, Red, with .180 bullet and ring terminal	7
20001AB	Flush Mount Roof Marker, to Mounting Slope, Amber	8
20003AB	Flush Mount Roof Marker, to Mounting Slope, Amber, 24V	8
45001AB	Recess Mount Marker, Amber	9
45001RB	Recess Mount Marker Up to 10 lope, Red	9
45003AB	Recess Mount Marker, Amber, 24V	9
45003RB	Recess Mount Marker Up to 10 lope, Red, 24V	9
45021RB	Recess Mount Marker to Slope, Red	9
45023RB	Recess Mount Marker to 30 lope, Red, 24V	9

*12 volts, unless otherwise specified. Include integral wiring with Packard Connectors unless noted

ACCESSORIES

Part No.	Description
91502A	15 Series Aluminum Armor Guard
91601A	16 Series Mounting Grommet
91701A	17 Series Mounting Grommet
91802A	18 Series Aluminum Armor Guard
94012B	3 Position Packard Connector Kit, Male Connector, Female Terminals
94012C	3 Position Packard Connector Kit, Female Connector, Male Terminals
94511B	2 Position Packard Connector Kit, Male Connector, Female Terminals
94511C	2 Position Packard Connector Kit, Female Connector, Male Terminals

*See Dialight warranty statement for details.